
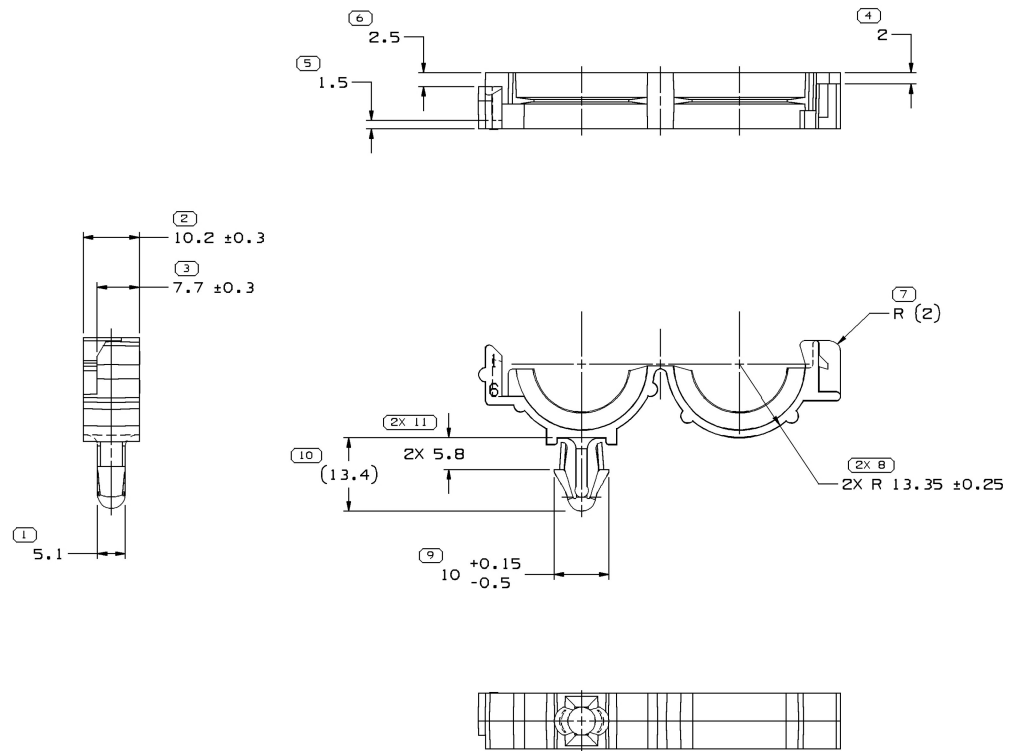


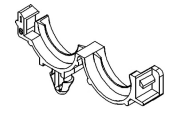
SYMBOL DEFINITION		MISSING SYMBOLS	
A DIMENSION WITHOUT AN INSPECTION REPORT SYMBOL  DOES NOT REQUIRE INSPECTION, IT MAY BE CONTROLLED ON THE INDIVIDUAL COMPONENT DRAWING.	TOTAL NO OF INSPECTIONS REQUIRED	13	NO MISSING SYMBOL NUMBER
	LAST NO. USED	11	

DWG STATUS				ZONE	REVISION HISTORY	AUTH	DR
DATE	STG	REV	N/P				
27JA05	R	04	-	-	CLEARED REVISION COLUMN, REDRAWN TO PD, UPDATED NOTES & MATERIAL SPEC	263894	GPS
22APOS	R	05	-	-	08911294 - UPDATED PDM ATTRIBUTES	267400	HAM
19JN06	R	06	-	-	ALL PARTS - UPDATED RECYCLING NOTE	281682	JTZ



NOTES

- UNLESS OTHERWISE SPECIFIED AND/OR INDICATED:
DIMENSIONS ARE TO FACE OF VIEW SHOWN AND AUTOMATICALLY ROUNDED BY COMPUTER FOR INSPECTION (SEE MATH MODEL FOR PRECISE DIMENSIONS). FOR ALL OTHER DIMENSIONS NOT SHOWN BUT REQUIRED FOR TOOL BUILD, SEE MATH MODEL FOR PRECISE TOOL PATH DATA.
- MATERIAL RECYCLING CODE PER ISO 11469. (2.3)X(0.1) CHARACTERS AS SHOWN TO BE LOCATED ON ANY EXTERIOR SURFACE. OPTIONAL CONSTRUCTION TO BE NO MATERIAL RECYCLING CODE.
- (2.3)X(0.1) DELPHI CORPORATE BRAND TO BE LOCATED ON ANY EXTERIOR SURFACE, PREFERABLY VISIBLE AT FINAL ASSEMBLY. OPTIONAL CONSTRUCTION FOR EXISTING TOOLING MAY BE "PED".
- THIS PART TO FIT 16MM (1.625) I.D. CONVOLUTED CONDUIT.
- RECOMMENDED HOLE SIZE FOR CLIP 6.6-6.1 DIA HOLE IN 3.8 MAX. THICK STOCK



DWG TYPE PART DRAWING	
STYLE	
VOLUME (CM³) SEE CHART	DISTR CODE D
UNLESS OTHERWISE SPECIFIED THIS DOCUMENT IS IN ACCORDANCE WITH ASME Y14.5M-1994 AS AMENDED BY THE 3D GLOBAL DIMENSIONING AND TOLERANCING ADDENDUM-2001. SEPARATE PATTERNS OF FEATURES MAY BE BAIRED SEPARATELY REGARDLESS OF DATUM REFERENCES.	
ALL DIMENSIONS ARE IN MILLIMETERS	
REFERENCE	
THIRD ANGLE PROJECTION	DO NOT SCALE
USE MATH DATA	UNIGRAPHICS

2 PROCESS SENSITIVE DIMENSION	
DIMENSIONS ENCLOSED IN () INDICATE REFERENCE DIMENSIONS AND NO TOLERANCE LIMITS ARE ESTABLISHED	
DIMENSIONAL RANGE (MM)	CHART ET
FROM > 0 > 20 > 30 > 70 > 100 > 150 > 200 > 250 > 300 > 400	1 2 3 4 5 6 7 8 9 10
TOLERANCE UNLESS OTHERWISE SPECIFIED	
±0.15 ±0.2 ±0.3 ±0.4 ±0.5 ±0.6 ±0.8 ±1 ±1.2	
ANGULAR TOLERANCE ±°	

PART NO	REV	N/P	STATUS	MATERIAL SPECIFICATION AND COLOR	VOLUME (CM³)
15336101	A3	-	-	M2097003 PP IM GRA	2.299
08911294	D3	-	-	M2097001 PP IM BLK	2.299

DELPHI
DELPHI PACKARD ELECTRIC SYSTEMS
WARREN, OH

DR	
APV01	E. MARAVER L. 261
APV02	OSCAR OCHOA 281
APV03	E. TRACEY 051
APV04	
APV05	

SUBSTANCES OF CONCERN AND RECYCLED CONTENT PER DELPHI 10949001

MATERIAL SEE CHART

DRAWING NAME
TAXI MOUN CLIP CDT ROSEBU

DRAWING NUMBER
15336151

SIZE	SCALE	FRAME NO	SHEET NO	STG
A1	2:1	1 OF 1	1 OF 1	R

X-ON Electronics

Largest Supplier of Electrical and Electronic Components

Click to view similar products for [Automotive Connectors](#) category:

Click to view products by [APTIV](#) manufacturer:

Other Similar products are found below :

[003-018-000](#) [60993906-B](#) [72.330.1035.1](#) [73.353.4028.0](#) [F358300-B](#) [F407400](#) [776880-1](#) [827153-1](#) [8N1515-32-24P](#) [9-1326729-8](#) [925474-1](#)
[928905-1](#) [964562-4](#) [968782-1](#) [98891-1012](#) [12004475-L](#) [12041318-B](#) [12052466](#) [12015909](#) [1-21030-1](#) [12041318](#) [12047957](#) [12185550](#)
[12336-12](#) [12147304](#) [13681974](#) [13755420](#) [13783086](#) [13832576](#) [13542772](#) [1393425-2](#) [13964573](#) [1428188-1](#) [1437287-3](#) [1438231-5](#)
[1428188-2](#) [DS07-19S-5020](#) [1456983-5](#) [1456987-7](#) [APD-7CP-H](#) [APK-SB25A10L](#) [1452931-2](#) [15317331](#) [15435215](#) [15491972](#) [15305306](#)
[15396680](#) [15470590](#) [15522351](#) [1719636-1](#)