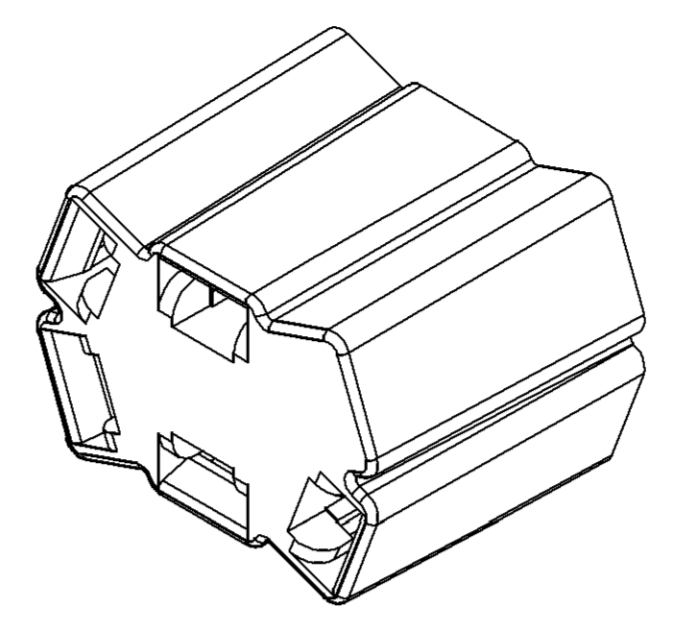
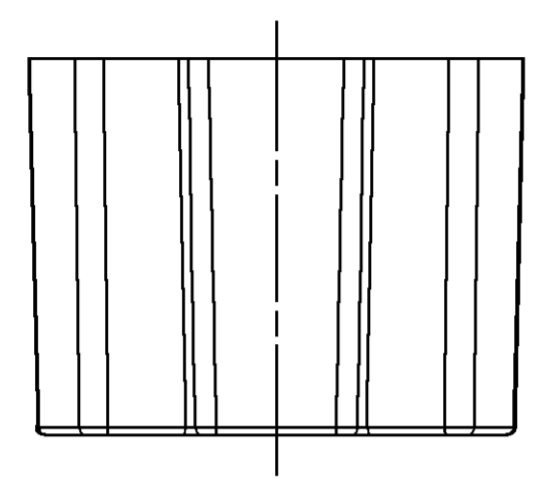
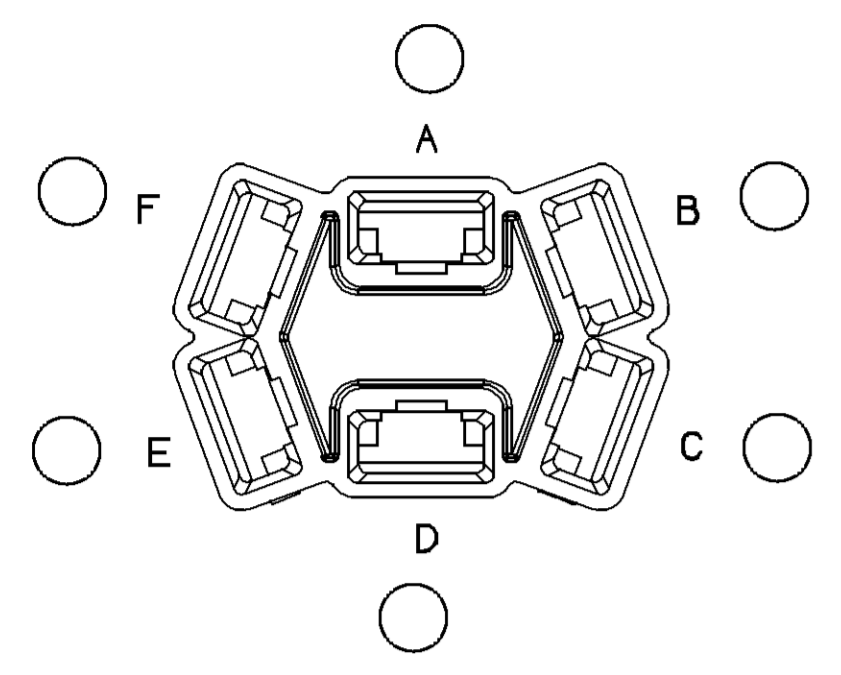
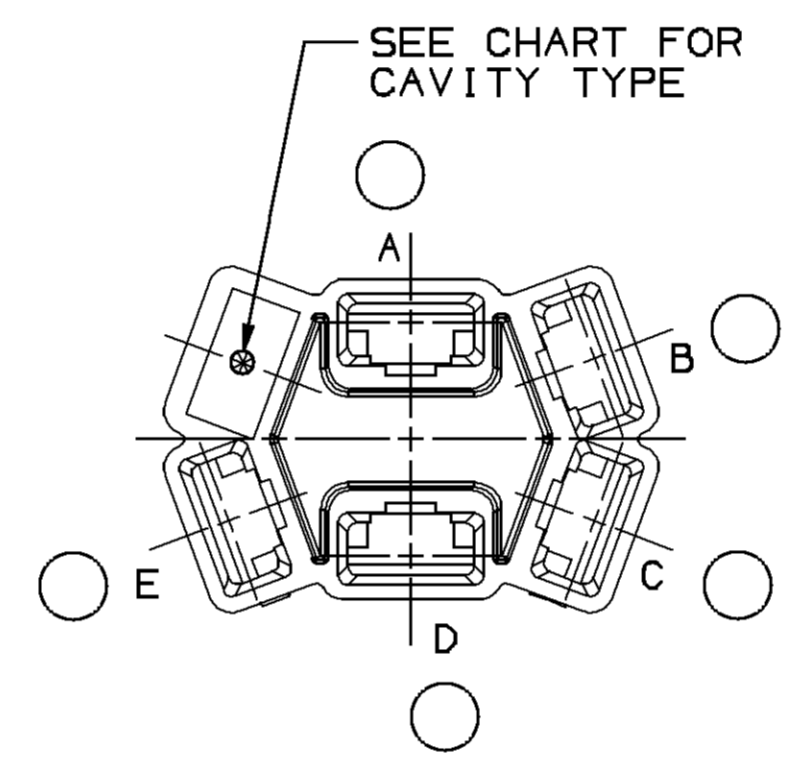
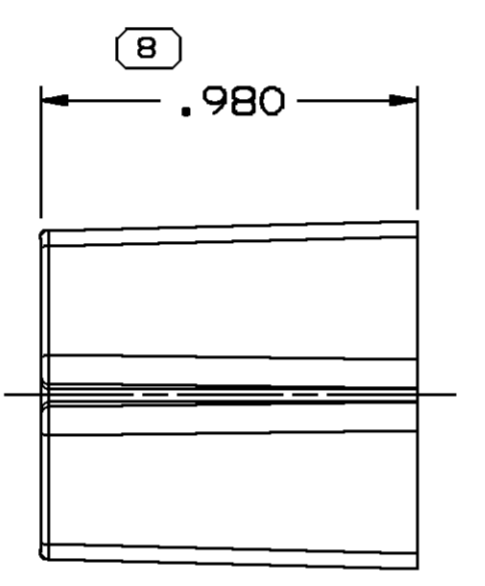
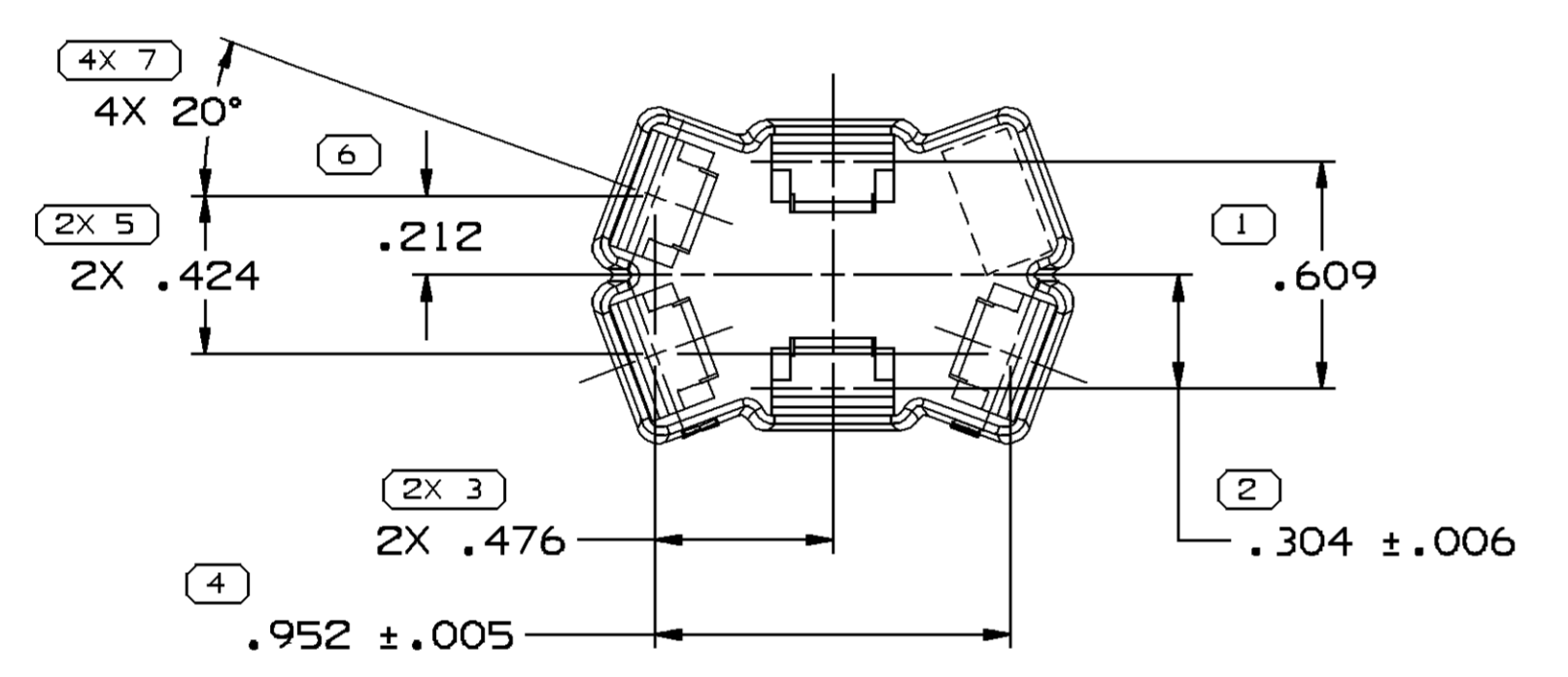


SYMBOL DEFINITION		MISSING SYMBOLS	
A DIMENSION WITHOUT AN INSPECTION REPORT SYMBOL DOES NOT REQUIRE INSPECTION. IT MAY BE CONTROLLED ON THE INDIVIDUAL COMPONENT DRAWING.	TOTAL NO OF INSPECTIONS REQUIRED	NO MISSING SYMBOL NUMBER	13
	LAST NO. USED		8

DWG STATUS					REVISION HISTORY				AUTH	DR	APVD1	APVD2
DATE	STG	REV	N/P	CHG	ZONE							
04FE03	R	01	-	-		CREATED PD		236282	LEG	LEG	ET	
06MR03	R	02	-	-		ALL PARTS - ADDED VIEW AND COLUMN HEADER		237476	LEG	LEG	ET	
01N005	R	03	-	-		ALL PARTS - REDRAWN TO LATEST PD STANDARDS		274072	AMG	AMG	ET	
010C10	R	04	-	-		ALL PARTS - ADDED CAVITY ID NOTE AND CAVITY ID SYMBOLS		412149	ACR	JAA	RRR	

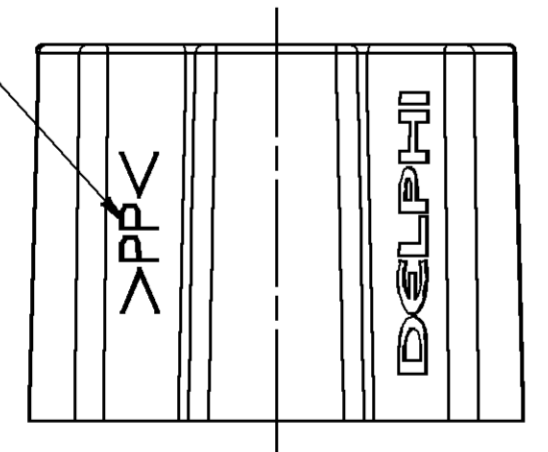


TYPE 102  
SAME AS TYPE 101  
EXCEPT AS SHOWN



TYPE 101

MATERIAL RECYCLING CODE  
OPTIONAL



NOTES

- UNLESS OTHERWISE SPECIFIED AND/OR INDICATED:  
DIMENSIONS ARE TO FACE OF VIEW SHOWN AND AUTOMATICALLY ROUNDED BY COMPUTER FOR INSPECTION (SEE MATH MODEL FOR PRECISE DIMENSIONS). FOR ALL OTHER DIMENSIONS NOT SHOWN BUT REQUIRED FOR TOOL BUILD, SEE MATH MODEL FOR PRECISE TOOL PATH DATA.
- MATERIAL RECYCLING CODE PER ISO 11469. (.100)X(.010) RAISED CHARACTERS AS SHOWN TO BE LOCATED ON ANY EXTERIOR SURFACE. OPTIONAL CONSTRUCTION TO BE NO MATERIAL RECYCLING CODE.
- (.075)X(.010) RAISED DELPHI CORPORATE BRAND TO BE LOCATED ON ANY EXTERIOR SURFACE, PREFERABLY VISIBLE AT FINAL ASSEMBLY. OPTIONAL CONSTRUCTION TO BE "PED" OR NO LOGO.
- FOR APPLICATION DATA SEE THE INDIVIDUAL APPLICATION DRAWINGS.
- CAVITY IDENTIFICATION IS NOT ON PARTS, IT IS JUST SHOWN AS REFERENCE.
- THIS PRODUCT IS NOT CATEGORIZED AS AN APPEARANCE ITEM, MINOR IMPERFECTIONS INCLUDING, BUT NOT LIMITED TO, FLOW MARKS, COLOR BLEMISHES, GATE VESTIGE, AND SOFT FLASH THAT DO NOT AFFECT THE FIT, FORM, OR FUNCTION OF THE PART ARE PERMISSIBLE PER DPNP-4.7-CS-01.

PART NO	REV	N/P	STATUS	MATERIAL SPECIFICATION AND COLOR	TYPE	CAVITIES	CAVITY	VOLUME CM³
12052978	03	AC	-	POLYPROPYLENE COMPOUND NATURAL	102	6	TERMINAL HOLDING	6.643
08911352	03	AC	-	POLYPROPYLENE COMPOUND BLACK	101	5	FLASHED	6.505

DIMENSIONAL RANGE (IN)		CHART	H
FROM	0	>.750	>1.250
TO	.750	1.250	2.750
		2.750	4.000
		>4.000	

TOLERANCE UNLESS OTHERWISE SPECIFIED  
 ±.005 | ±.010 | ±.012 | ±.016 | ±.020  
 ANGULAR TOLERANCE ±2°

DWG TYPE PART DRAWING	
STYLE	
VOLUME (CM³) SEE CHART	DISTR CODE D
UNLESS OTHERWISE SPECIFIED THIS DOCUMENT IS IN ACCORDANCE WITH ASME Y14.5M-1994 AS AMENDED BY THE 0M GLOBAL DIMENSIONS AND TOLERANCING ADDENDUM-2001. SEPARATE PATTERNS OF FEATURES MAY BE GAGED SEPARATELY REGARDLESS OF DATUM REFERENCES.	
ALL DIMENSIONS ARE IN INCHES	
THIRD ANGLE PROJECTION	DO NOT SCALE
USE MATH DATA	NX

<b>DELPHI</b>	
DELPHI PACKARD ELECTRICAL/ELECTRONIC ARCHITECTURE WARREN, OH	
DR	DATE
APVD1 L. GARAY	04FE03
APVD2 L. GARAY	04FE03
APVD3 E. TRACEY	04FE03
APVD4	
APVD5	
SUBSTANCES OF CONCERN AND RECYCLED CONTENT PER DELPHI 10949001	
MATERIAL SEE CHART	
DRAWING NAME TAXI CONN F 56 SERIES	
DRAWING NUMBER 12059295	
SIZE A1	SCALE 2:1
FRAME NO 1 OF 1	SHEET NO 1 OF 1
STG R	REV 04
N/P	

## X-ON Electronics

Largest Supplier of Electrical and Electronic Components

*Click to view similar products for [Automotive Connectors](#) category:*

*Click to view products by [APTIV](#) manufacturer:*

Other Similar products are found below :

[003-018-000](#) [60403001](#) [60993906-B](#) [629515004020001](#) [M902-2131](#) [M902-2161](#) [72.330.1035.1](#) [73.353.4028.0](#) [F119300-B](#) [F166900](#)  
[F258300-B](#) [F358300-B](#) [F407400](#) [F444110](#) [F487000](#) [F509500B-B](#) [827153-1](#) [8N1515-32-24P](#) [9-1326729-8](#) [925474-1](#) [928905-1](#) [964562-4](#)  
[968782-1](#) [GT17SA-8DS-HU](#) [98891-1012](#) [98947-1016](#) [12004475-L](#) [12010290](#) [12010309-B](#) [12015454](#) [12020219-B](#) [12020308](#) [12041318-B](#)  
[12052225-L](#) [12052466](#) [12059125](#) [12064869](#) [12004327-B](#) [12010503-B](#) [12015308](#) [12015384](#) [12015909](#) [1-21030-1](#) [12041254](#) [12041318](#)  
[12047946-B](#) [12047957](#) [12047957-L](#) [12059473](#) [12066261](#)