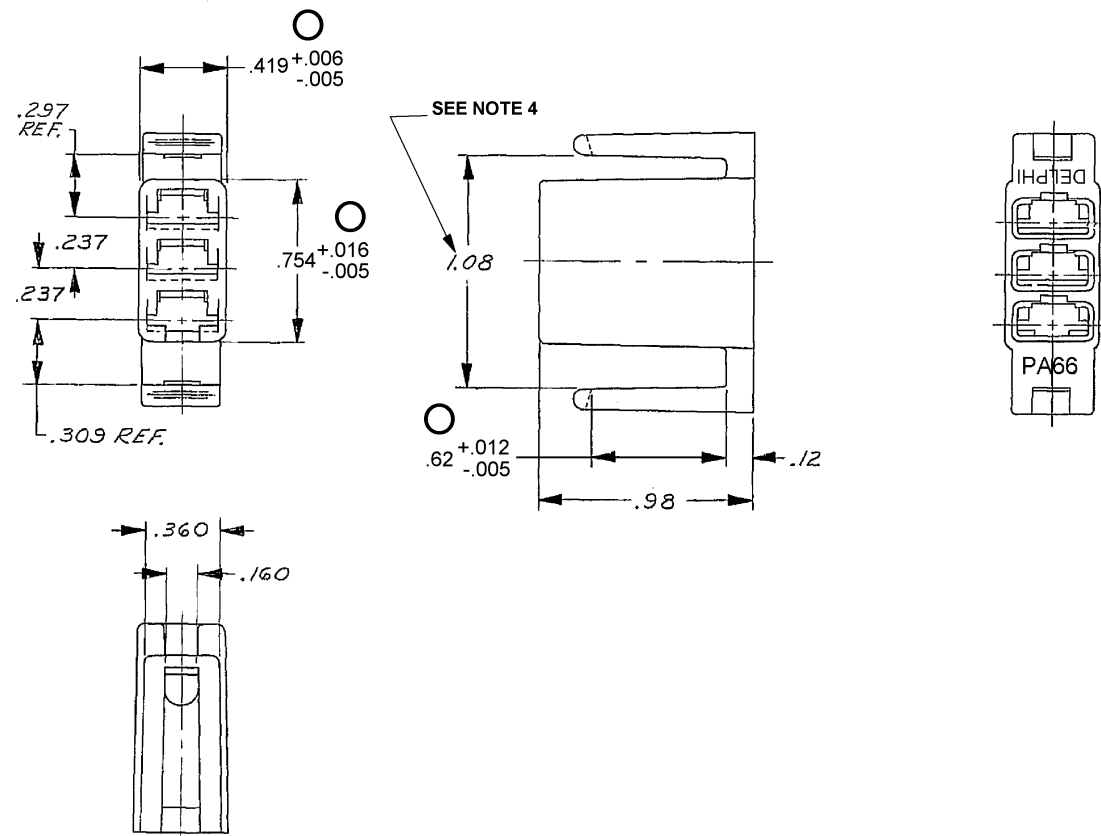


DELPHI PACKARD ELECTRIC SYSTEMS  
WARREN, OHIO 44486

DWG STATUS					ZONE	REVISION HISTORY				AUTH	DR	CK	APVD
DATE	STG	REV	N/P	CHG									
30AP01	R	C1	-	-		MAT'L SPEC WAS R0071754 PA6 HS IM BLK				216591	RVP	RVP	EM
03MY06	R	C2	-	-		REVISED TOLS (3 PLCS) AND ADDED NOTE #4				280164	MDH	JAA	EST



NOTES

- UNLESS OTHERWISE SPECIFIED AND/OR INDICATED: DIMENSIONS ARE TO FACE OF VIEW SHOWN AND AUTOMATICALLY ROUNDED BY COMPUTER FOR INSPECTION (SEE MATH MODEL FOR PRECISE DIMENSIONS). FOR ALL OTHER DIMENSIONS NOT SHOWN BUT REQUIRED FOR TOOL BUILD, SEE MATH MODEL FOR PRECISE TOOL PATH DATA.
- MATERIAL RECYCLING CODE PER ISO 11469 (.100)X(.010) RAISED CHARACTERS AS SHOWN TO BE LOCATED ON ANY EXTERIOR SURFACE. OPTIONAL CONSTRUCTION TO BE NO MATERIAL RECYCLING CODE.
- (.100)X(.010) RAISED DELPHI CORPORATE BRAND TO BE LOCATED ON ANY EXTERIOR SURFACE, PREFERABLY VISIBLE AT FINAL ASSEMBLY. OPTIONAL CONSTRUCTION TO BE "PED" OR NO LOGO.
- 1.08 DIMENSION MAY GO TO 1.050 DUE TO BOWING OF LOCKING ARMS.

PART DRAWING	
STYLE	N/A
VOLUME (CM) <sup>3</sup>	N/A
ROUTING	6900
DISTR CODE	D
REFERENCE	
DO NOT SCALE	CAD SE SOLID EDGE

TOLERANCE UNLESS OTHERWISE SPECIFIED:  
DECIMALS: TWO PLACE ±.01  
THREE PLACE ±.005

DELPHI			
DELPHI PACKARD ELECTRIC SYSTEMS WARREN, OH			
DR:	T. MUDREY	DATE	20SE72
APVD1:	HUFFORD		20SE72
APVD2:	CHUPAK		21SE72
APVD3:	PESINA		21SE72
APVD4:			
APVD5:			
SUBSTANCES OF CONCERN AND RECYCLED CONTENT PER DELPHI - A 10949001			
MATERIAL M3592001-PA66 HS IM BLK			
DRAWING NAME CONN 3F 56 SER LK TYPE			
DRAWING NUMBER <b>08911755</b>			
SIZE	SCALE	FRAME NO	SHEET NO
A1	4:1	1 OF 1	1 OF 1
STG	REV	N/P	
R	C2	-	

## X-ON Electronics

Largest Supplier of Electrical and Electronic Components

*Click to view similar products for [Automotive Connectors](#) category:*

*Click to view products by [APTIV](#) manufacturer:*

Other Similar products are found below :

[003-018-000](#) [60403001](#) [60993906-B](#) [629515004020001](#) [M902-2131](#) [M902-2161](#) [72.330.1035.1](#) [73.353.4028.0](#) [F119300-B](#) [F166900](#)  
[F258300-B](#) [F358300-B](#) [F407400](#) [F444110](#) [F487000](#) [F509500B-B](#) [827153-1](#) [8N1515-32-24P](#) [9-1326729-8](#) [925474-1](#) [928905-1](#) [964562-4](#)  
[968782-1](#) [GT17SA-8DS-HU](#) [98891-1012](#) [98947-1016](#) [12004475-L](#) [12010290](#) [12010309-B](#) [12015454](#) [12020219-B](#) [12020308](#) [12041318-B](#)  
[12052225-L](#) [12052466](#) [12059125](#) [12064869](#) [12004327-B](#) [12010503-B](#) [12015308](#) [12015384](#) [12015909](#) [1-21030-1](#) [12041254](#) [12041318](#)  
[12047946-B](#) [12047957](#) [12047957-L](#) [12059473](#) [12066261](#)