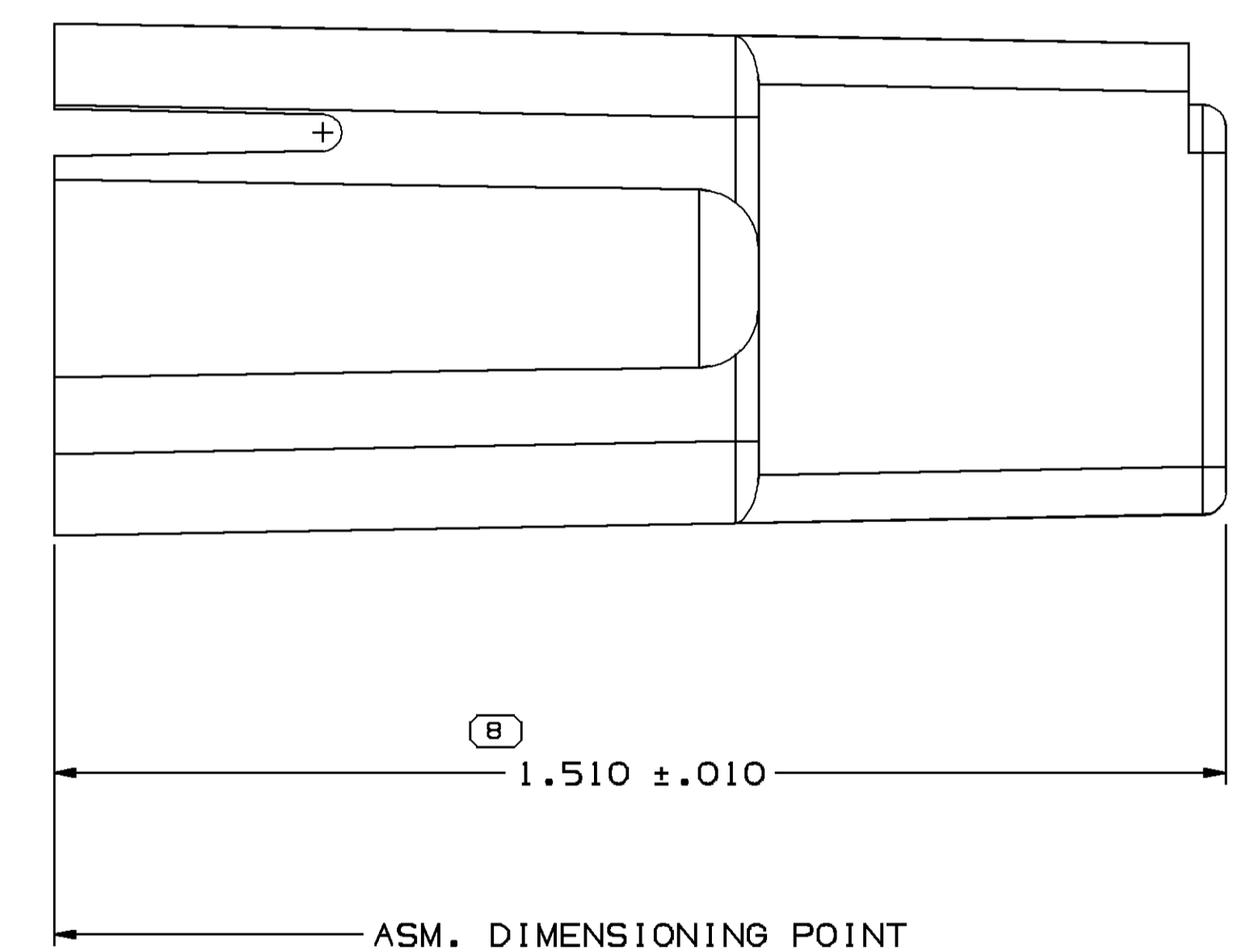
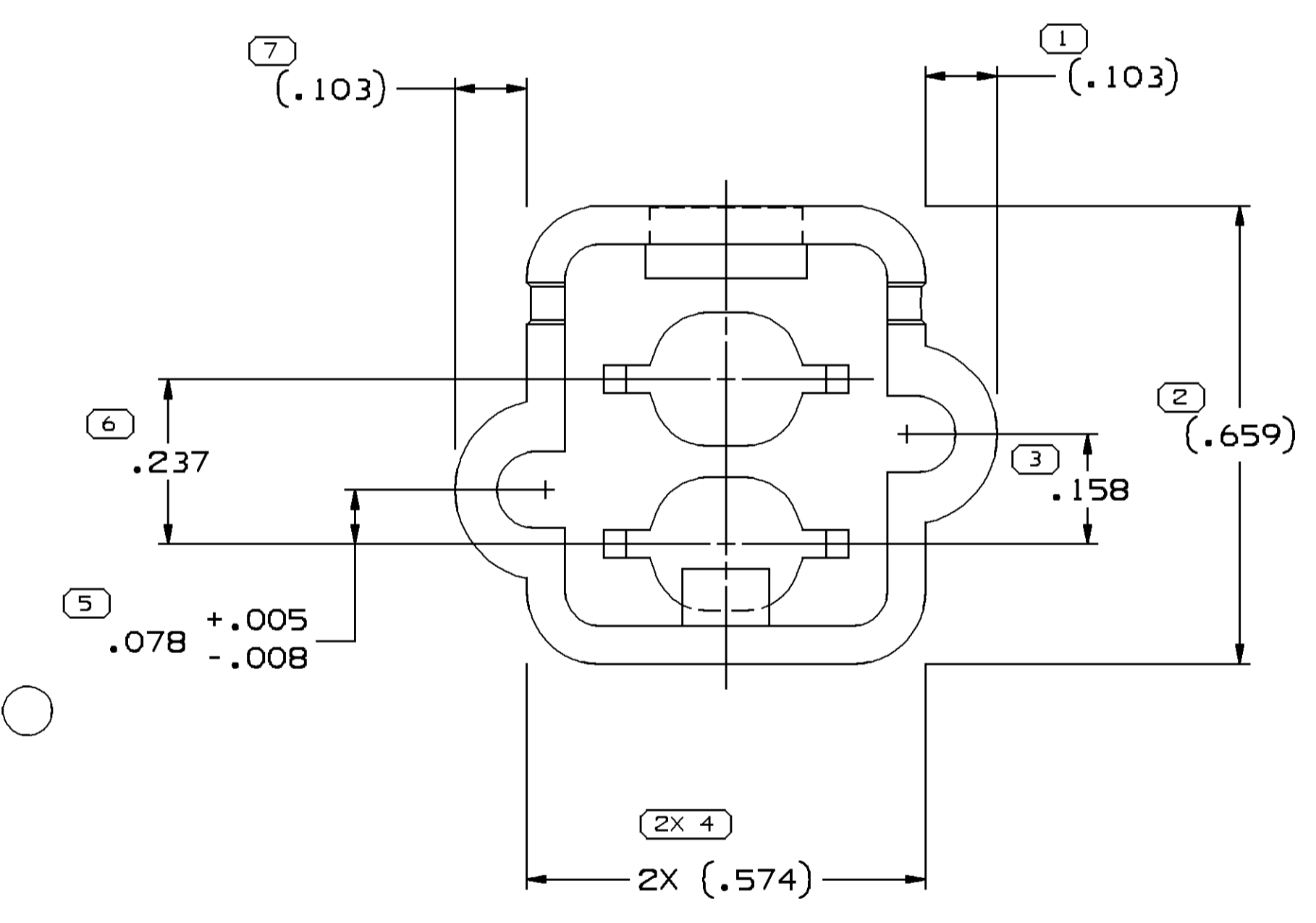
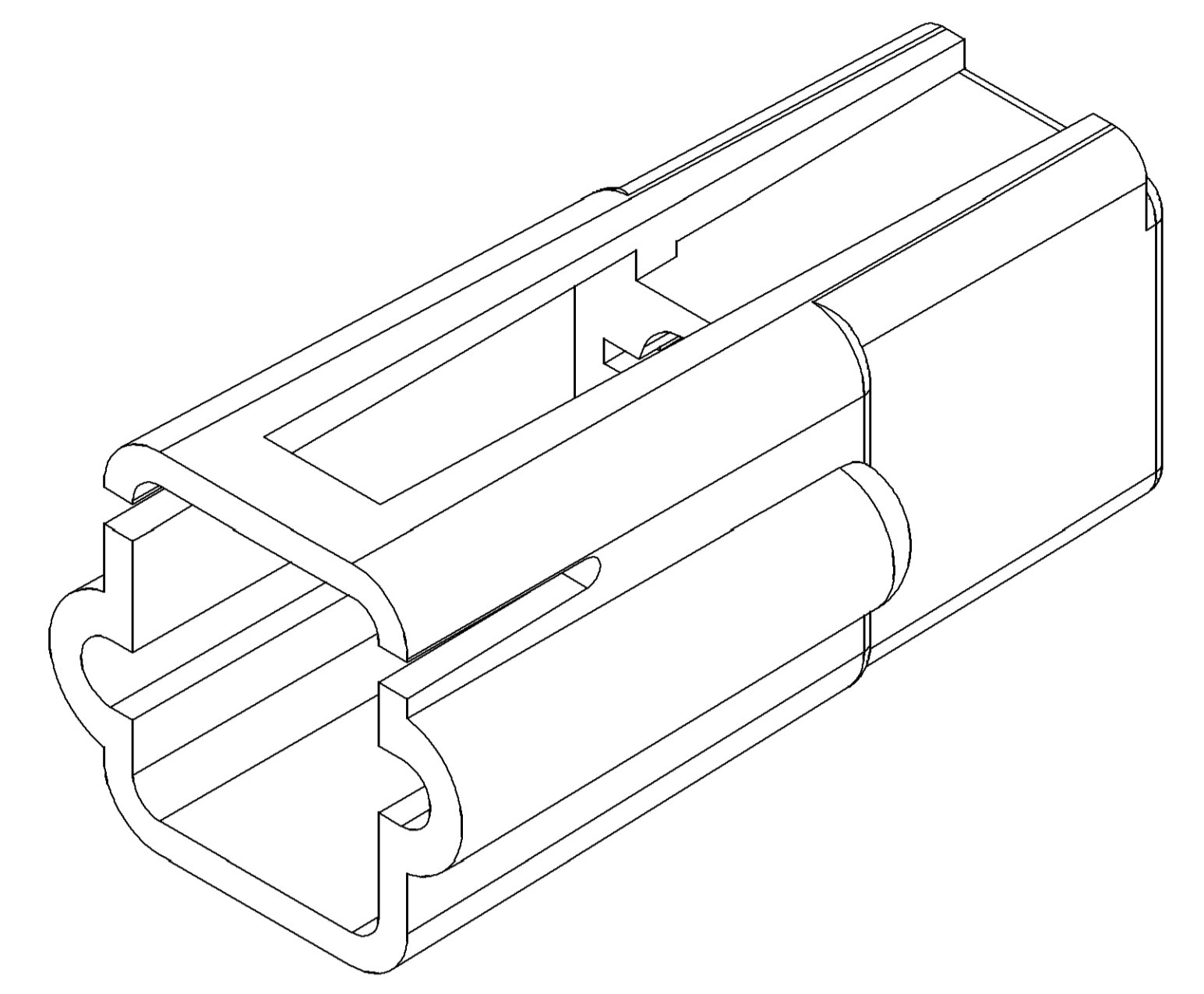
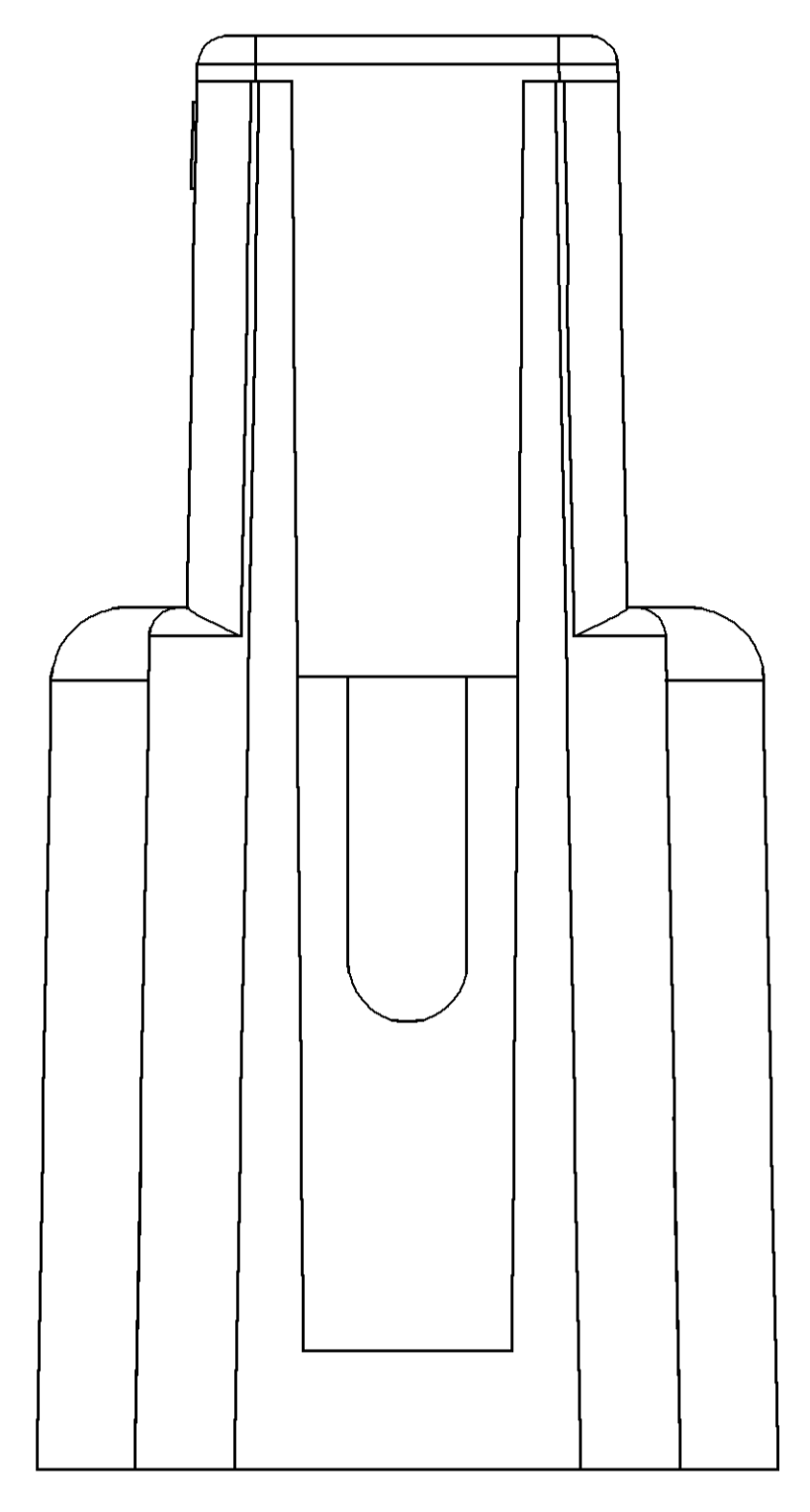


| SYMBOL DEFINITION  |  | MISSING SYMBOLS                  |  | DATE                     |  | DWG STATUS |  | ZONE |  | REVISION HISTORY |  | AUTH |  | DR  |  | AP/VD |  |   |  |        |  |     |  |       |  |     |  |
|--|--|----------------------------------|--|--------------------------|--|------------|--|------|--|------------------|--|------|--|-----|--|-------|--|---|--|--------|--|-----|--|-------|--|-----|--|
| A DIMENSION WITHOUT AN INSPECTION REPORT SYMBOL DOES NOT REQUIRE INSPECTION. IT MAY BE CONTROLLED ON THE INDIVIDUAL COMPONENT DRAWING. |  | TOTAL NO OF INSPECTIONS REQUIRED |  | NO MISSING SYMBOL NUMBER |  | DATE       |  | STG  |  | REV              |  | N/P  |  | CHG |  | ZONE  |  | REVISION HISTORY  |  | AUTH   |  | DR  |  | AP/VD |  |     |  |
|  |  | 9                                |  |                          |  | 24FE09     |  | R    |  | A4               |  |      |  |     |  |       |  | CLEARED REV COLUMN, REDRAWN TO PD & DIM .078 +/- .005 WAS .078 +/- .005 |  | 407404 |  | CBG |  | ECB   |  | JPZ |  |
|  |  | LAST NO. USED                    |  | 8                        |  |            |  |      |  |                  |  |      |  |     |  |       |  |   |  |        |  |     |  |       |  |     |  |



NOTES

- UNLESS OTHERWISE SPECIFIED AND/OR INDICATED:  
DIMENSIONS ARE TO FACE OF VIEW SHOWN AND AUTOMATICALLY ROUNDED BY COMPUTER FOR INSPECTION (SEE MATH MODEL FOR PRECISE DIMENSIONS). FOR ALL OTHER DIMENSIONS NOT SHOWN BUT REQUIRED FOR TOOL BUILD, SEE MATH MODEL FOR PRECISE TOOL PATH DATA.
- MATERIAL RECYCLING CODE PER ISO 11469. (1.0901X(1.004) CHARACTERS AS SHOWN TO BE LOCATED ON ANY EXTERIOR SURFACE. OPTIONAL CONSTRUCTION TO BE NO MATERIAL RECYCLING CODE.
- THIS PRODUCT IS NOT CATEGORIZED AS AN APPEARANCE ITEM, MINOR IMPERFECTIONS INCLUDING, BUT NOT LIMITED TO, FLOW MARKS, COLOR BLEMISHES, GATE VESTIGES, AND SOFT FLASH THAT DO NOT AFFECT THE FIT, FORM, OR FUNCTION OF THE PART ARE PERMISSIBLE PER DPNP 4.7-CS-01.
- (1.0901X(1.004) DELPHI CORPORATE BRAND TO BE LOCATED ON ANY EXTERIOR SURFACE, PREFERABLY VISIBLE AT FINAL ASSEMBLY. OPTIONAL CONSTRUCTION FOR EXISTING TOOLING MAY BE "PED" OR NO LOGO.
- FOR APPLICATION DATA SEE THE APPLICATION DRAWING.

|   |            |
|---|------------|
| PART DRAWING  |            |
| VOLUME 10/1   | DISTR CODE |
| 3,486   | D          |
| UNLESS OTHERWISE SPECIFIED  |            |
| THIS DOCUMENT IS IN ACCORDANCE WITH ASME Y14.5M-1994 AS MODIFIED BY THE IN-SOURCE DIMENSIONING AND TOLERANCE ADDENDUM-001. SEPARATE WRITINGS OF FEATURES MAY BE BASED SEPARATELY PERMISSIBLE OF DIMENSIONAL REFERENCES. |            |
| ALL DIMENSIONS ARE IN INCHES  |            |

|  |                         |
|--|-------------------------|
| PROCESS SENSITIVE DIMENSION  |                         |
| DIMENSIONS ENCLOSED IN ( ) INDICATE REFERENCE DIMENSIONS AND NO TOLERANCE LIMITS ARE ESTABLISHED |                         |
| DIMENSIONAL RANGE (IN)   | CHART H                 |
| FROM 0   | >.750 >1.250 >2.750     |
| TO .750 1.250 2.750 4.000  |                         |
| TOLERANCE UNLESS OTHERWISE SPECIFIED   |                         |
| ±.005  | ±.002 ±.001 ±.001 ±.001 |
| ANGULAR TOLERANCE  | ±.2°                    |

|                        |              |
|------------------------|--------------|
| THIRD ANGLE PROJECTION | DO NOT SCALE |
| USE MATH DATA          | NX           |

**DELPHI**  
DELPHI PACKARD ELECTRICAL/ELECTRONIC ARCHITECTURE  
WARREN, OH

|                      |        |
|----------------------|--------|
| DR                   | DATE   |
| AP/VD1 G.L. HORCHLER | 22JA73 |
| AP/VD2 T. MUDREY     | 24JA73 |
| AP/VD3 D.E. THIRY    | 25JA73 |
| AP/VD4               |        |
| AP/VD5               |        |

SUBSTANCES OF CONCERN AND RECYCLED CONTENT PER DELPHI 10949001

MATERIAL POLYPROPYLENE COMPOUND BLACK

DRAWING NAME  
CONN 2 M 56 SERIES

DRAWING NUMBER  
08911922

|      |       |          |          |     |     |     |
|------|-------|----------|----------|-----|-----|-----|
| SIZE | SCALE | FRAME NO | SHEET NO | STG | REV | N/P |
| A0   | 5:1   | 1        | 1        | 1   | R   | A4  |

## X-ON Electronics

Largest Supplier of Electrical and Electronic Components

*Click to view similar products for [Automotive Connectors](#) category:*

*Click to view products by [APTIV](#) manufacturer:*

Other Similar products are found below :

[003-018-000](#) [60403001](#) [60993906-B](#) [629515004020001](#) [M902-2131](#) [M902-2161](#) [72.330.1035.1](#) [73.353.4028.0](#) [F119300-B](#) [F166900](#)  
[F258300-B](#) [F358300-B](#) [F407400](#) [F444110](#) [F487000](#) [F509500B-B](#) [827153-1](#) [8N1515-32-24P](#) [9-1326729-8](#) [925474-1](#) [928905-1](#) [964562-4](#)  
[968782-1](#) [GT17SA-8DS-HU](#) [98891-1012](#) [98947-1016](#) [12004475-L](#) [12010290](#) [12010309-B](#) [12015454](#) [12020219-B](#) [12020308](#) [12041318-B](#)  
[12052225-L](#) [12052466](#) [12059125](#) [12064869](#) [12004327-B](#) [12010503-B](#) [12015308](#) [12015384](#) [12015909](#) [1-21030-1](#) [12041254](#) [12041318](#)  
[12047946-B](#) [12047957](#) [12047957-L](#) [12059473](#) [12066261](#)