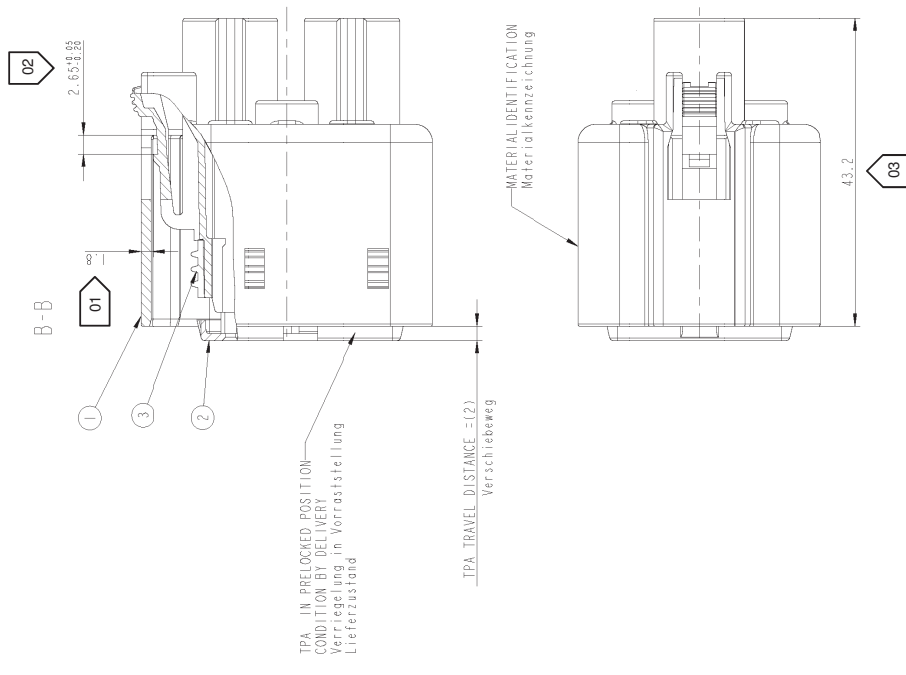


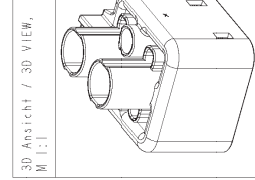
H G F E D C B A



TPA IN PRELOCKED POSITION
CONDITION BY DELIVERY
Verrriegelung in Vorraststellung
Lieferzustand

TPA TRAVEL DISTANCE = (L2)
Verschiebeweg

MATERIAL IDENTIFICATION
Materialkennzeichnung



VALIDATED ACCORDING TO: GMI 12590
GEPRÜFT NACH: GMI 12590
NEUTRAL VERSION

ITEM NO.	REV.	DESCRIPTION	QTY	UNIT	REF. PART NO.	REF. PART NAME	REF. PART DESCRIPTION	REF. PART UNIT	REF. PART QTY
6 007 02 71	1	DCSI 9.5MM FEMALE TERM.	6 099 33 03	10721071					
6 007 02 61	1	DCSI 9.5MM FEMALE TERM.	6 099 33 04	10889241					
6 007 02 51	1	DCSI 9.5MM FEMALE TERM.	6 099 33 01	15327788					
6 007 02 41	1	DCSI 9.5MM FEMALE TERM.	6 099 33 08	13546490					
6 004 00 51	1	DCSI 6.3MM FEMALE TERM.	6 099 33 01	15327788					
6 004 00 41	1	DCSI 6.3MM FEMALE TERM.	6 099 33 08	13546490					
6 004 00 31	1	DCSI 6.3MM FEMALE TERM.	6 099 26 06	12186636					
6 004 05 41	1	DCSI 2.8MM FEMALE TERM.	6 099 34 03	15327786					
6 001 05 31	1	DCSI 2.8MM FEMALE TERM.	6 099 34 03	15327786					
6 001 05 11	1	DCSI 2.8MM FEMALE TERM.	6 099 34 01	33511807					

ITEM NO.	REV.	DESCRIPTION	QTY	UNIT	REF. PART NO.	REF. PART NAME	REF. PART DESCRIPTION	REF. PART UNIT	REF. PART QTY
6 043 10 11	A	SEAL Dichtung	1	DELPHI					
6 043 10 11	A	TPA Kontaktisicherung	1	DELPHI					
6 043 10 11	A	8POS. FEMALE CONNECTOR	1	DELPHI					
6 043 10 11	A	8 POS. - Flachkontaktharuse	1	DELPHI					
6 043 10 11	A	NAME BEZUGSSTELLENSPEZ	1	DELPHI					

ITEM NO.	REV.	DESCRIPTION	QTY	UNIT	REF. PART NO.	REF. PART NAME	REF. PART DESCRIPTION	REF. PART UNIT	REF. PART QTY
6 043 10 11	A	SEAL Dichtung	1	DELPHI					
6 043 10 11	A	TPA Kontaktisicherung	1	DELPHI					
6 043 10 11	A	8POS. FEMALE CONNECTOR	1	DELPHI					
6 043 10 11	A	8 POS. - Flachkontaktharuse	1	DELPHI					
6 043 10 11	A	NAME BEZUGSSTELLENSPEZ	1	DELPHI					

ITEM NO.	REV.	DESCRIPTION	QTY	UNIT	REF. PART NO.	REF. PART NAME	REF. PART DESCRIPTION	REF. PART UNIT	REF. PART QTY
6 043 10 11	A	SEAL Dichtung	1	DELPHI					
6 043 10 11	A	TPA Kontaktisicherung	1	DELPHI					
6 043 10 11	A	8POS. FEMALE CONNECTOR	1	DELPHI					
6 043 10 11	A	8 POS. - Flachkontaktharuse	1	DELPHI					
6 043 10 11	A	NAME BEZUGSSTELLENSPEZ	1	DELPHI					

ITEM NO.	REV.	DESCRIPTION	QTY	UNIT	REF. PART NO.	REF. PART NAME	REF. PART DESCRIPTION	REF. PART UNIT	REF. PART QTY
6 043 10 11	A	SEAL Dichtung	1	DELPHI					
6 043 10 11	A	TPA Kontaktisicherung	1	DELPHI					
6 043 10 11	A	8POS. FEMALE CONNECTOR	1	DELPHI					
6 043 10 11	A	8 POS. - Flachkontaktharuse	1	DELPHI					
6 043 10 11	A	NAME BEZUGSSTELLENSPEZ	1	DELPHI					

ITEM NO.	REV.	DESCRIPTION	QTY	UNIT	REF. PART NO.	REF. PART NAME	REF. PART DESCRIPTION	REF. PART UNIT	REF. PART QTY
6 043 10 11	A	SEAL Dichtung	1	DELPHI					
6 043 10 11	A	TPA Kontaktisicherung	1	DELPHI					
6 043 10 11	A	8POS. FEMALE CONNECTOR	1	DELPHI					
6 043 10 11	A	8 POS. - Flachkontaktharuse	1	DELPHI					
6 043 10 11	A	NAME BEZUGSSTELLENSPEZ	1	DELPHI					

ITEM NO.	REV.	DESCRIPTION	QTY	UNIT	REF. PART NO.	REF. PART NAME	REF. PART DESCRIPTION	REF. PART UNIT	REF. PART QTY
6 043 10 11	A	SEAL Dichtung	1	DELPHI					
6 043 10 11	A	TPA Kontaktisicherung	1	DELPHI					
6 043 10 11	A	8POS. FEMALE CONNECTOR	1	DELPHI					
6 043 10 11	A	8 POS. - Flachkontaktharuse	1	DELPHI					
6 043 10 11	A	NAME BEZUGSSTELLENSPEZ	1	DELPHI					

ITEM NO.	REV.	DESCRIPTION	QTY	UNIT	REF. PART NO.	REF. PART NAME	REF. PART DESCRIPTION	REF. PART UNIT	REF. PART QTY
6 043 10 11	A	SEAL Dichtung	1	DELPHI					
6 043 10 11	A	TPA Kontaktisicherung	1	DELPHI					
6 043 10 11	A	8POS. FEMALE CONNECTOR	1	DELPHI					
6 043 10 11	A	8 POS. - Flachkontaktharuse	1	DELPHI					
6 043 10 11	A	NAME BEZUGSSTELLENSPEZ	1	DELPHI					

ITEM NO.	REV.	DESCRIPTION	QTY	UNIT	REF. PART NO.	REF. PART NAME	REF. PART DESCRIPTION	REF. PART UNIT	REF. PART QTY
6 043 10 11	A	SEAL Dichtung	1	DELPHI					
6 043 10 11	A	TPA Kontaktisicherung	1	DELPHI					
6 043 10 11	A	8POS. FEMALE CONNECTOR	1	DELPHI					
6 043 10 11	A	8 POS. - Flachkontaktharuse	1	DELPHI					
6 043 10 11	A	NAME BEZUGSSTELLENSPEZ	1	DELPHI					

ITEM NO.	REV.	DESCRIPTION	QTY	UNIT	REF. PART NO.	REF. PART NAME	REF. PART DESCRIPTION	REF. PART UNIT	REF. PART QTY
6 043 10 11	A	SEAL Dichtung	1	DELPHI					
6 043 10 11	A	TPA Kontaktisicherung	1	DELPHI					
6 043 10 11	A	8POS. FEMALE CONNECTOR	1	DELPHI					
6 043 10 11	A	8 POS. - Flachkontaktharuse	1	DELPHI					
6 043 10 11	A	NAME BEZUGSSTELLENSPEZ	1	DELPHI					

X-ON Electronics

Largest Supplier of Electrical and Electronic Components

Click to view similar products for [Automotive Connectors](#) category:

Click to view products by [APTIV](#) manufacturer:

Other Similar products are found below :

[003-018-000](#) [60403001](#) [60993906-B](#) [629515004020001](#) [M902-2131](#) [M902-2161](#) [72.330.1035.1](#) [73.353.4028.0](#) [F119300-B](#) [F166900](#)
[F258300-B](#) [F358300-B](#) [F407400](#) [F444110](#) [F487000](#) [F509500B-B](#) [827153-1](#) [8N1515-32-24P](#) [9-1326729-8](#) [925474-1](#) [928905-1](#) [964562-4](#)
[968782-1](#) [GT17SA-8DS-HU](#) [98891-1012](#) [98947-1016](#) [12004475-L](#) [12010290](#) [12010309-B](#) [12015454](#) [12020219-B](#) [12020308](#) [12041318-B](#)
[12052225-L](#) [12052466](#) [12059125](#) [12064869](#) [12004327-B](#) [12010503-B](#) [12015308](#) [12015384](#) [12015909](#) [1-21030-1](#) [12041254](#) [12041318](#)
[12047946-B](#) [12047957](#) [12047957-L](#) [12059473](#) [12066261](#)