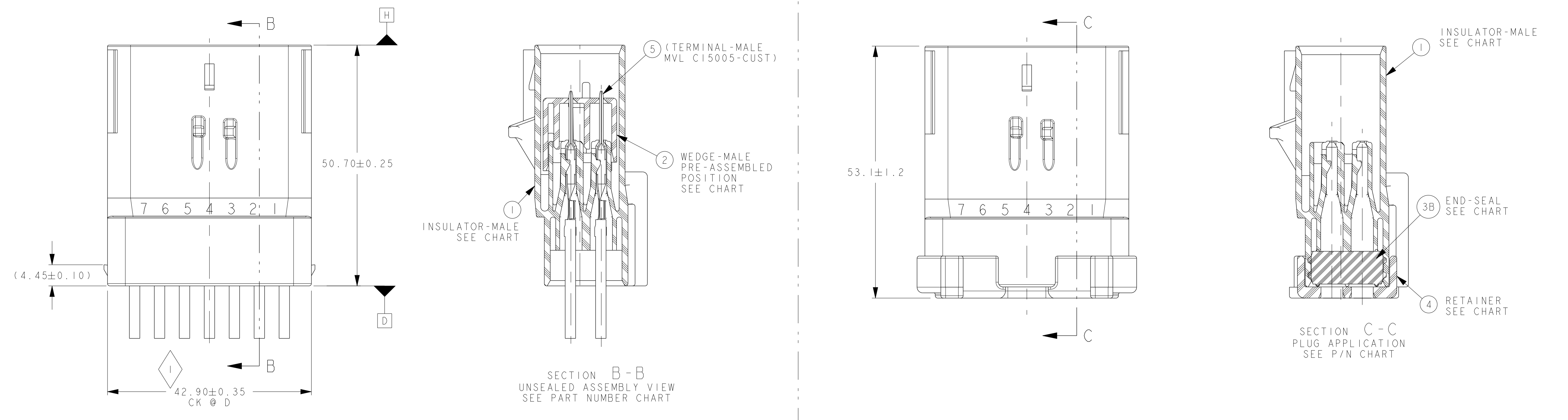
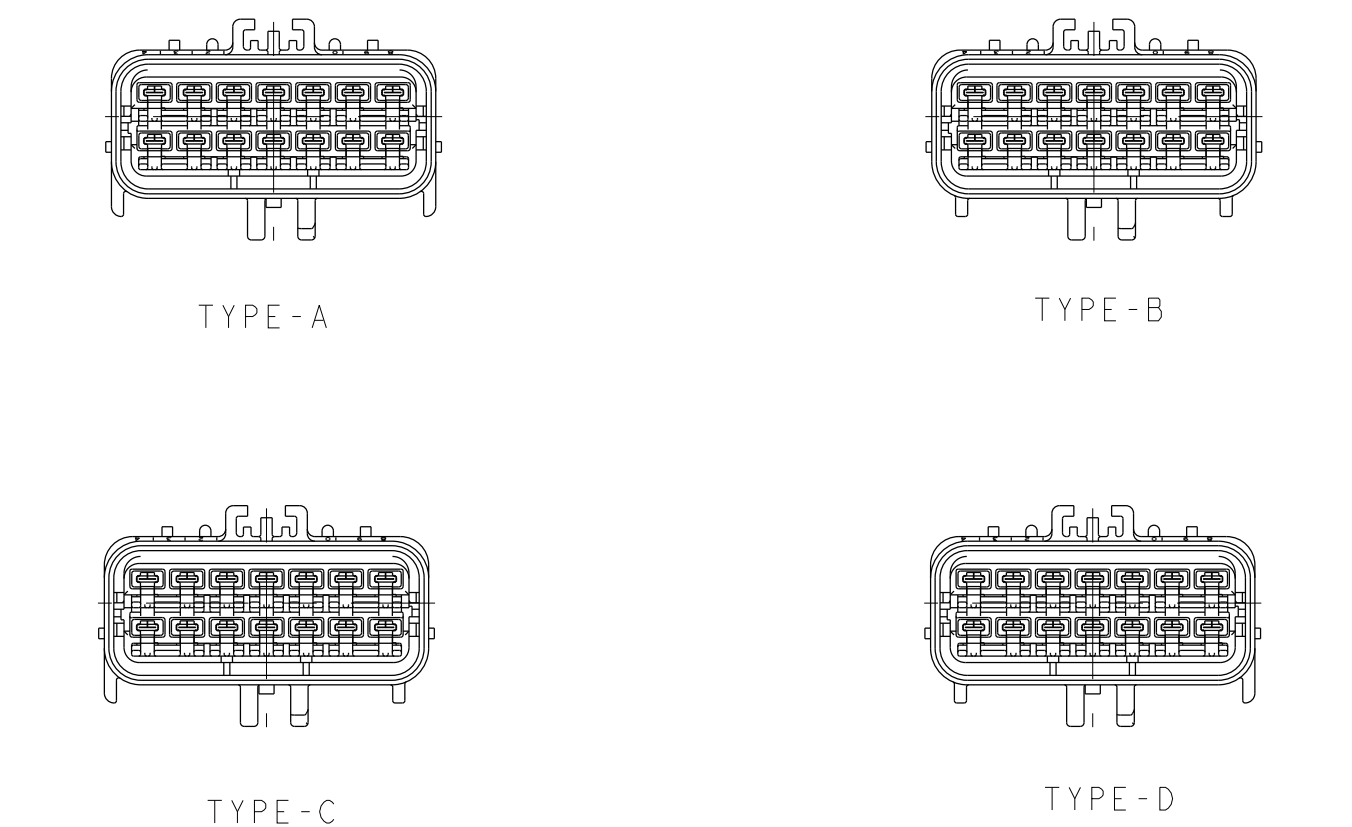
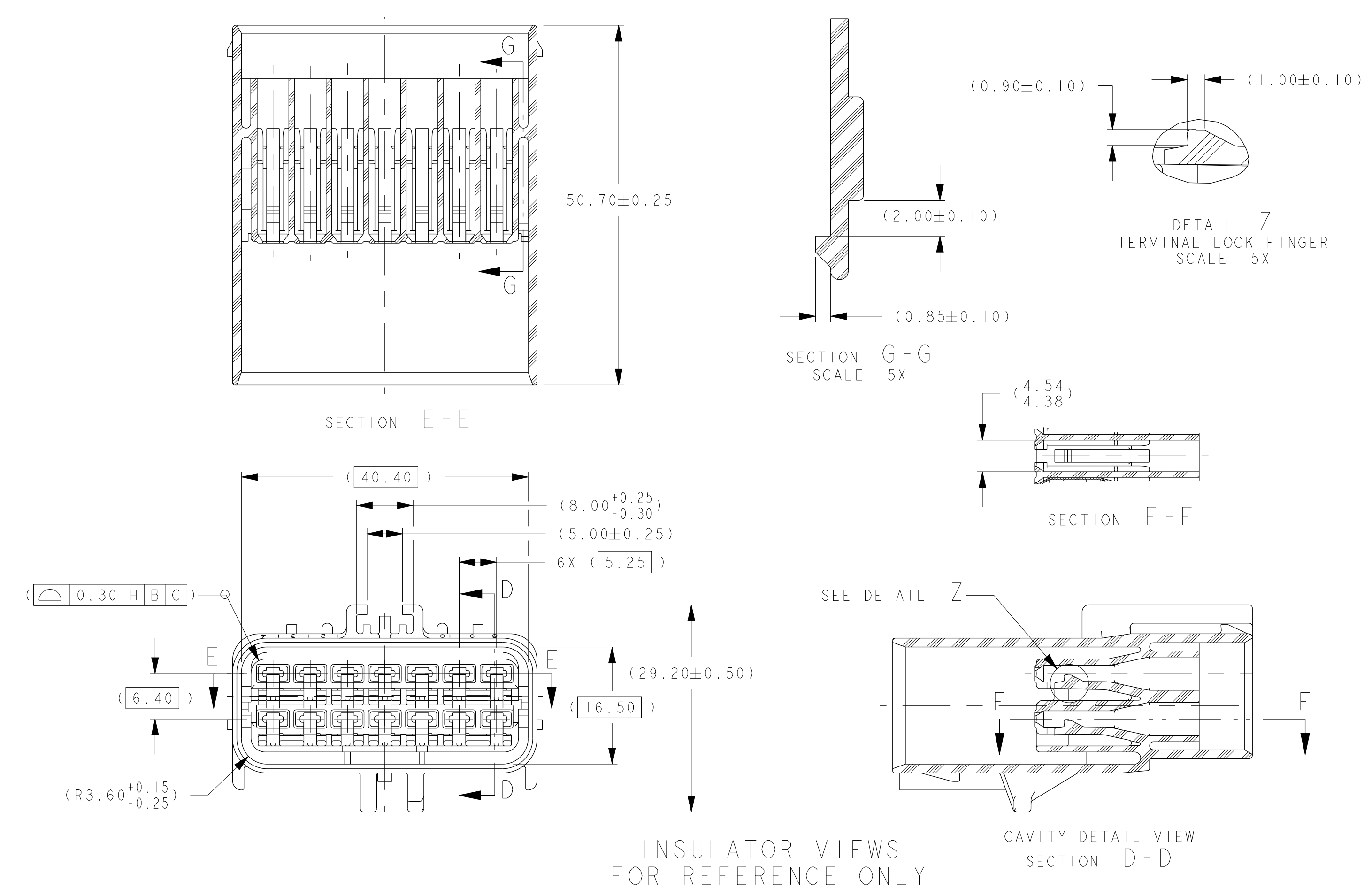
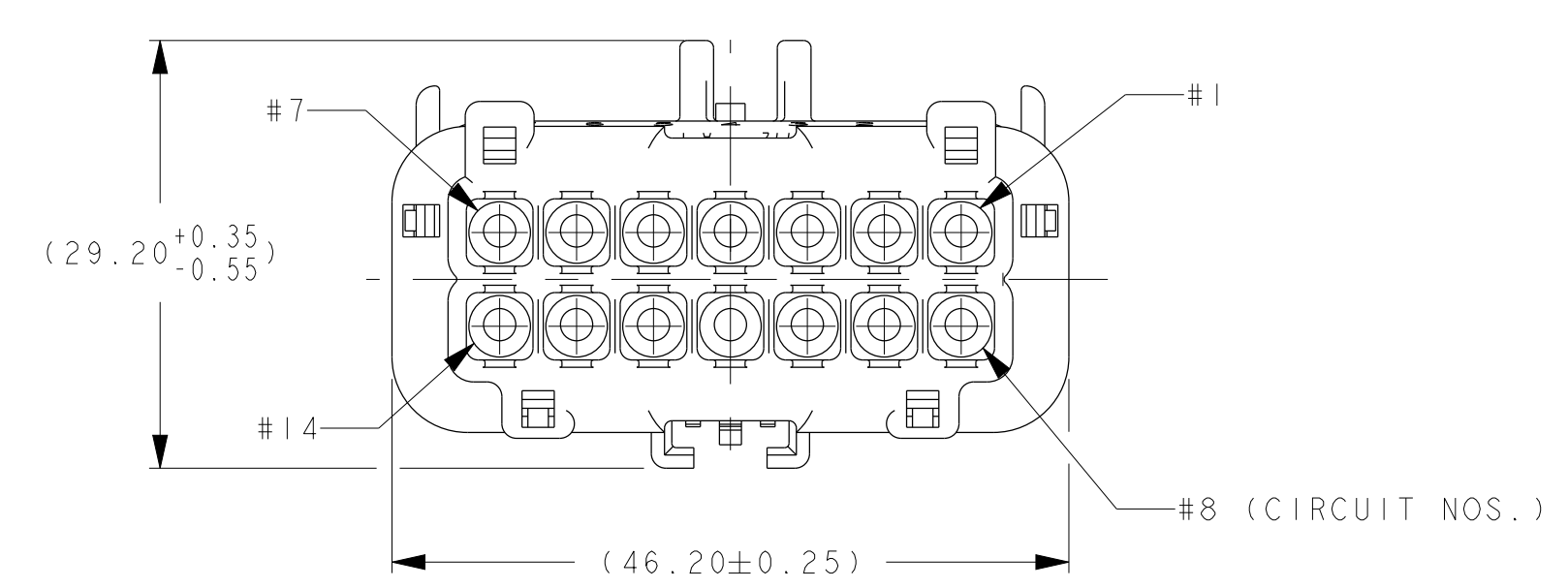
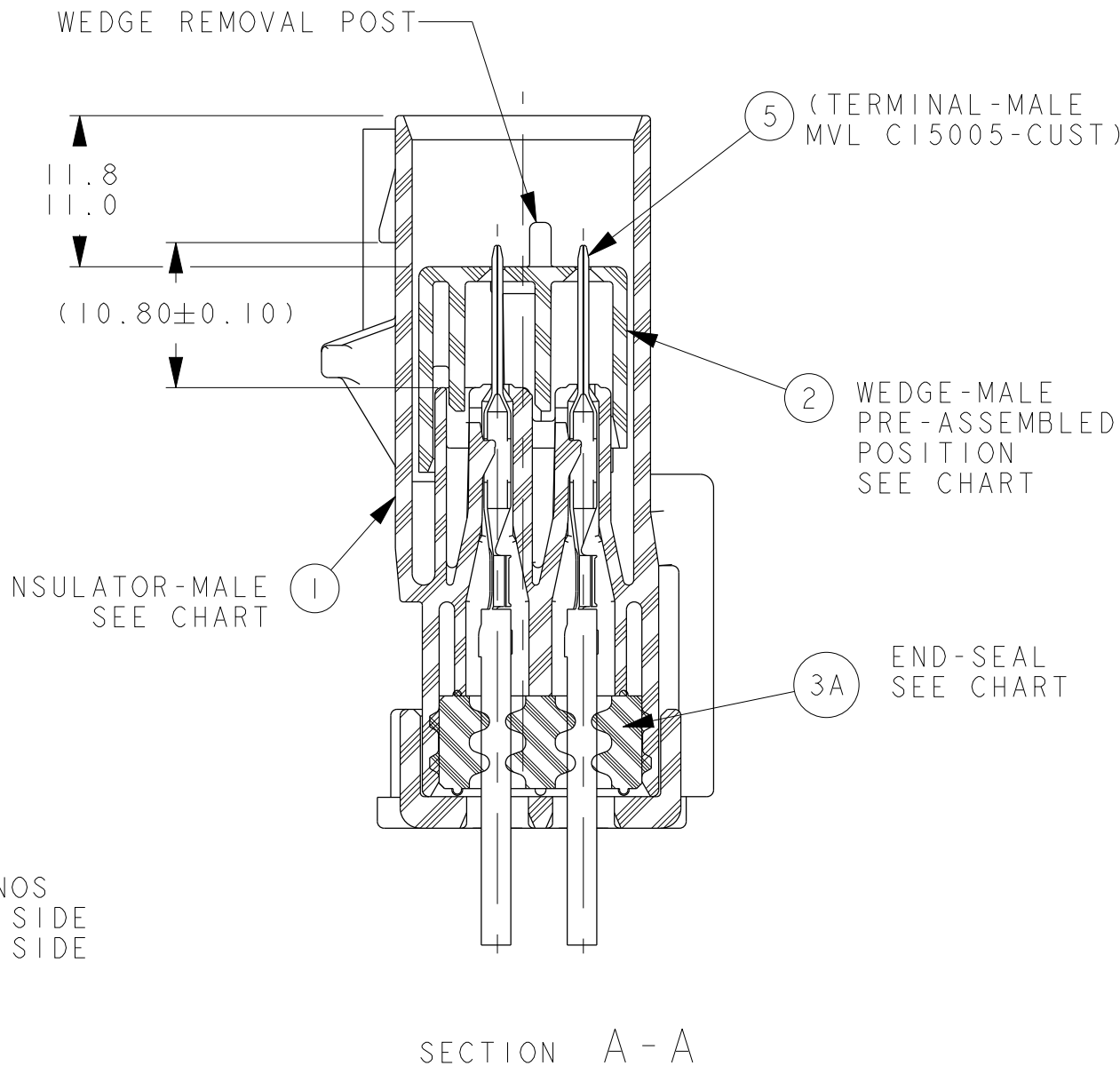
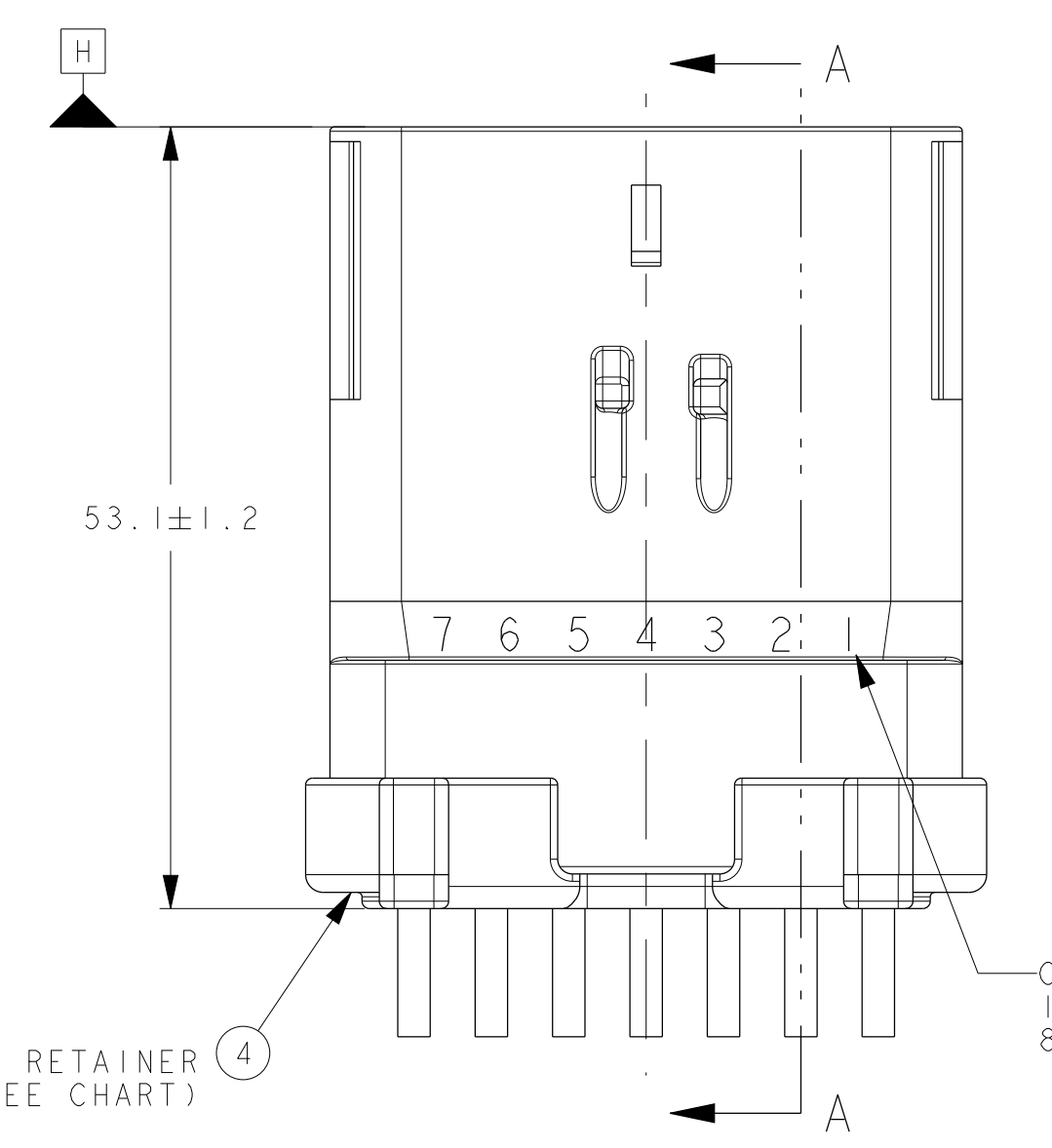
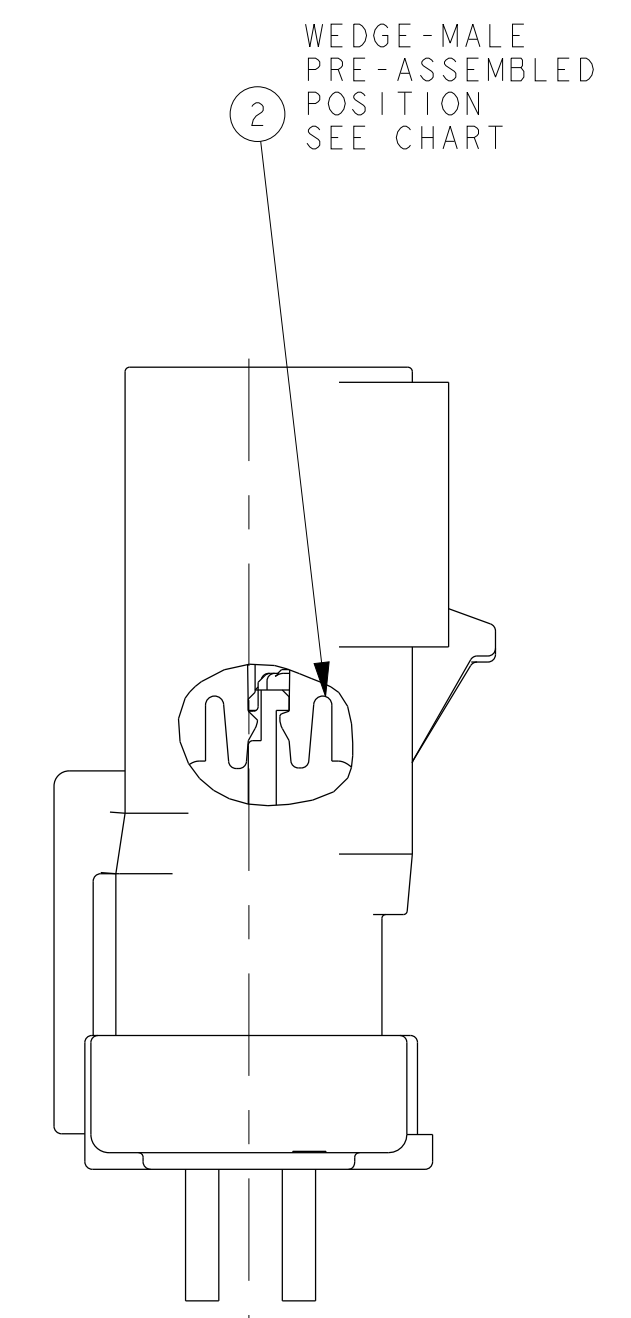
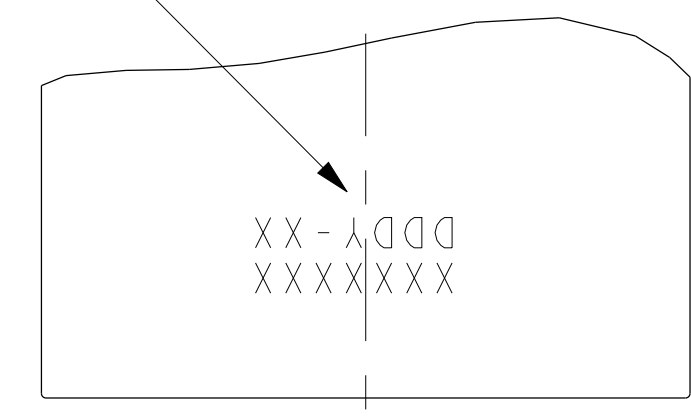


LAST 5 DIGIT OF 8 DIGIT P/N & PART CHANGE LEVEL (PCL) OR LAST 6 DIGITS OF 10 DIGIT P/N & PART CHANGE LEVEL (PCL), MFG. DAILY DATE CODE & ASSY MACHINE NO. LETTERING MUST BE LEGIBLE OPTIONAL



- NOTES:
- QUALITY ASSURANCE REQUIREMENTS PER CHRYSLER PS-7300: 1 SPC DATA REQUIRED
 - ENGINEERING APPROVAL OF SUPPLIER SAMPLES IS REQUIRED PRIOR TO AUTHORIZATION OF PART PRODUCTION
 - CHANGES IN DESIGN COMPOSITION OR PROCESSING FROM THE PART PREVIOUSLY APPROVED FOR PART PRODUCTION REQUIRES PRIOR ENGINEERING APPROVAL
 - WIRING FABRICATORS MUST PURCHASE FROM SOURCES SHOWN
 - ALL SEALED APPLICATIONS WITH 33401040 MAT SEAL CAN BE USED WITH FOLLOWING INSULATION RANGES: Ø1.70 TO Ø4.09 (20AWG TO 10AWG) ALL CIRCUITS Ø1.70 TO Ø3.80 (0.75mm² TO 4mm²) ALL CIRCUITS Ø1.70 TO Ø4.20 (6 CIRCUITS WITH 5mm² 2 ON ENDS & 2 AT CENTER AND REMAINING 8 CIRCUITS 0.75mm² TO 4mm²)
 - ALL NON-SEALED APPLICATIONS MAY BE USED WITH ANY WIRE Ø1.40 TO Ø4.20 OD (22AWG TO 10AWG) EXCEPT AS NOTED PROVIDING THAT A TERMINAL GRIP FOR THAT CORE/INSULATION COMBINATION IS SHOWN ON THE MALE TERMINAL DRAWING
 - NOTE: MAX. INSULATION CRIMP WIDTH = 4.50
MAX. INSULATION CRIMP HEIGHT = 4.50
MAX. INSULATION = Ø4.20 (10AWG OR 5mm² ISO THIN WALL)
 - USE WITH CAVITY PLUG MVL 54200005 DELPHI 15316894 WHEN REQ'D USE WITH DOUBLE X-MAS TREE CLIP MVL 54200010 W/FORWARD STOP WHEN REQ'D USE WITH DOUBLE X-MAS TREE CLIP CHRYSLER 04707091 WHEN REQUIRED USE WITH SINGLE X-MAS TREE CLIP CHRYSLER 04625797 WHEN REQUIRED USE WITH 2.80MM APEX MALE TERM PER MVL C15005-CUST SYM ABOUT CENTERLINE FOR 180° ORIENTATION
 - TEST METHOD PER SAE/USCAR-2 REV.5, CONNECTOR ENGAGE & DISENGAGE WITH FEMALE LATCH DEPRESSED FORCE NOT TO EXCEED 142N (32LBS/PF-752(T)) PRESSURE 3 PSI (22 KPA) PER TEST PF-752(T)
 - WEDGE SEATING FORCES - 150N MAX
X-MAS TREE CLIP INSERTION FORCES - 75N MAX
 - SUPPLIER, MOLD & CAVITY I.D. SIGNIFIES TOOL OWNERSHIP, FOR REFERENCE
 - ANNUAL QUALITY REQUIREMENTS:
IT IS PERMISSIBLE TO PERFORM CONTINUOUS CONFORMANCE PER MVL SPECIFICATION #A0A-001 INSTEAD OF ANNUAL LAYOUT & ANNUAL PV REQUIREMENTS OF QS-9000 SECTION 2 & PF-9600
 - ALL NON-REFERENCE DIMENSIONS ARE REQUIRED
 - USE INDEX A, BLACK SEALED AND UNSEALED FOR ALL AFFECTED INSULATOR CAVITIES
 - CURRENT PRODUCTION TOOLING
 - POINT OF LAST RUN
 - SERVICE TOOLING GUIDE INFORMATION PER APEX TRAINING MANUAL MUST CONFORM TO THE FOLLOWING CHRYSLER/YNA STANDARDS:
 1. SAE/USCAR-2 REV 5 EXCEPT AS NOTED ABOVE
2. PS-7300 QUALITY ASSURANCE (CHRYSLER)
3. MS-9502 SEAL APPL. 150 °C
4. MS-9298 SEAL APPL. 125 °C
5. PS-9227 DATA EXCHANGE (CHRYSLER), (G009-7 YNA)
6. PS-10052 INFORMATION SECURITY (CHRYSLER)
 - THIS DRAWING (H59016) REPLACED CHRYSLER DRAWING 04687887 REV "H"
 - MVL SUPPLIER CODE: 52772 OR 52772H

MATING PART NUMBER CHART

INDEX TYPE	COLOR	SEALED/UNSEALED	MATING PART NUMBER CHART						
			MVL	DELPHI (CHRYSLER)	YNA	MVL DELPHI (CHRYSLER) YNA			
D	LT GREEN	UNSEALED	DIRECT CONNECT APPLICATION	54201452N	33511452	N/A	N/A		
		UNSEALED	DIRECT CONNECT APPLICATION	54201452	33511460	04868345AA	N/A		
	NATURAL	UNSEALED	DIRECT CONNECT APPLICATION	54201403N	33511457	N/A	N/A		
		UNSEALED	DIRECT CONNECT APPLICATION	54201403	33500120	04687932	7283-4649		
C	DK GREY	UNSEALED	DIRECT CONNECT APPLICATION	54201402N	33511456	N/A	N/A		
		UNSEALED	DIRECT CONNECT APPLICATION	54201402	33511462	04687931	7283-4648-10		
	SEALED	54201463	15537594	N/A	N/A	54201413	10763696	04687927	7283-4748-10
		54201417	10757675	N/A	N/A	54201413N	33511470	N/A	N/A
B	LT GREY	UNSEALED	DIRECT CONNECT APPLICATION	54201453N	33511451	N/A	N/A		
		UNSEALED	DIRECT CONNECT APPLICATION	54201453	33511459	N/A	7283-4747-20 (E0001361)		
	SEALED	54201405	33500121	N/A	N/A	54201401N	33511455	N/A	N/A
		54201405	33500121	04687936	N/A	54201401	15537608	04687930	7283-4647-40
A	BLACK	UNSEALED	DIRECT CONNECT APPLICATION	54201412N	33511469	N/A	N/A		
		UNSEALED	DIRECT CONNECT APPLICATION	54201412	33511469	N/A	N/A		
	SEALED	54201416	10757673	04687934	N/A	54201412	13533441	04687926	7283-4645-40
		54201404	13581869	N/A	N/A	54201442N	33511453	N/A	N/A
INDEX TYPE	COLOR	SEALED/UNSEALED	MVL DELPHI (CHRYSLER) YNA	MVL DELPHI (CHRYSLER) YNA	MATING ASSEMBLY PART NUMBERS FOR REFERENCE ONLY			CONNECTOR ASSEMBLY TEMPERATURE CLASS PER SAE/USCAR-2 REV.5	
					CHRYSLER APPLICATION				
					MALE ASSEMBLY PART NUMBERS				
					MATING ASSEMBLY PART NUMBERS FOR REFERENCE ONLY				
					MATING ASSEMBLY PART NUMBERS FOR REFERENCE ONLY				
					MATING ASSEMBLY PART NUMBERS FOR REFERENCE ONLY				
					MATING ASSEMBLY PART NUMBERS FOR REFERENCE ONLY				
					MATING ASSEMBLY PART NUMBERS FOR REFERENCE ONLY				

CHART-ASSEMBLY PART NUMBERS

MVL P/N'S	DELPHI P/N'S	CHRYSLER P/N'S	NON-CHRYSLER P/N'S	CHART-ASSEMBLY PART NUMBERS	
				UNSEALED	SEALED
54201404	E	13581869	01	04687935	N/A
54201405	G	33500121	01	04687936	N/A
54201468	K	33511472	01	N/A	N/A
54201415	H	10757674	02	04687933	GM15125233
54201416	G	10757673	02	04687934	N/A
54201417	H	10757675	02	04707241	N/A
54201418	L	10757778	02	04707243	N/A
54201459	G	15537596	01	N/A	N/A
54201462	J	15537595	01	N/A	N/A
54201463	J	15537594	01	N/A	N/A
54201464	J	15537591	01	N/A	N/A

COMPONENTS

REQUIRED	REQUIRED	ITEM	MVL	DELPHI	PART NAME	MATERIAL
I	I	I	I	I	INS-MALE INDEX A; BLK	NYLON 66
I	I	I	I	I	INS-MALE INDEX B; LT GREY	NYLON 66
I	I	I	I	I	INS-MALE INDEX C; DK GREY	NYLON 66
I	I	I	I	I	INS-MALE INDEX D; NATURAL	NYLON 66
I	I	I	I	I	WEDGE-MALE; RED	NYLON 66
I	I	I	I	I	END SEAL; DK BLUE	SILICONE
I	I	I	I	I	END SEAL; BRT YELLOW (NO HOLES)	SILICONE
I	I	I	I	I	RETAINER; BLACK	NYLON 66
3	3	3	3	3	3	3
3	3	3	3	3	3	3
3	3	3	3	3	3	3
3	3	3	3	3	3	3

13-00799	DIS D16	ALL	0266892 - DPN'S CORRECTED FOR MVL PARTS WERE RE-ASSIGNED NEW FOR EXISTING DPN'S. CHRYSLER COMPONENTS P/N'S REMOVED NOT USED P/N 33401040 MAT SEAL REPLACED MVL 54201452 REPLACED 33401042; WIRE APPLICATION RANGE REVISED, PCL BUMPED FOR SEALED ASSEMBLIES WITH 33401040 SEAL
13-00643	ALL	ALL	022555 - REVISED & REDRAWN IN PDS, ADDED DELPHI PART NUMBERS FOR MVL PARTS WITH REV LEVELS. ADDED NEW P/N 33401042 ASSY AND 33401040 END SEAL. CHARTS AND NOTES UPDATED PCL REPLACED BY MVL

DELPHI H59016 M SERIAL RELEASED

280 APEX CONNECTOR SYSTEM

TAXI: 13535119

DATE: 11/20/15

REVISION: 1

DATE: 11/20/15

REVISION: 1

X-ON Electronics

Largest Supplier of Electrical and Electronic Components

Click to view similar products for [Automotive Connectors](#) category:

Click to view products by [APTIV](#) manufacturer:

Other Similar products are found below :

[003-018-000](#) [60993906-B](#) [M902-2131](#) [M902-2161](#) [M902-2344](#) [72.330.1035.1](#) [73.353.4028.0](#) [F166900](#) [F358300-B](#) [F407400](#) [827153-1](#)
[8N1515-32-24P](#) [9-1326729-8](#) [925474-1](#) [928905-1](#) [964562-1](#) [964562-4](#) [968782-1](#) [98891-1012](#) [12004475-L](#) [12020308](#) [12041318-B](#)
[12052466](#) [12064869](#) [12015909](#) [1-21030-1](#) [12041254](#) [12041318](#) [12047946-B](#) [12110546-B](#) [12131792](#) [12084688](#) [12092346](#) [HD34-18-14PT](#)
[HD46-24-23SN-059](#) [HDB36-24-16PN-059](#) [HDP26-24-9SE-L015](#) [12185280](#) [12185550](#) [12336-12](#) [12191172-B](#) [12S](#) [13577943](#) [13681974](#)
[13737722-B](#) [13830674](#) [13832576](#) [13849772](#) [13542772](#) [13589871-B](#)