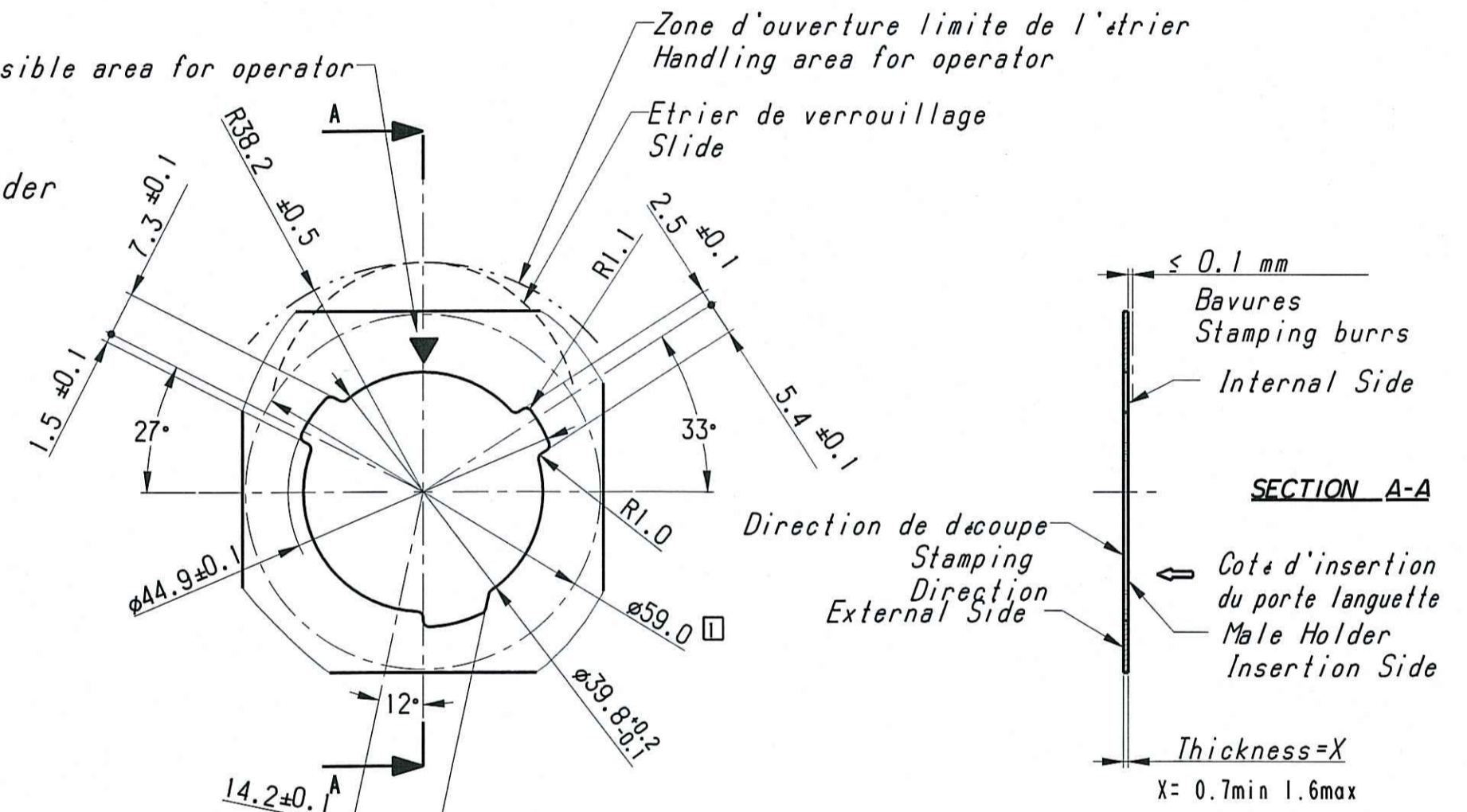
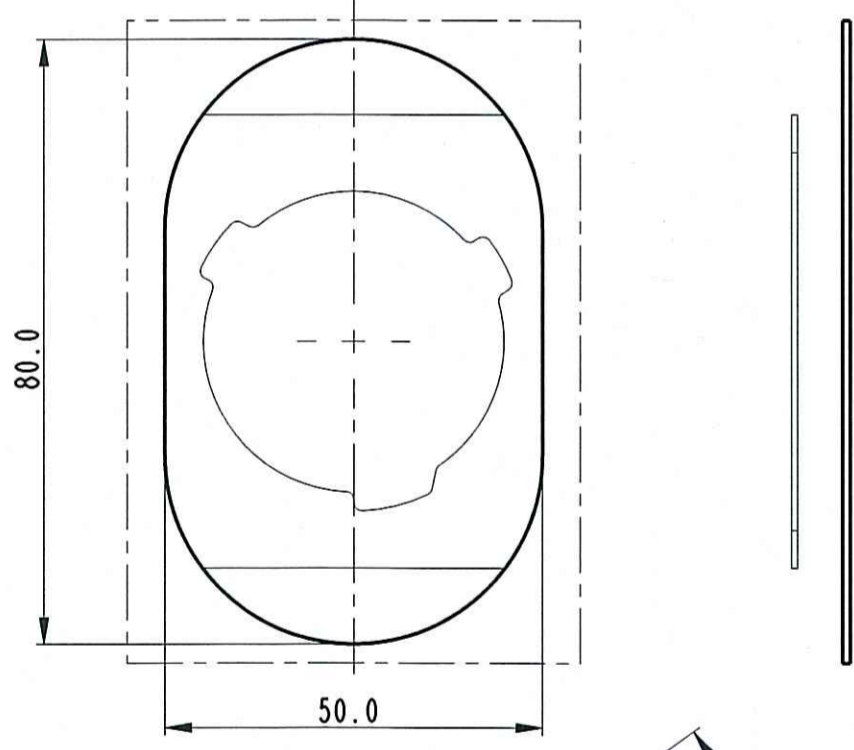


NOTE: Decoupe tole polaris e puor l'accrochage du porte languette

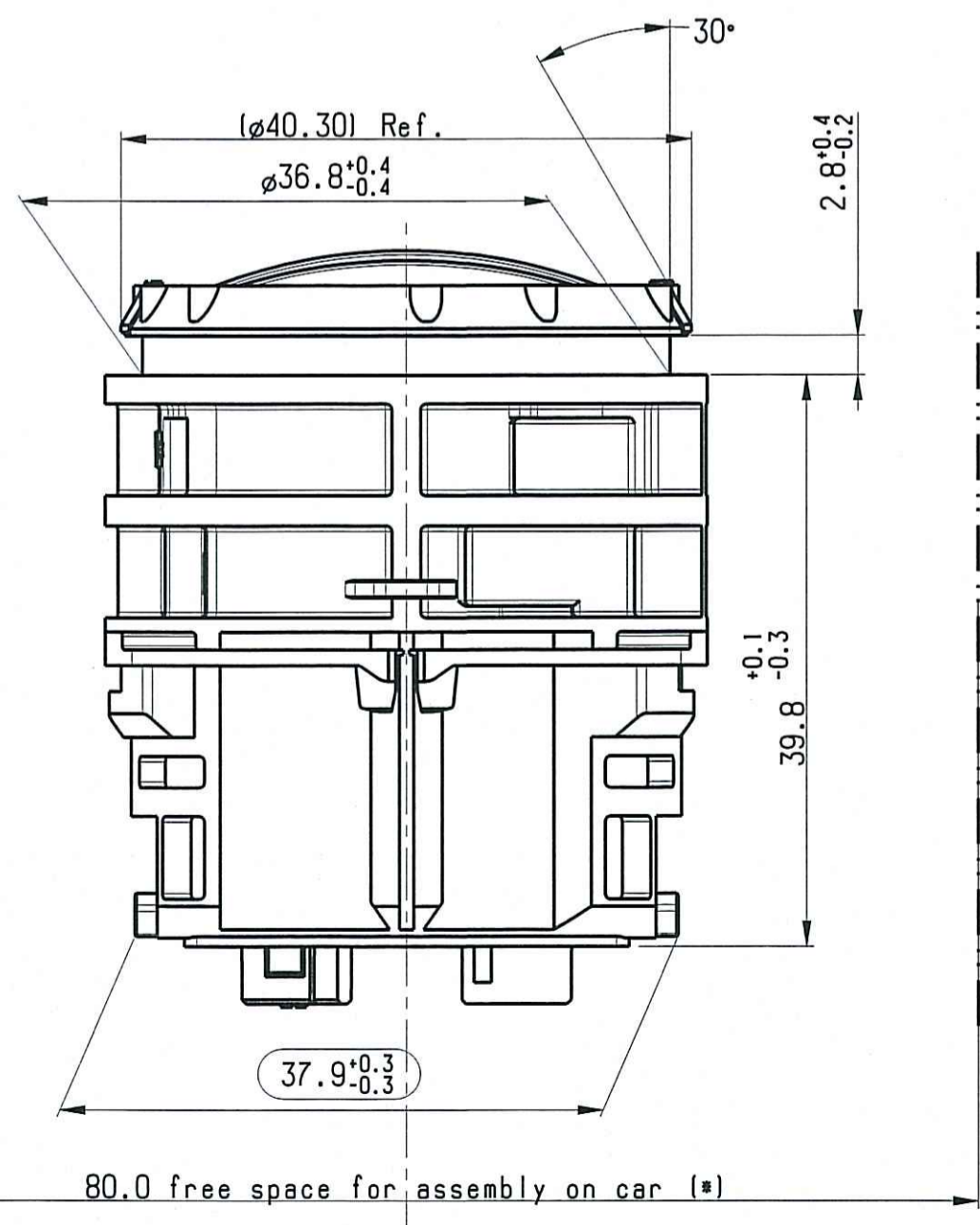
Detail: Free area on the back of Male Holder



○ CAPABILITY
 Cavity 1.5 in accordance with STE9628905099
 Cavity 2.8 in accordance with STE9628905099

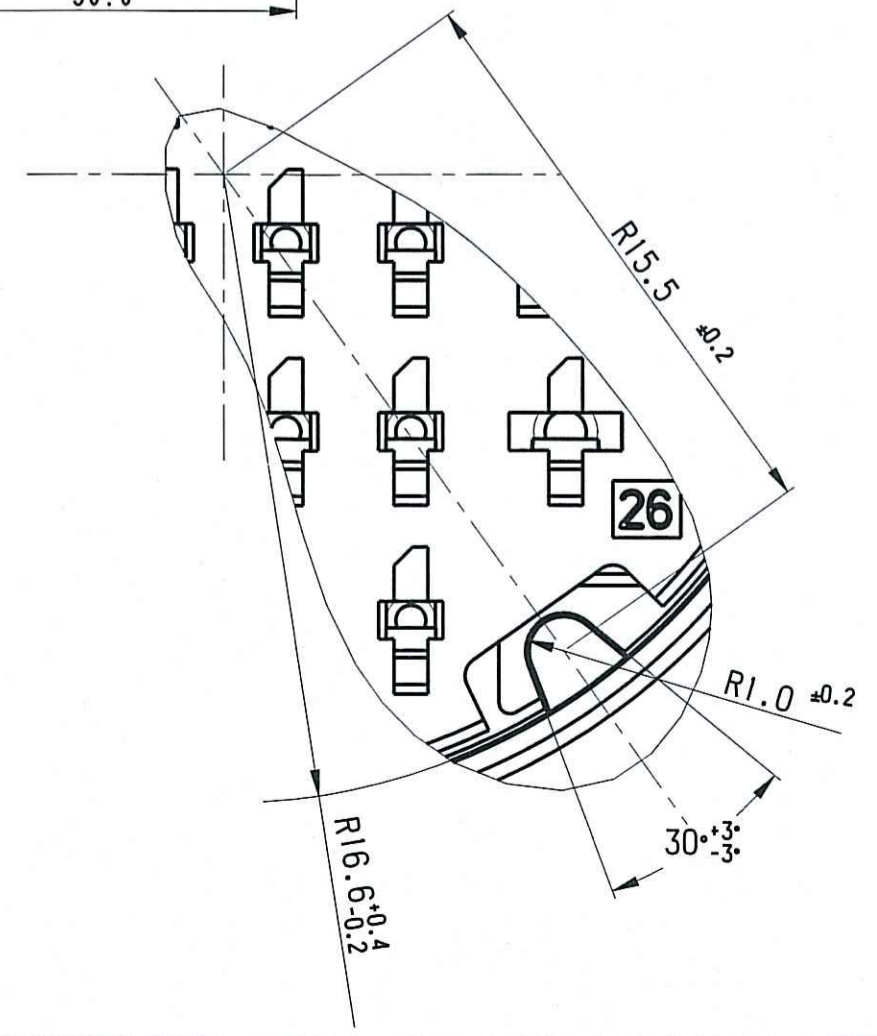
□ Clearance Area for External Gasket, after mating Male and Female Holder.
 - For use and mating operation : see spec. PU01734V

STRICTLY CONFIDENTIAL



(* For information

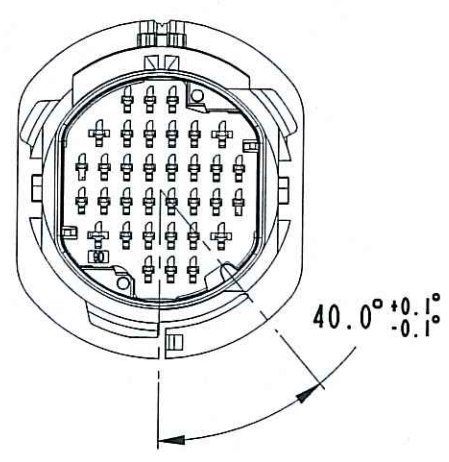
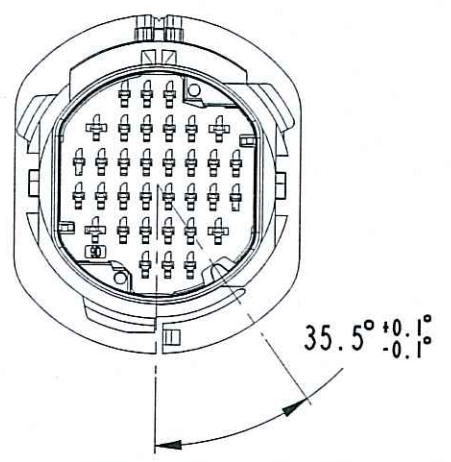
Note: Minimum external diameter authorized of wire :
 for 1.5 terminal = 1.40 mm. for 2.8 terminal = 1.75 mm



DETAIL X
 SCALE 5:1

03/11	10/02/11	09	-	ADDED DETAIL OF FIXING DEVICE (SHEET 2/2)	DXT	MYC
ECN-NO. NUMERO-ECN	DATE DATA	REVISION REVISIONE	POSITION POSIZIONE	CHANGE DESCRIPTION DESCRIZIONE MODIFICA	DRW BY DISEGNATORE	APPR. BY APPROVATO
PRODUCT SPEC. SPEC. DI PRODOTTO	PACKAGING SPEC. SPEC. DI IMBALLAGGIO	APPLICATION SPEC. SPEC. DI APPLICAZIONE	THIS DRAWING AND ALL OTHER INFORMATION CONTAINED THEREIN IS PROPRIETARY AND THE PROPERTY OF FCI. This drawing may not be copied, reproduced or disclosed to any third party without the expressed written permission of FCI. QUESTO DISEGNO ED OGNI ALTRA INFORMAZIONE IN ESSO CONTENUTA SONO ESCLUSIVAMENTE DI PROPRIETA' DELLA FCI. Questo disegno non puo' essere copiato, riprodotto o divulgato a terzi senza l'espresso consenso scritto della FCI. © FCI April 1999			
TOLERANCES TOLLERANZE	± 0.1 mm, 1 ± 0.5	MATERIAL MATERIALE	see note	SURFACE FINISH FINITURA SUPERFICIALE	CAD SYSTEM	
COUNTERPART No. CONTROPARTE Nr.	COLOUR COLORE	see note	FCI			
DO NOT SCALE DRAWING DISEGNO FUORI SCALA	TOOL NO.	LOC. CODE NAZIONALITA'	IT	ISO PROJECTION PROIEZIONE ISO		
DATE DATA	NAME NOME	TITLE DESCRIZIONE	DRAWING NUMBER NUMERO DISEGNO		pre / eng. DWG SIZE FORMATO	
18/4/01	F. Girard	DOOR TO BODY 34 WAYS ASSY MALE HOLDER	FSD 309253		A2	
18/4/01	P. Bigottio		FSD 309253		SHEET FOGLIO	
ESR NO. NUMERO ESR	FRA 713	CAT. NO. NUMERO CAT.	see sheet 2/2	FILE NAME NOME FILE	SCALE SCALA	
				FSD309253	1 / 2 1 : 1	

BODY	211PLPA34BKDB	PA6 30 GF	BLACK	
	211PLPA34GYBDB	PA6 30 GF	GREY	
GROMMET STOP	211PLPE34BKDB	PBT NATURAL	BLACK	34 WAYS
	211PLPE1040RGDB	PBT NATURAL	ORANGE	14 WAYS
	211PLPE184BNCDB	PBT NATURAL	BROWN	22 WAYS
GROMMET	211PLSY34RDGR	SYLICON RUBBER	RED	
SEC. LOCK FRONT	211PLPE34YESLFB	PBT 10 GF	YELLOW	
SEC. LOCK REAR	211PLPE34YESLRB	PBT 10 GF	YELLOW	
DESCRIPTION	PART NUMBER	MATERIAL	COLOUR	



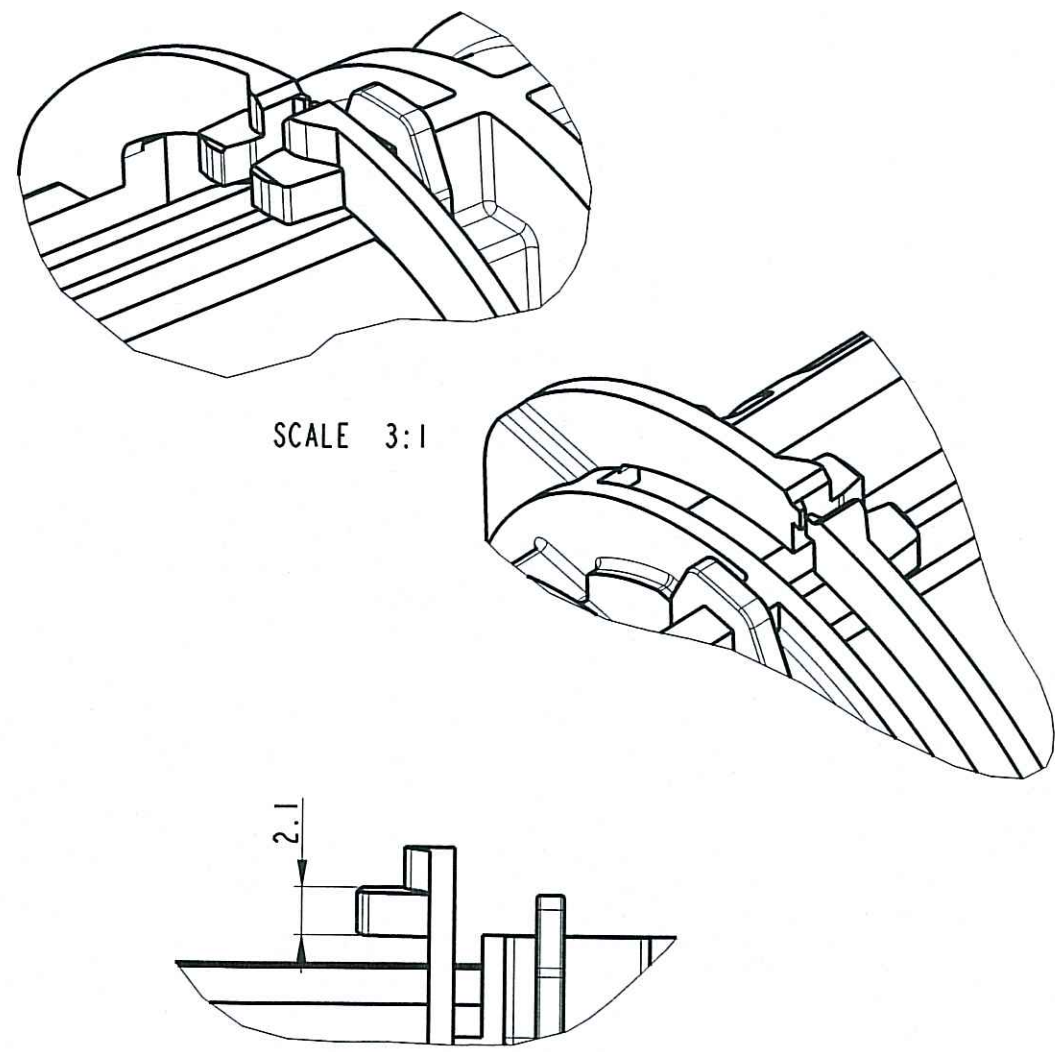
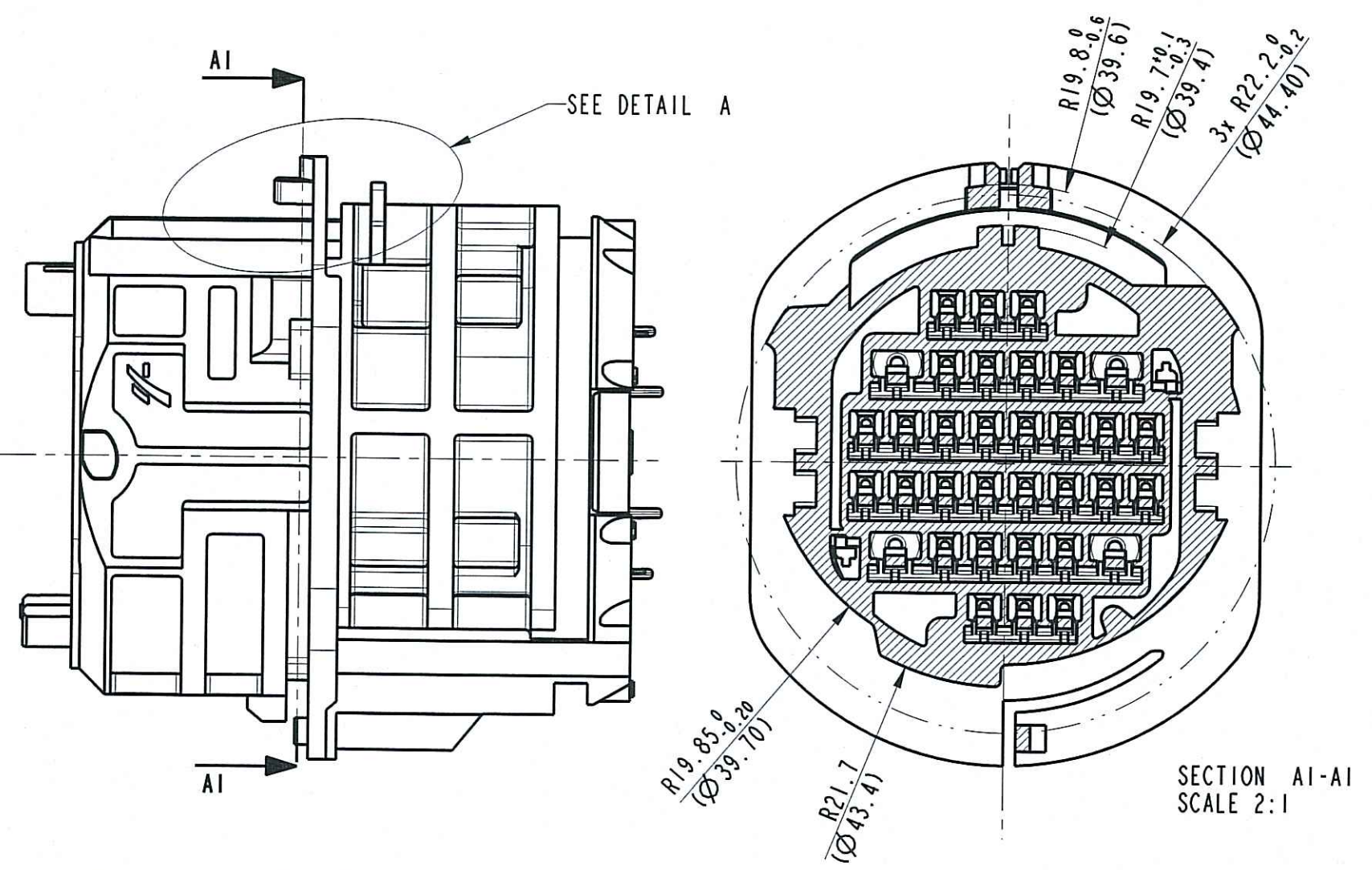
BLACK

GREY

34 WAYS	211 PL 34 9 S 0 033	211 PL 34 9 S 8 033
14 WAYS	211 PL 34 9 S 0 034	211 PL 34 9 S 8 034
22 WAYS	211 PL 34 9 S 0 035	211 PL 34 9 S 8 035

	34 WAYS	14 WAYS	22 WAYS
CAVITIES OPEN	ALL CAVITIES	3. 4. 5. 8. 9. 10. 17. 18 25. 26. 27. 30. 31. 32	1. 2. 3. 4. 5. 8. 9. 10. 11 16. 17. 18. 19. 24. 25. 26 27. 30. 31. 32. 33. 34

FIXING DEVICE TO METAL PART



- ALVEOLE SUIVANT STE 9630196299
- POSITION ALVEOLE SUIVANT STE 9638439099
- CONDITIONNEMENT SUIVANT NORME E7303150G
- MASS DU PRODUIT LIVRABLE = 45 gr.
- PRODUCT IN ACCORDANCE WITH 9638438999

CONNETIQUE SICMA

STRICTLY CONFIDENTIAL

03/11	10/02/11	09	ADDED DETAIL OF FIXING DEVICE (SHEET 2/2)	
ECN-NO. DATA	DATE DD/MM/YY	REVISION POSITION	CHANGE DESCRIPTION DESCRIZIONE MODIFICA	DRAWN BY CHN. BY APPR. BY
see note		see note		
<p>PRODUCT SPEC. SPEC. DI PRODOTTO</p> <p>PACKAGING SPEC. SPEC. DI IMBALLAGGIO</p> <p>APPLICATION SPEC. SPEC. DI APPLICAZIONE</p> <p>THIS DRAWING AND ALL OTHER INFORMATION CONTAINED THEREIN IS PROPRIETARY AND THE PROPERTY OF FCI. This drawing may not be copied, reproduced or disclosed to any third party without the expressed written permission of FCI.</p> <p>QUESTO DISEGNO ED OGNI ALTRA INFORMAZIONE IN ESSO CONTENUTA SONO ESCLUSIVI E DI PROPRIETA' DELLA FCI. Questo disegno non puo' essere copiato, riprodotto o divulgato a terzi senza l'espresso consenso scritto della FCI.</p> <p>© FCI April 1999</p>				
TOLERANCES TOLLERANZE	± 0.1 mm. / ± 0.5	MATERIAL : MATERIALE	see note	SURFACE FINISH FINITURA SUPERFICIALE
DO NOT SCALE DRAWING DISEGNO FUORI SCALA		TOOL NO.		LOC. CODE NAZIONALITA' F
DRAWN BY DISEGNATORE	18/4/01	NAME NOME	F. Girard	TITLE DESCRIZIONE
CHECKED BY CONTROLLATO	18/4/01		PC. Bigello	DOOR TO BODY 34 WAYS ASSY MALE HOLDER
APPROVED BY APPROVATO		ESR NO. NUMERO ESR	FRA 713	CAT. NO. NUMERO CAT. see table
		DRAWING NUMBER NUMERO DISEGNO	FSD 309253	FILE NAME NOME FILE
				FSD309253
				SCALE 1:1

X-ON Electronics

Largest Supplier of Electrical and Electronic Components

Click to view similar products for [Automotive Connectors](#) category:

Click to view products by [APTIV](#) manufacturer:

Other Similar products are found below :

[003-018-000](#) [60993906-B](#) [M902-2131](#) [M902-2161](#) [M902-2344](#) [72.330.1035.1](#) [73.353.4028.0](#) [F166900](#) [F358300-B](#) [F407400](#) [776880-1](#)
[827153-1](#) [8N1515-32-24P](#) [9-1326729-8](#) [925474-1](#) [928905-1](#) [964562-4](#) [968782-1](#) [98891-1012](#) [12004475-L](#) [12020308](#) [12041318-B](#)
[12052466](#) [12064869](#) [12015909](#) [1-21030-1](#) [12041254](#) [12041318](#) [12047946-B](#) [12110546-B](#) [12131792](#) [12084688](#) [12092346](#) [HD34-18-14PT](#)
[HD46-24-23SN-059](#) [HDB36-24-16PN-059](#) [HDP26-24-9SE-L015](#) [12185280](#) [12185550](#) [12336-12](#) [12191172-B](#) [12S](#) [13545280](#) [13577943](#)
[13681974](#) [13737722-B](#) [13830674](#) [13832576](#) [13849772](#) [13542772](#)