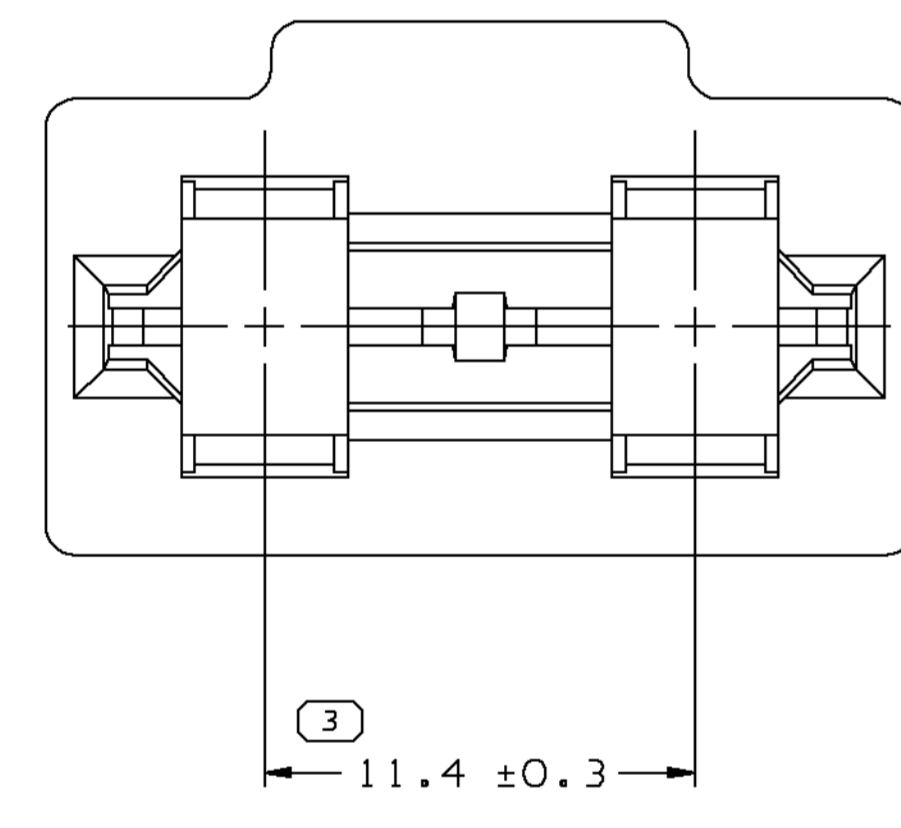
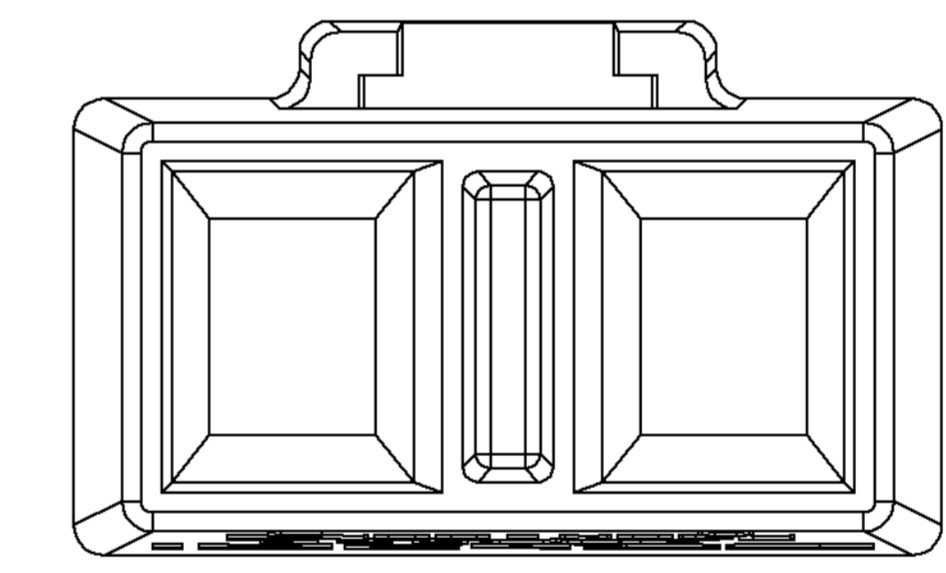
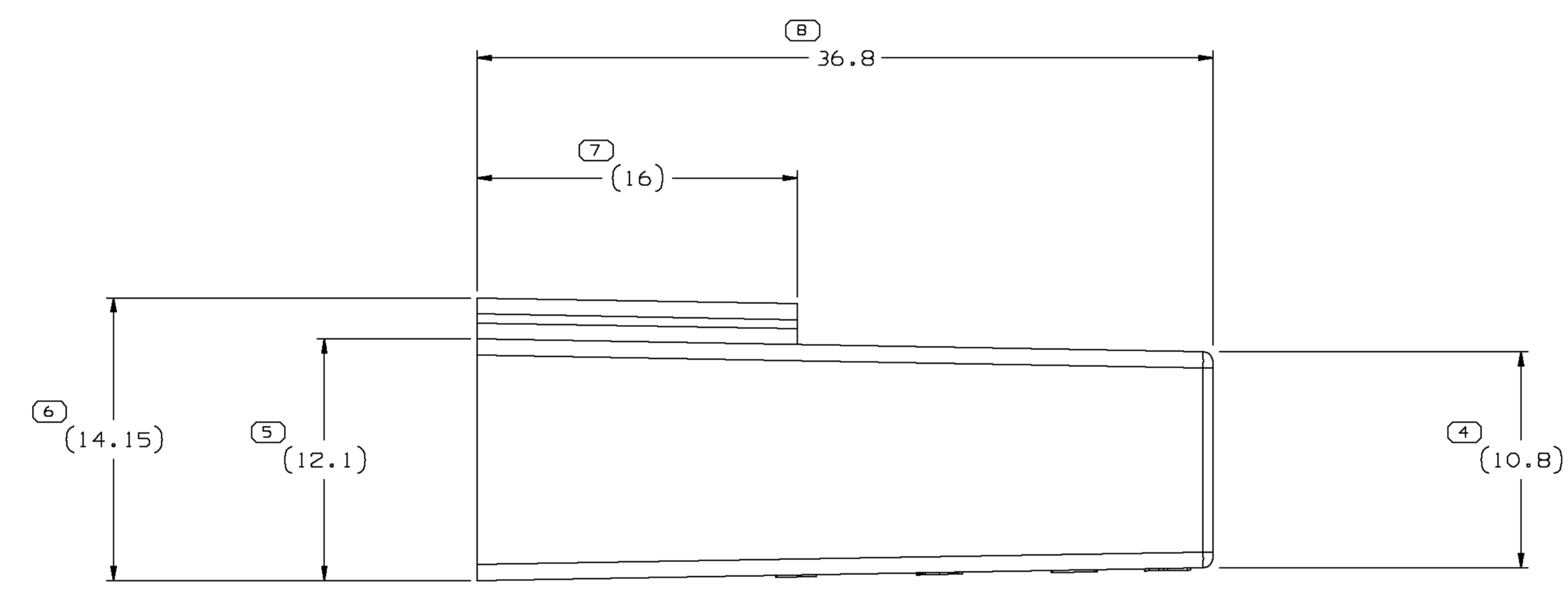
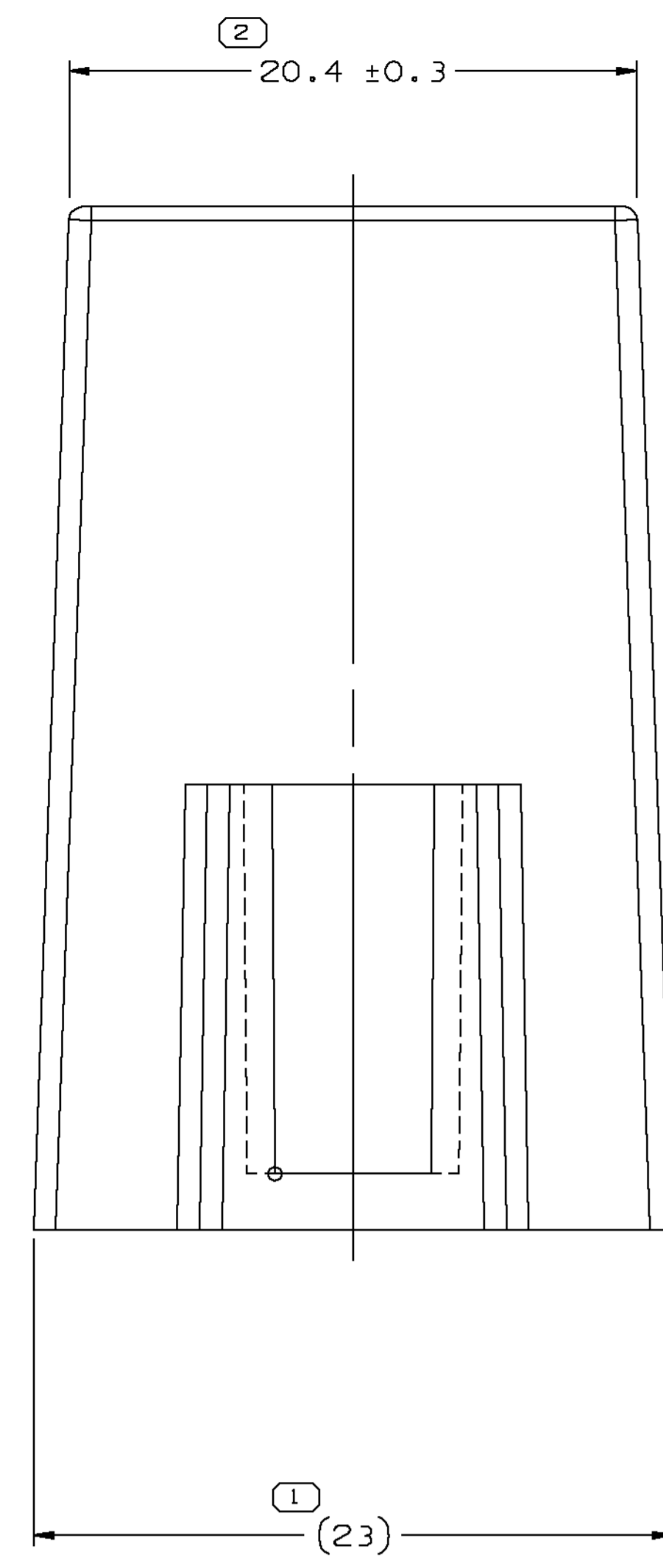
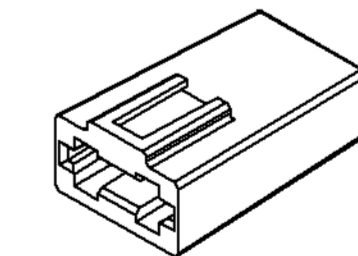


SYMBOL DEFINITION		MISSING SYMBOLS	
A DIMENSION WITHOUT AN INSPECTION REPORT SYMBOL DOES NOT REQUIRE INSPECTION. IT MAY BE CONTROLLED ON THE INDIVIDUAL COMPONENT DRAWING.	TOTAL NO OF INSPECTIONS REQUIRED	NO MISSING SYMBOL NUMBER	
	LAST NO. USED		

DWG STATUS				REVISION HISTORY				AUTH	DR	APVD	APVD
DATE	STG	REV	W/P	CHG	ZONE						
14JUN02	R	B2	-	-		REDRAWN TO PD, ADDED OPTIONAL LOGO & MATERIAL RECYCLING CODE NOTES AND REVISED MATERIAL SPEC	226734	EOV	EOV	1	2
25JUN02	R	O3	-	-		MAT'L SPEC WAS M3596002 PA66 BLK	227133	06G	RCH	AL	



- NOTES
- UNLESS OTHERWISE SPECIFIED AND/OR INDICATED: DIMENSIONS ARE TO FACE OF VIEW SHOWN AND AUTOMATICALLY ROUNDED BY COMPUTER FOR INSPECTION (SEE MATH MODEL FOR PRECISE DIMENSIONS). FOR ALL OTHER DIMENSIONS NOT SHOWN BUT REQUIRED FOR TOOL BUILD, SEE MATH MODEL FOR PRECISE TOOL PATH DATA.
 - MATERIAL RECYCLING CODE >PA66< PER SAE J1344. (1.75)X(0.1) RAISED CHARACTERS AS SHOWN TO BE LOCATED ON ANY EXTERIOR SURFACE. OPTIONAL CONSTRUCTION TO BE NO MATERIAL RECYCLING CODE.
 - MATING COMPONENTS OR EQUIVALENT: FUSE-AUTOFUSE 12004005
 - THIS PART ACCEPTS THE FOLLOWING COMPONENTS OR EQUIVALENT: TERMINAL 12004553
 - (1.75)X(0.1) RAISED DELPHI CORPORATE BRAND TO BE LOCATED ON ANY EXTERIOR SURFACE, PREFERABLY VISIBLE AT FINAL ASSEMBLY. OPTIONAL CONSTRUCTION TO BE "PED" OR NO LOGO.



	PROCESS SENSITIVE DIMENSION		THIRD ANGLE PROJECTION		DO NOT SCALE
	DIMENSIONS ENCLOSED IN () INDICATE REFERENCE DIMENSIONS AND NO TOLERANCE LIMITS ARE ESTABLISHED		USE MATH DATA		

	R 0.1 MAX SHARP CORNER TOLERANCE																														
	<table border="1"> <tr> <th>DIMENSIONAL RANGE (MM)</th> <th>CHART</th> <th>ET</th> </tr> <tr> <td>FROM 0 TO 20</td> <td>20</td> <td>20</td> </tr> <tr> <td>20 TO 30</td> <td>30</td> <td>30</td> </tr> <tr> <td>30 TO 70</td> <td>70</td> <td>70</td> </tr> <tr> <td>70 TO 100</td> <td>100</td> <td>100</td> </tr> <tr> <td>100 TO 150</td> <td>150</td> <td>150</td> </tr> <tr> <td>150 TO 200</td> <td>200</td> <td>200</td> </tr> <tr> <td>200 TO 250</td> <td>250</td> <td>250</td> </tr> <tr> <td>250 TO 300</td> <td>300</td> <td>300</td> </tr> <tr> <td>300 TO 400</td> <td>400</td> <td>400</td> </tr> </table>	DIMENSIONAL RANGE (MM)	CHART	ET	FROM 0 TO 20	20	20	20 TO 30	30	30	30 TO 70	70	70	70 TO 100	100	100	100 TO 150	150	150	150 TO 200	200	200	200 TO 250	250	250	250 TO 300	300	300	300 TO 400	400	400
DIMENSIONAL RANGE (MM)	CHART	ET																													
FROM 0 TO 20	20	20																													
20 TO 30	30	30																													
30 TO 70	70	70																													
70 TO 100	100	100																													
100 TO 150	150	150																													
150 TO 200	200	200																													
200 TO 250	250	250																													
250 TO 300	300	300																													
300 TO 400	400	400																													

DELPHI	
DELPHI PACKARD ELECTRIC SYSTEMS WARREN, OH	
DR	DATE
APVD1 S. MARGRAVE	14FE78
APVD2 T. MUDREY	15FE78
APVD3 J.R. SAVICH	20FE78
APVD4	
APVD5	
SUBSTANCES OF CONCERN AND RECYCLED CONTENT PER DELPHI 10949001	
MATERIAL M3592001 - PA66 1M HS BLK	
DRAWING NAME	
CENT FUS BLK PAC/ON III BLK PRINTED	
DRAWING NUMBER	
12010105	
SIZE A0	SCALE 5:1
FRAME NO 1	SHEET NO 1 OF 1
STG REV R	03

X-ON Electronics

Largest Supplier of Electrical and Electronic Components

Click to view similar products for [Automotive Connectors](#) category:

Click to view products by [APTIV](#) manufacturer:

Other Similar products are found below :

[003-018-000](#) [60403001](#) [60993906-B](#) [629515004020001](#) [M902-2131](#) [M902-2161](#) [72.330.1035.1](#) [73.353.4028.0](#) [F119300-B](#) [F166900](#)
[F258300-B](#) [F358300-B](#) [F407400](#) [F444110](#) [F487000](#) [F509500B-B](#) [827153-1](#) [8N1515-32-24P](#) [9-1326729-8](#) [925474-1](#) [928905-1](#) [964562-4](#)
[968782-1](#) [GT17SA-8DS-HU](#) [98891-1012](#) [98947-1016](#) [12004475-L](#) [12010290](#) [12010309-B](#) [12015454](#) [12020219-B](#) [12020308](#) [12041318-B](#)
[12052225-L](#) [12052466](#) [12059125](#) [12064869](#) [12004327-B](#) [12010503-B](#) [12015308](#) [12015384](#) [12015909](#) [1-21030-1](#) [12041254](#) [12041318](#)
[12047946-B](#) [12047957](#) [12047957-L](#) [12059473](#) [12066261](#)