

D

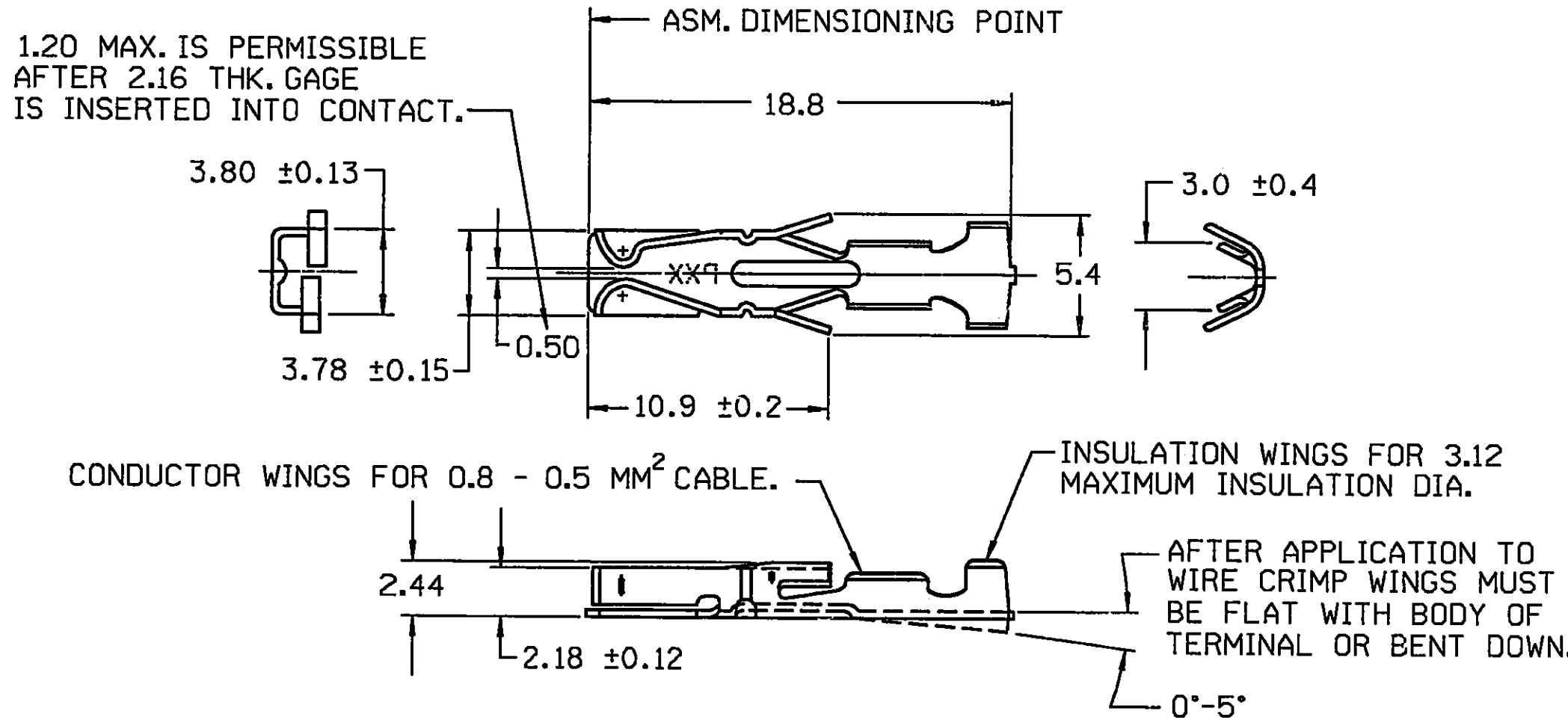
THIS DRAWING AND DESIGN HEREON CONSTITUTES A PROPRIETARY DESIGN OF PACKARD ELECTRIC DIVISION AND IS NOT TO BE DUPLICATED OR REPRODUCED WITHOUT AUTHORITY OF PACKARD ELECTRIC DIVISION.

DO NOT SCALE

PART NO. 1201 0237

PACKARD ELECTRIC DIVISION  
GENERAL MOTORS CORPORATION  
WARREN, OHIO

76V  
141-P  
2-P-C/N



- NOTE** — 1. "PXX" INDICATES "P" PLUS LAST TWO DIGITS OF MAKE SERIES NUMBER (P01, P02, P03, ETC).  
 2.- DO NOT PROBE, TEST OR OTHERWISE CONTACT THE INTERIOR REGION (THE SPRING OR ANY MOVING PART) OF THIS TERMINAL. SEVERE DAMAGE CAN OCCUR, COMPROMISING THE PERFORMANCE OF THE ELECTRICAL INTERFACE.

DATE	SYM	REVISION RECORD	AUTHORITY	DR	CK
16MR88	—	REDRAWN WITH NO PHYSICAL CHANGE			
		THRU REV "B"	118303	DJP	JC
16MR88	C	REVISED TERMINAL CONTACT ARM	118712	DJP	JC
17MR89	D	PXX WAS PED & ADDED NOTE #1	125424	DJP	DJP
13AU90	D1	ADDED "AFTER CRIMP ALLOWABLE WING BEND" NOTE	136070	BAR	BAR
14NO06	D2	UPDATED PDM ATTRIBUTES	286735	GLG	JVM

PED/INTEGRAPH		FILE SPEC:	RUBERTO.B Z60:115,2773120102370.001:2 13-AUG-1990 05:33
THIRD ANGLE PROJECTION		METRIC DIMENSIONS ARE IN MILLIMETERS UNLESS OTHERWISE SPECIFIED.	
CODE NO.	6900	TOLERANCE UNLESS OTHERWISE SPECIFIED DECIMAL: ANGULAR ± 2° ONE PLACE ± 0.3 TWO PLACE ± 0.15	
Q.C.		DR.	NICK PREGIBON 28AU78
DWG. DATE	17AU77	SCALE	NONE
EST. NO.		CK.	R. WHETSON DATE 29AU78
REFERENCE NO.	12048360 "D" SIZE	APPR.	J. L. WINGER DATE 30AU78
MATERIAL SPEC.	0.32 THK. SAE CA260 BRASS		
NAME	TERM LP SOC MINI WGE BSE		
PART NO.	1201 0237	SIZE	B
OUTLINE DRAWING			

## X-ON Electronics

Largest Supplier of Electrical and Electronic Components

*Click to view similar products for [Automotive Connectors](#) category:*

*Click to view products by [APTIV](#) manufacturer:*

Other Similar products are found below :

[003-018-000](#) [60403001](#) [60993906-B](#) [629515004020001](#) [M902-2131](#) [M902-2161](#) [72.330.1035.1](#) [73.353.4028.0](#) [F119300-B](#) [F166900](#)  
[F258300-B](#) [F358300-B](#) [F407400](#) [F444110](#) [F487000](#) [F509500B-B](#) [827153-1](#) [8N1515-32-24P](#) [9-1326729-8](#) [925474-1](#) [928905-1](#) [964562-4](#)  
[968782-1](#) [GT17SA-8DS-HU](#) [98891-1012](#) [98947-1016](#) [12004475-L](#) [12010290](#) [12010309-B](#) [12015454](#) [12020219-B](#) [12020308](#) [12041318-B](#)  
[12052225-L](#) [12052466](#) [12059125](#) [12064869](#) [12004327-B](#) [12010503-B](#) [12015308](#) [12015384](#) [12015909](#) [1-21030-1](#) [12041254](#) [12041318](#)  
[12047946-B](#) [12047957](#) [12047957-L](#) [12059473](#) [12066261](#)