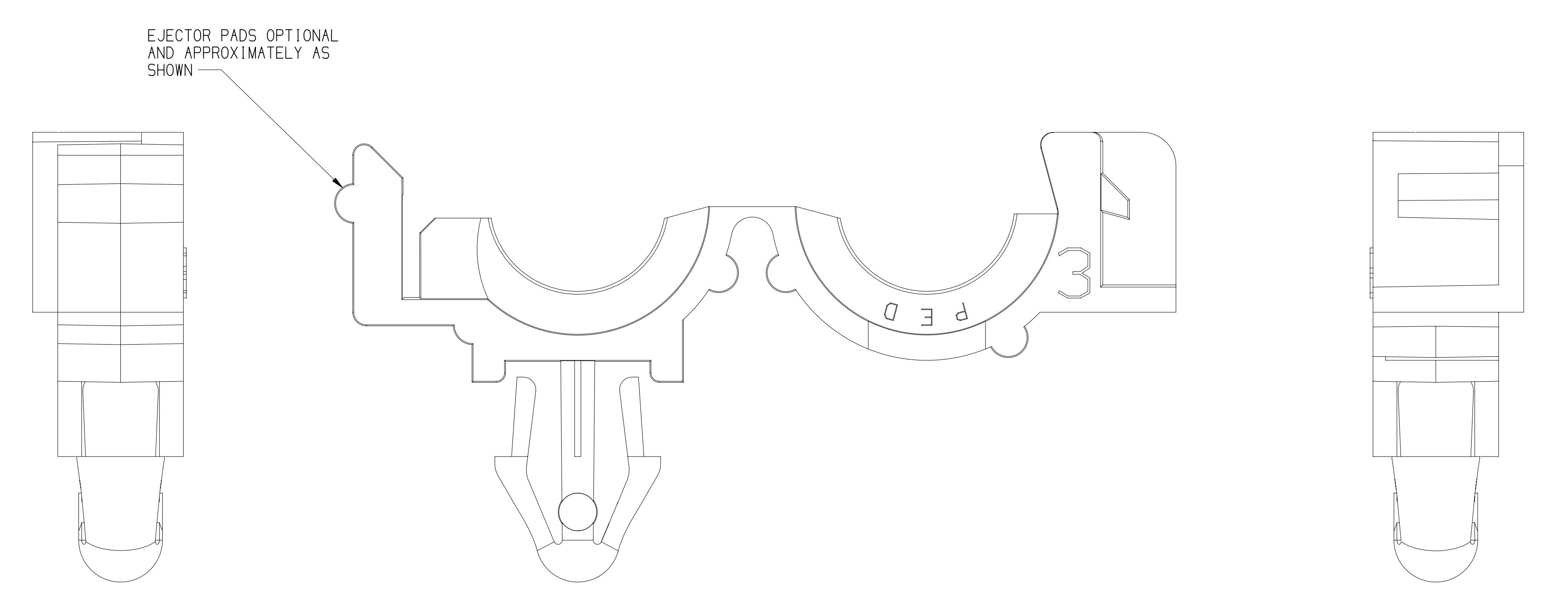
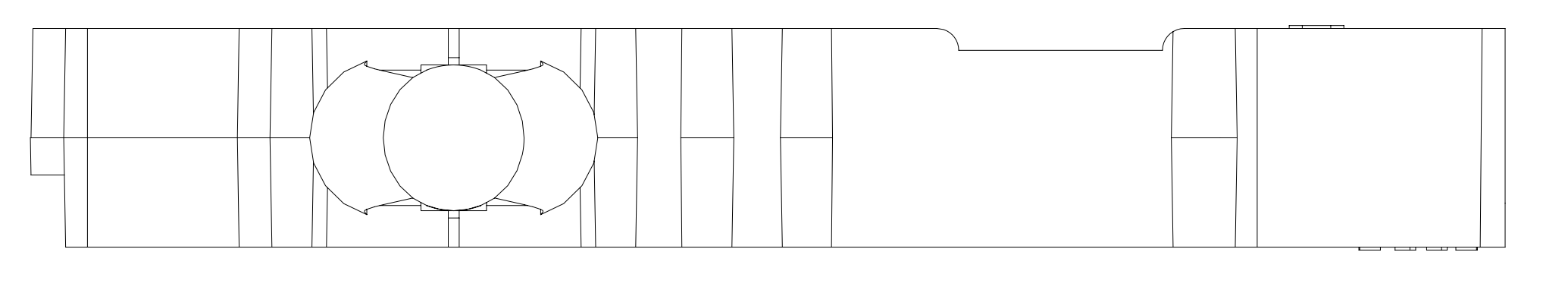
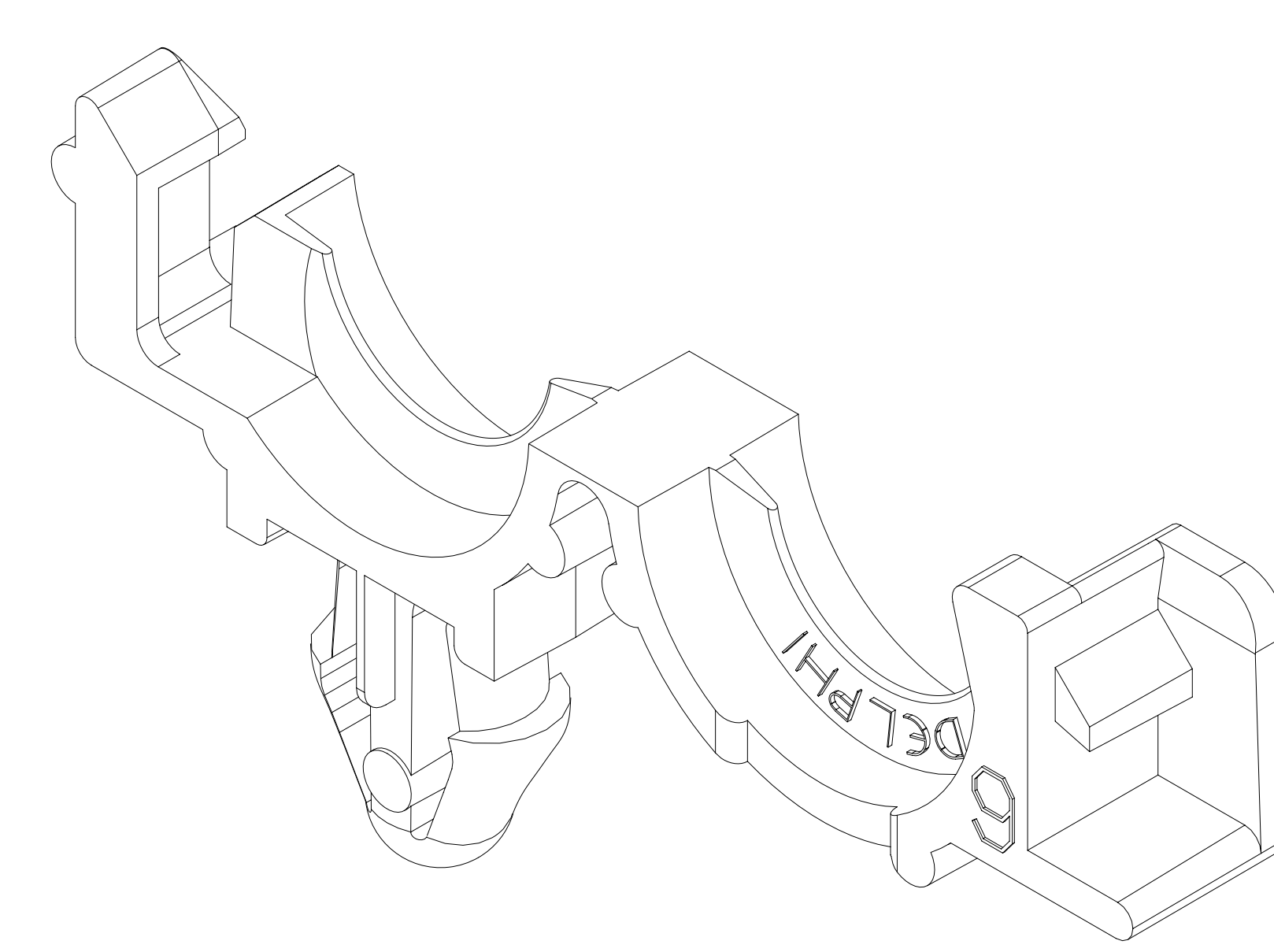
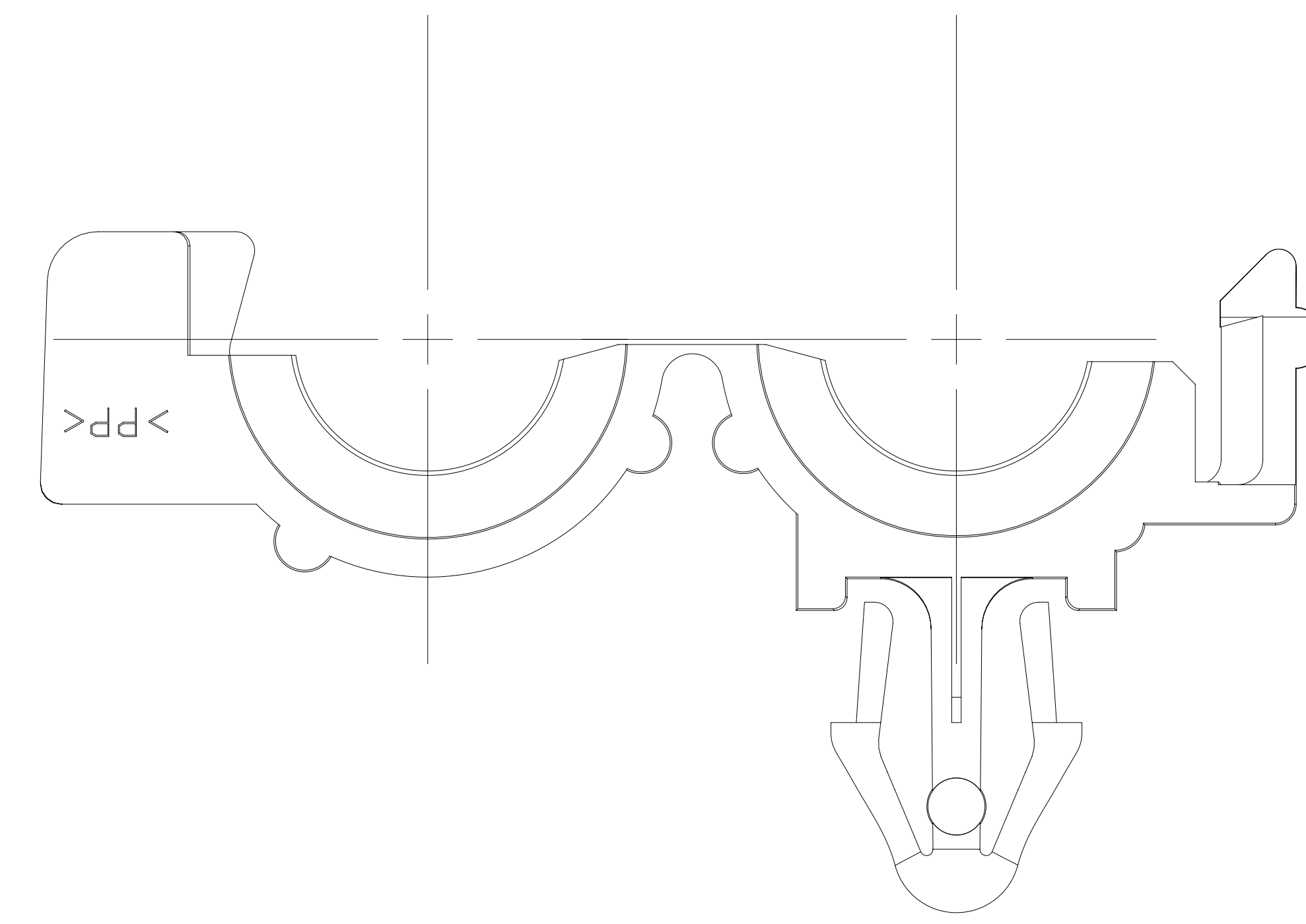
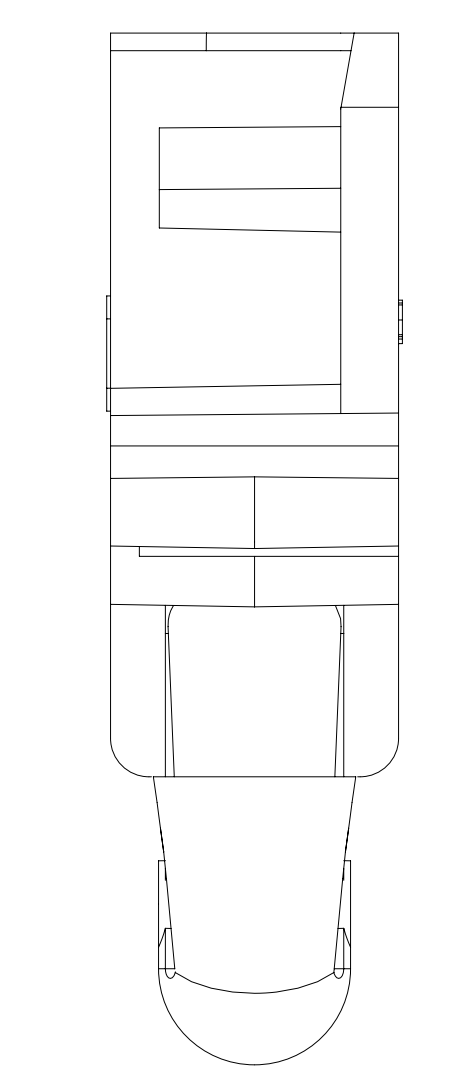
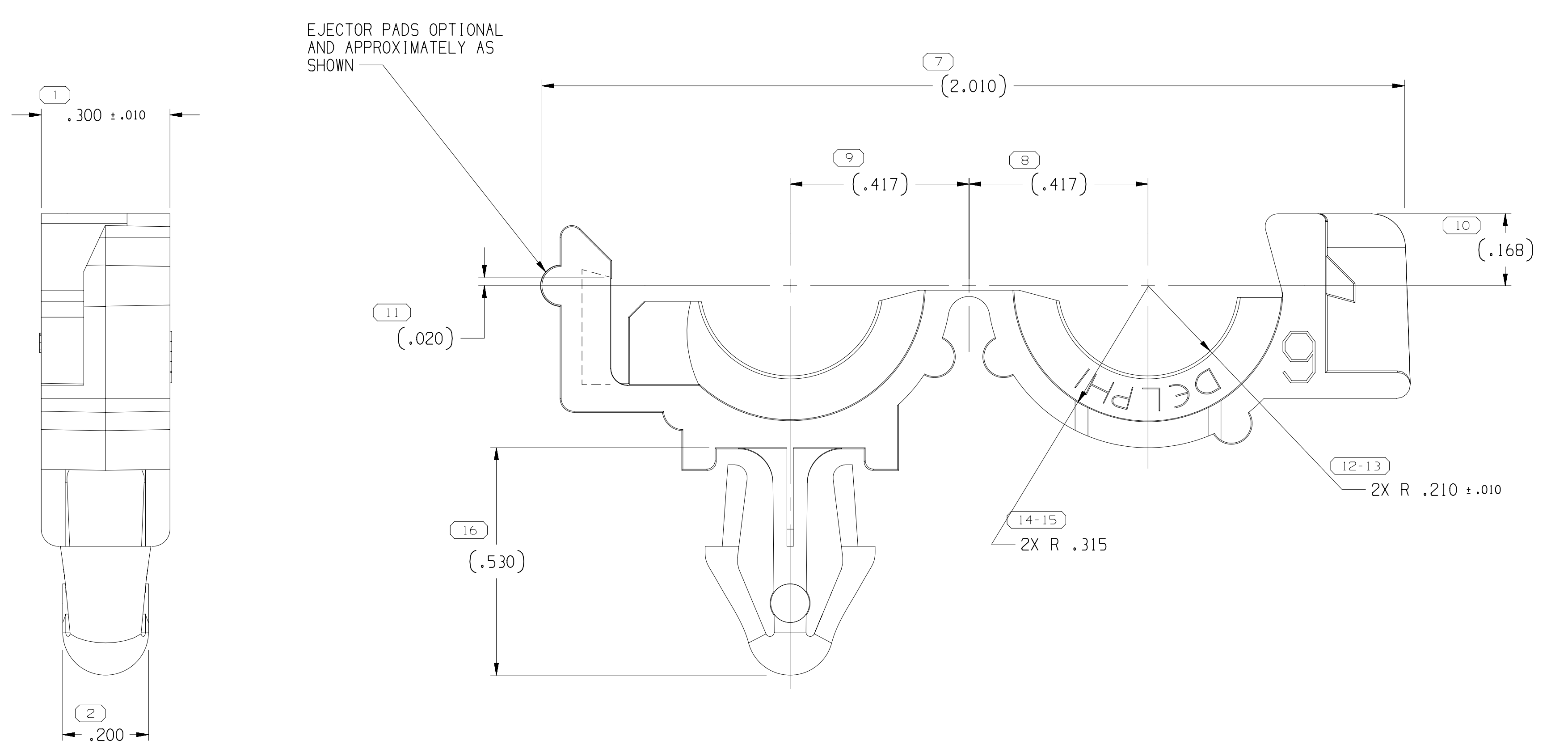
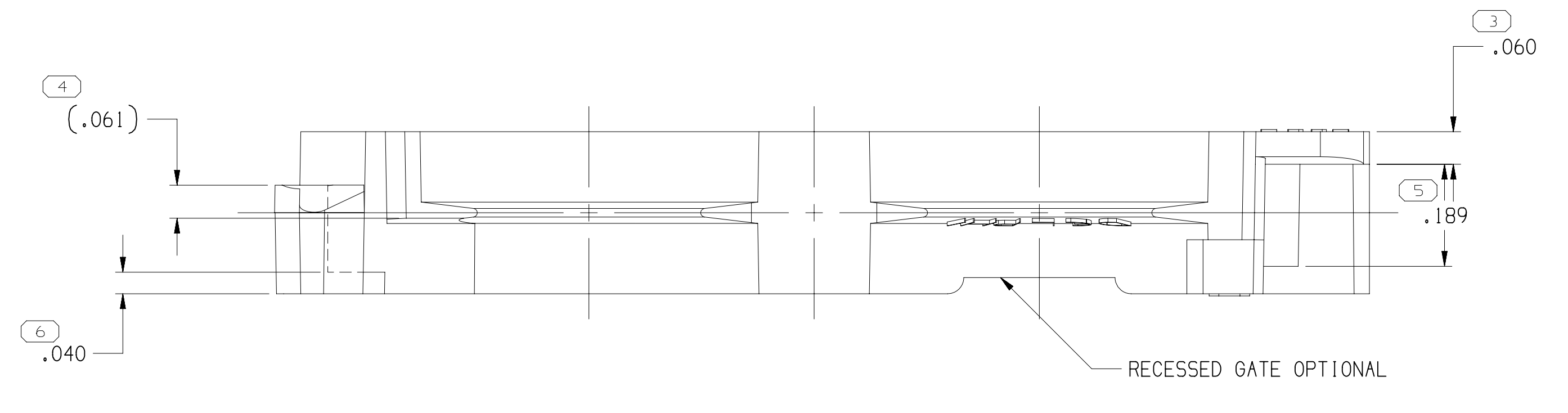


SYMBOL DEFINITION			MISSING NUMBERS	
THE NUMBER INSIDE THE SYMBOL CORRESPONDS TO THE NUMBER ON THE INSPECTION REPORT FOR THIS DRAWING/PART NUMBER	TOTAL NO. OF SYMBOLS ON DRAWING	14		
	LAST NO. USED	16		

DWG STATUS					REVISION HISTORY				AUTH		DR		APVD	
DATE	STG	REV	N/P	CHG	ZONE									
23JL02	R	03	-	-		ALL PARTS - CLEARED REV COL, ADDED DELPHI LOGO, MAT'L RECYCLING CODE & NOTES (2 PLCS) & UPDATED MAT'L SPEC				225218	ESF	EAR	ET	
04CC02	R	04	-	-		12010365 - UPDATED PDM ATTRIBUTES				231462	BRB	BRB	FR	
12MY03	R	05	-	-		ALL PARTS - ADDED OPTIONAL CONSTRUCTION, REVISED WALL & CONDUIT SIZE NUMBER				239507	GEG	GEG	FR	
10JL03	R	06	-	-		ALL PARTS - REVISED GRAPHICS & ADDED NOTES (2 PLCS)				242840	RCH	RCH	FR	
04SE03	R	07	-	-		ALL PARTS - REVISED GRAPHICS AND ADDED NOTE				245517	AFW	EAR	FR	
09JA04	R	08	-	-		ALL PARTS - REVISED GRAPHICS				250406	ADK	ADK	MLP	
14NO18	R	09	-	-		ALL PARTS - UPDATED DESIGN & ENGINEERING CONTROL AND ADDED NOTE				441471	LVD	JAA	RJR	



OPTIONAL CONSTRUCTION

NOTES

- UNLESS OTHERWISE SPECIFIED AND/OR INDICATED, DIMENSIONS ARE TO FACE OF VIEW SHOWN AND AUTOMATICALLY ROUNDED BY COMPUTER FOR INSPECTION (SEE MATH MODEL FOR PRECISE DIMENSIONS). FOR ALL OTHER DIMENSIONS NOT SHOWN BUT REQUIRED FOR TOOL BUILD, SEE MATH MODEL FOR PRECISE TOOL PATH DATA.
- RECOMMENDED HOLE SIZE FOR CLIP .240 - .260 DIA HOLE IN .150 MAX THICK STOCK.
- THIS PART TO FIT .35 I.D. CONVOLUTED CONDUIT.
- MATERIAL RECYCLING CODE PER ISO 11469, (0.11X10.011) CHARACTERS AS SHOWN TO BE LOCATED ON ANY EXTERIOR SURFACE.
- CORPORATE BRAND TO BE APPLIED TO PRODUCT DESIGN PER THE LATEST REVISION OF ESD S1085201.

THE DESIGN AND ENGINEERING CONTROL OF THIS COMPONENT HAS BEEN TRANSFERRED TO APTIV/HELLERMANNTYTON

A LINE DRAWN THROUGH A PART NUMBER INDICATES THAT PHYSICAL PARTS ARE NOT AVAILABLE FOR ORDERING. PART NUMBERS THAT DO NOT HAVE A LINE PRESENT INDICATE THAT PHYSICAL PARTS ARE AVAILABLE FOR ORDERING. CONTACT APTIV SALES TO ASSURE AVAILABILITY OF PARTS.

DWG TYPE: PART DRAWING

STYLE: SEE CHART

DISTR CODE: D

VOLUME TYP: SEE CHART

UNLESS OTHERWISE SPECIFIED THIS DOCUMENT IS IN ACCORDANCE WITH ASME Y14.5M-1994 AS AMENDED BY THE 04/2000 DIMENSIONING AND TOLERANCING ADDENDUM (2002). ALL GEOMETRIC TOLERANCES AND RELATED DATUMS APPLY BY DEFAULT TO PERFECT FORM AS MUCH DOES NOT APPLY WHEN RELATIONSHIP BETWEEN FEATURES IS ESTABLISHED BY DIMENSION OR LOCATION TOLERANCES, REGARDLESS OF DATUM REFERENCE. SEPARATE POSITION DILATIONS MAY BE QUOTED SEPARATELY. ALL DIMENSIONS ARE IN INCHES.

APTIV

CONNECTION SYSTEMS

WARREN, OH

COPYRIGHT 1997 APTIV. ALL RIGHTS RESERVED.

THIS DRAWING IS THE PROPERTY OF APTIV AND CONTAINS APTIV CONFIDENTIAL INFORMATION. THE REPRODUCTION, DISTRIBUTION AND UTILIZATION OF THIS DOCUMENT OR ITS RELATED CAD DATA SHALL AS WELL AS COMMUNICATION OF ANY CONTENTS TO OTHERS, WITHOUT EXPRESS AUTHORIZATION, IS PROHIBITED.

DR		DATE	
APV01	H. CASTRILLON	03DE97	
APV02	L. R. MOYSEN M	09DE97	
APV03	E. TRACEY	17DE97	
APV04			
APV05			

SUBSTANCES OF CONCERN AND RECYCLED CONTENT PER APTIV 10949001

DRAWING NAME: TAXI MOUN CLIP CDT ROSEBUD

DRAWING NUMBER: 15336139

SIZE: A0 SCALE: 5:1 FRAME NO: 1 OF 1 SHEET NO: 1 OF 1 STG: REV: N/P: R 09

PROCESS SENSITIVE DIMENSION	INDICATE INTERFERE DIMENSIONS AND NO TOLERANCE LIMITS ARE ESTABLISHED	CHART	CHART
FROM	TO	> .250	> 4.000
TO	FROM	> 1.250	> 2.000
TOLERANCE UNLESS OTHERWISE SPECIFIED		± .005	± .010
ANGULAR TOLERANCE		±2°	±3°

PART NO	STG	REV	N/P	MATERIAL SPECIFICATION AND COLOR	VOLUME
15336097	R	A9		POLYPROPYLENE COMPOUND GRAY	1.574
12010365	R	D14		POLYPROPYLENE COMPOUND BLACK	1.574
MATERIAL SPECIFICATION AND COLOR					

X-ON Electronics

Largest Supplier of Electrical and Electronic Components

Click to view similar products for [Automotive Connectors](#) category:

Click to view products by [APTIV](#) manufacturer:

Other Similar products are found below :

[003-018-000](#) [60993906-B](#) [M902-2131](#) [M902-2161](#) [M902-2344](#) [72.330.1035.1](#) [73.353.4028.0](#) [F166900](#) [F358300-B](#) [F407400](#) [776880-1](#)
[827153-1](#) [8N1515-32-24P](#) [9-1326729-8](#) [925474-1](#) [928905-1](#) [964562-4](#) [968782-1](#) [98891-1012](#) [12004475-L](#) [12020308](#) [12041318-B](#)
[12052466](#) [12064869](#) [12015909](#) [1-21030-1](#) [12041254](#) [12041318](#) [12047946-B](#) [12110546-B](#) [12131792](#) [12084688](#) [12092346](#) [HD34-18-14PT](#)
[HD46-24-23SN-059](#) [HDB36-24-16PN-059](#) [HDP26-24-9SE-L015](#) [12185280](#) [12185550](#) [12336-12](#) [12191172-B](#) [12S](#) [13545280](#) [13577943](#)
[13681974](#) [13737722-B](#) [13830674](#) [13832576](#) [13849772](#) [13542772](#)