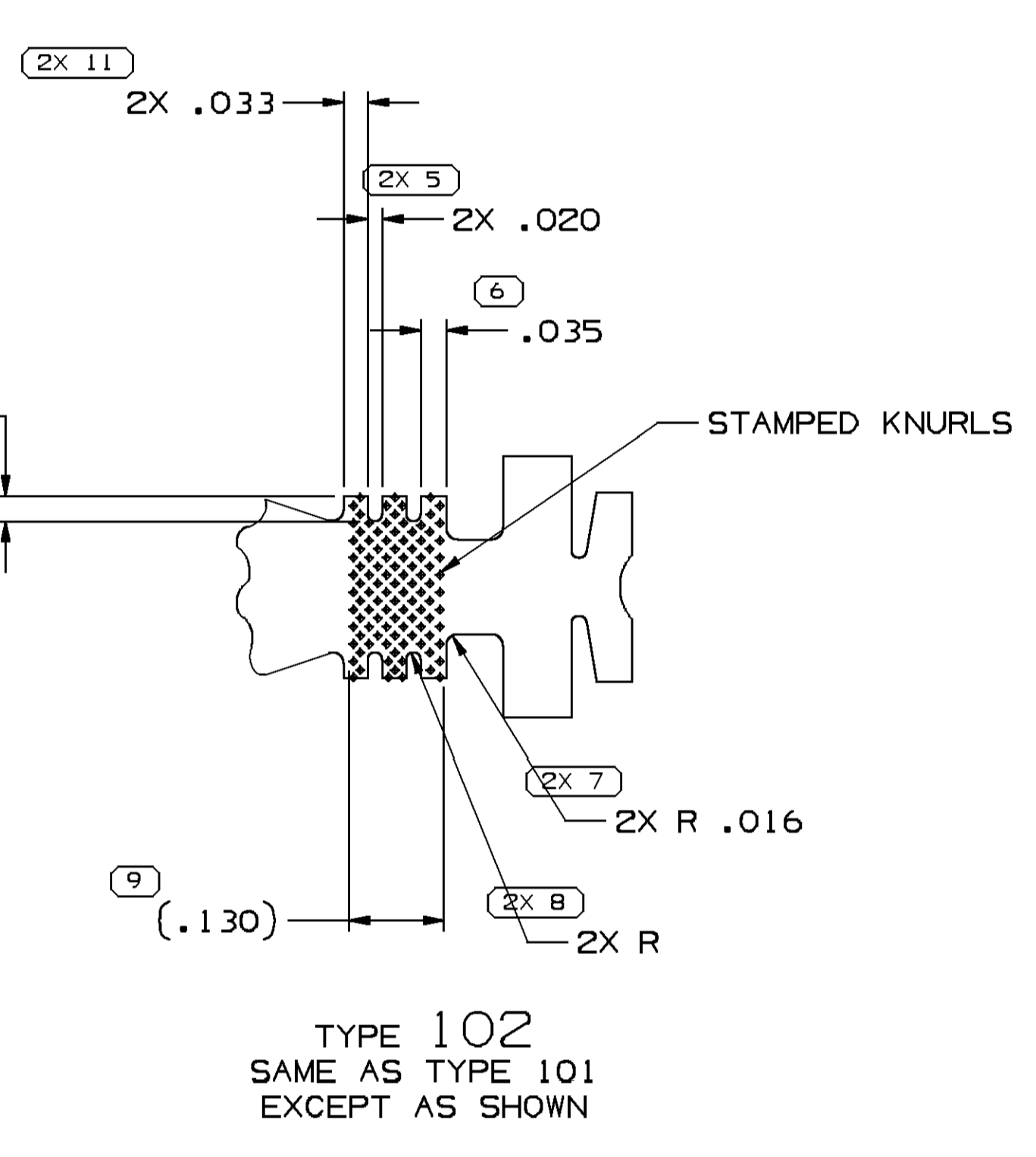
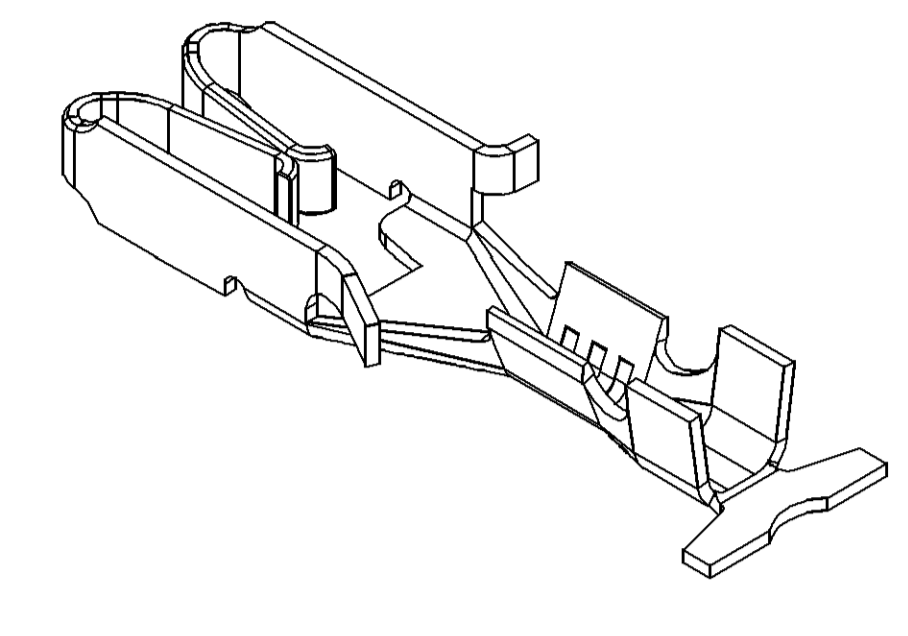
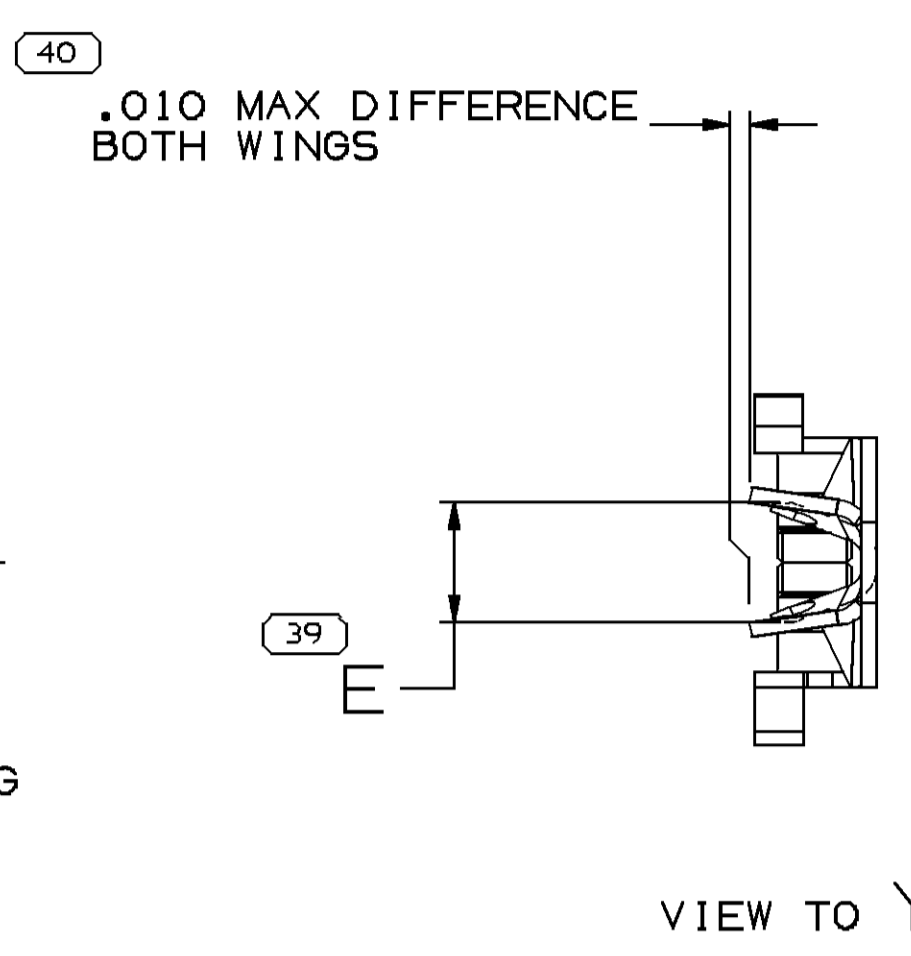
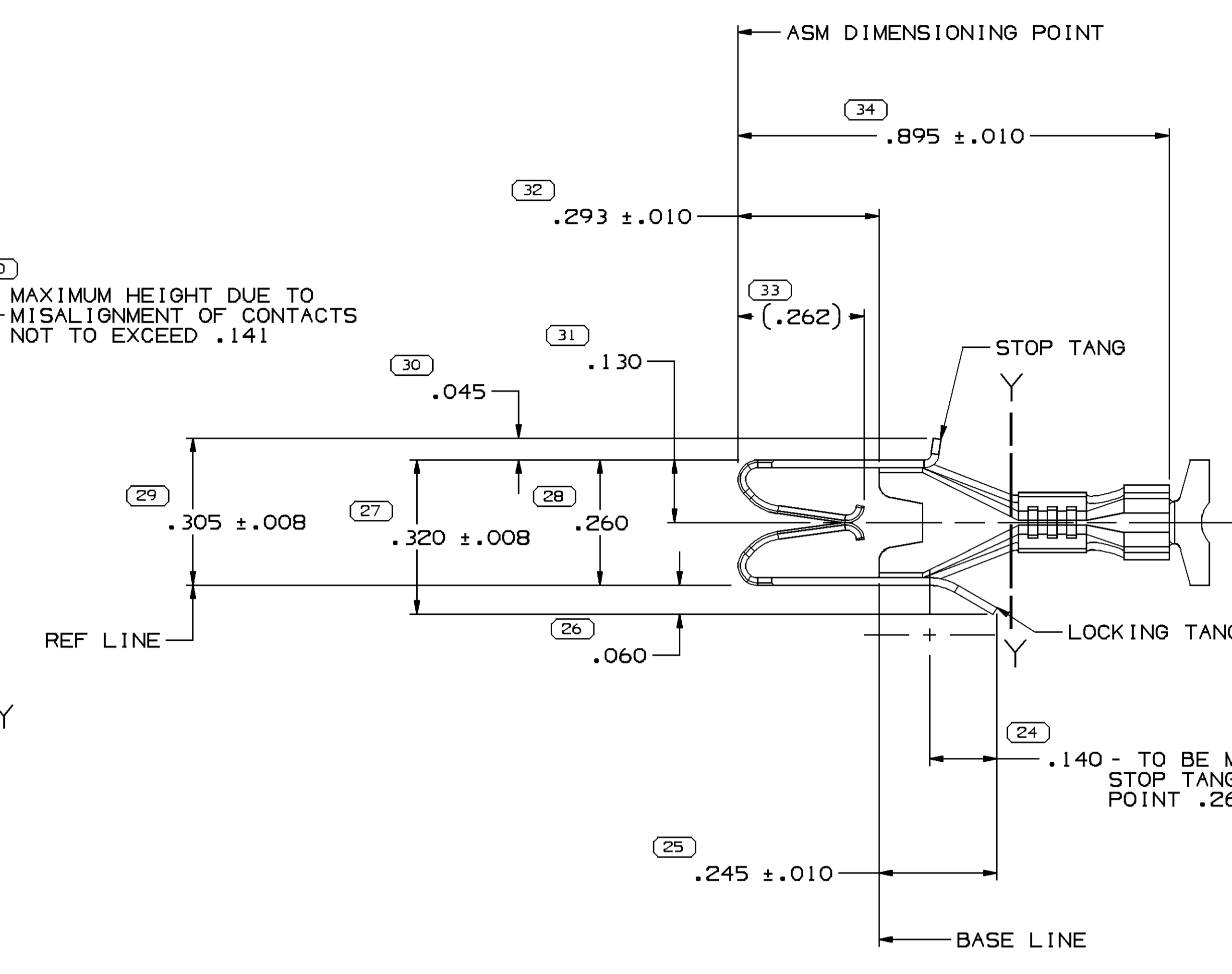
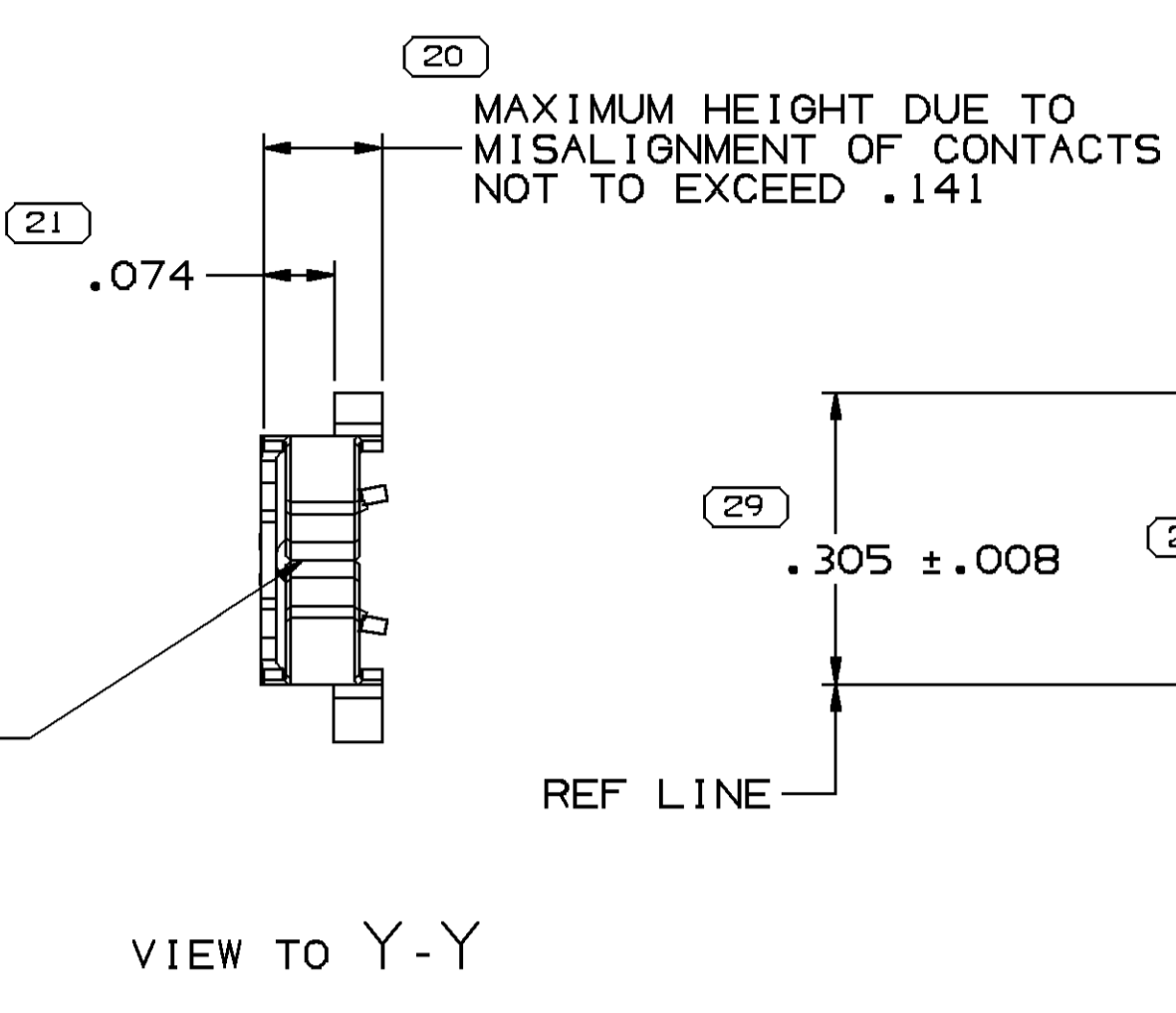
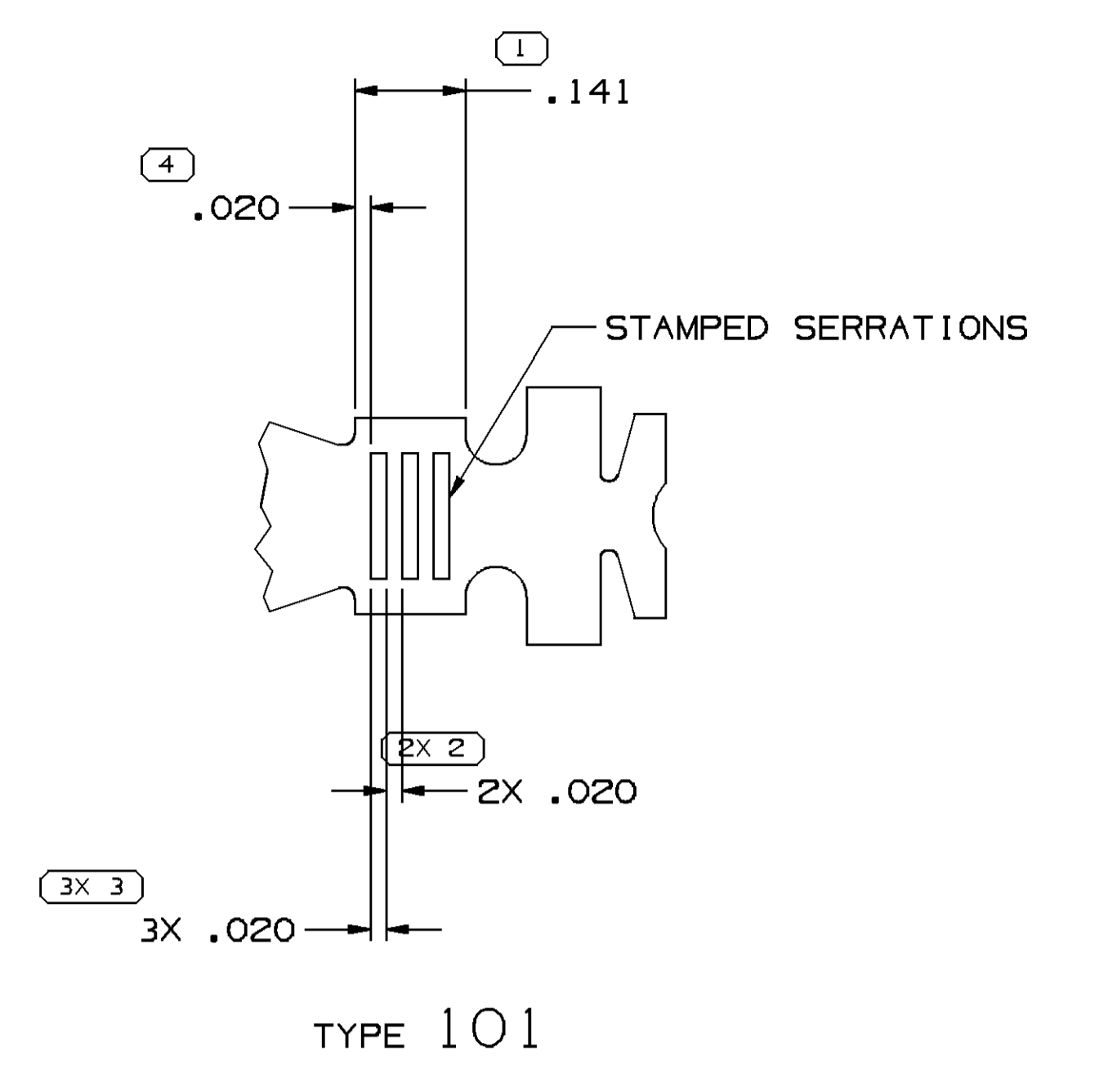
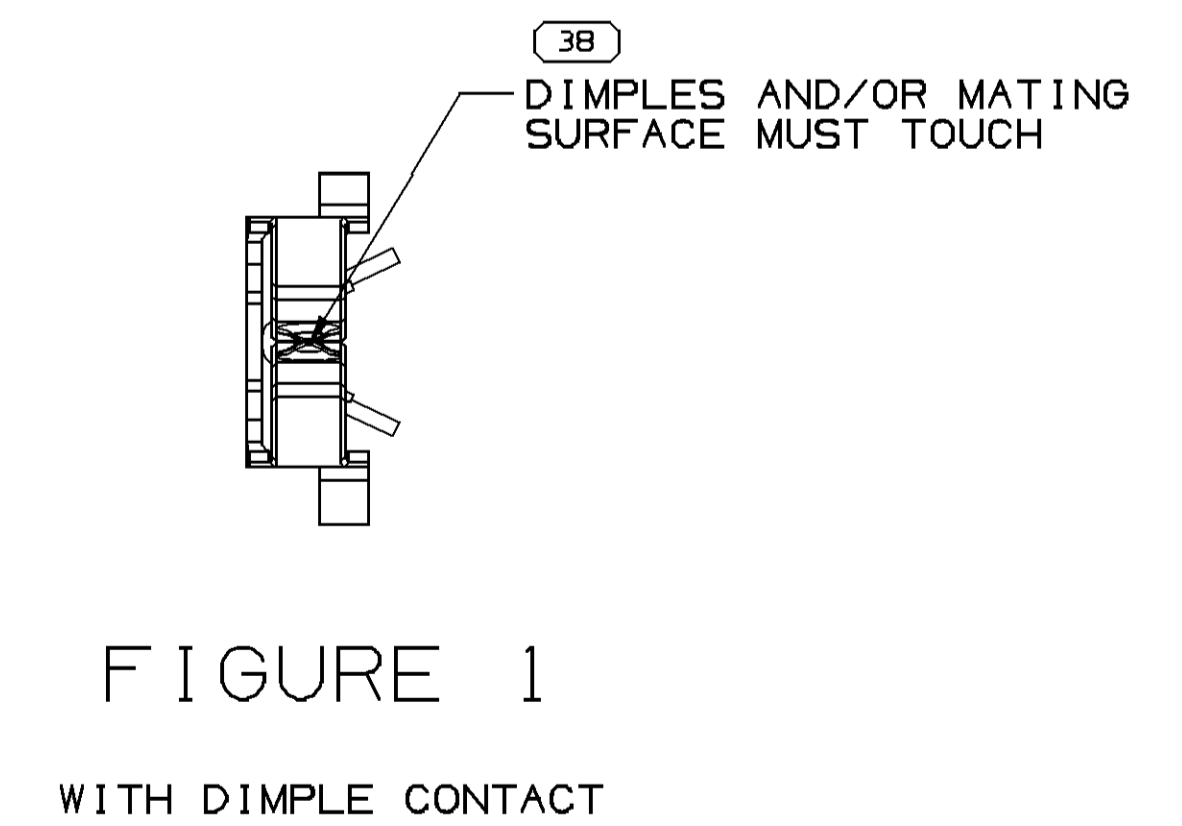
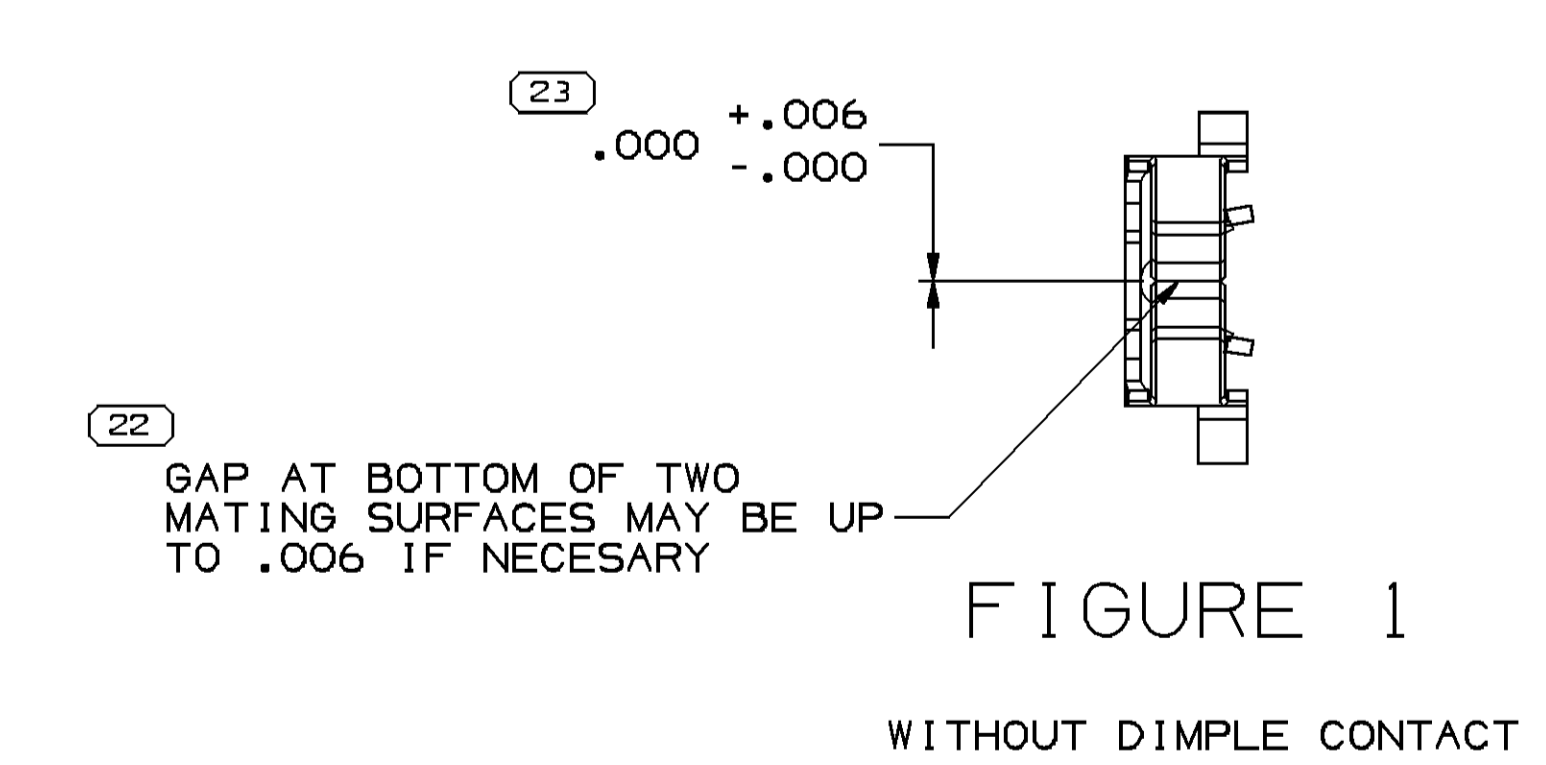
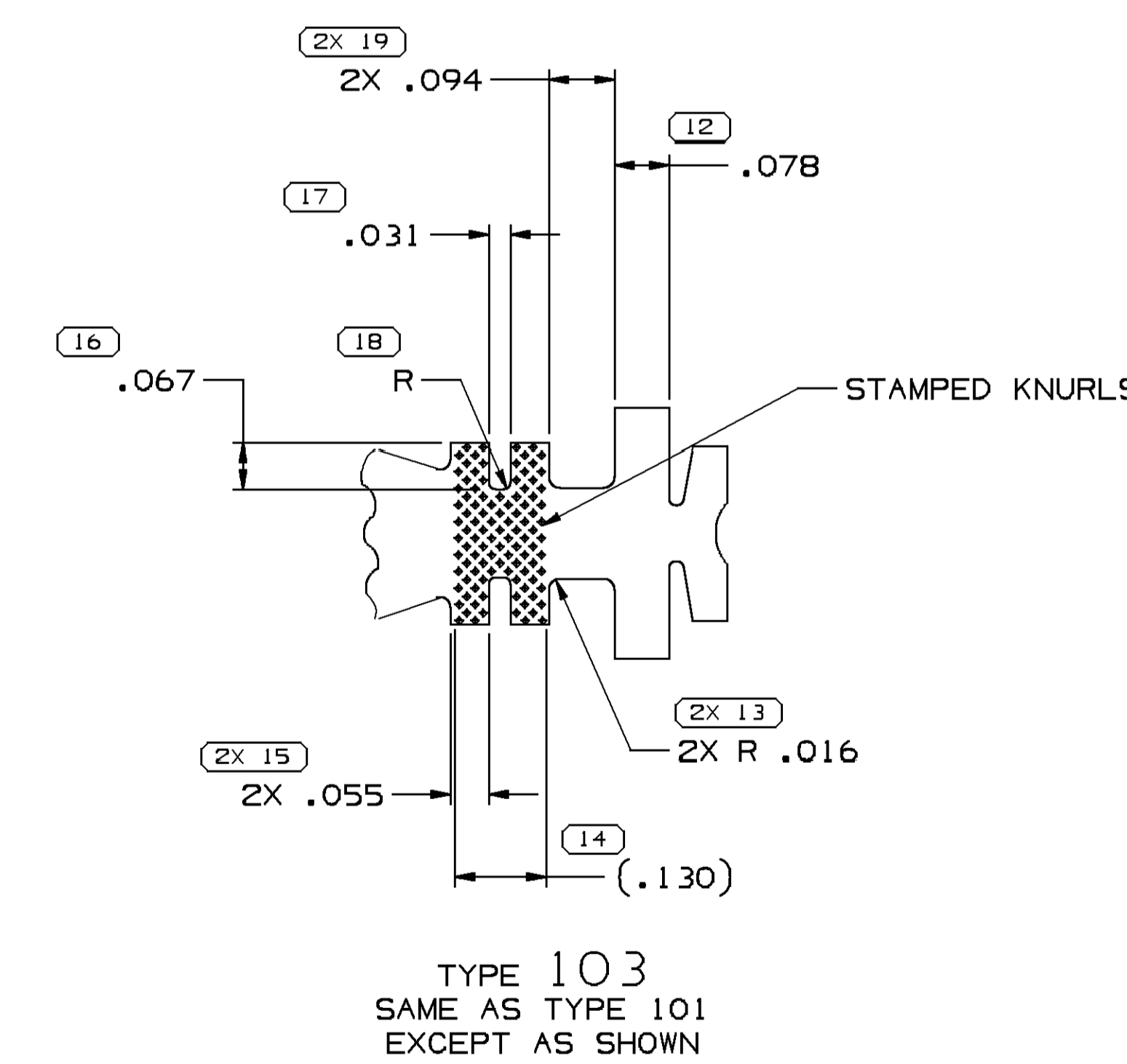
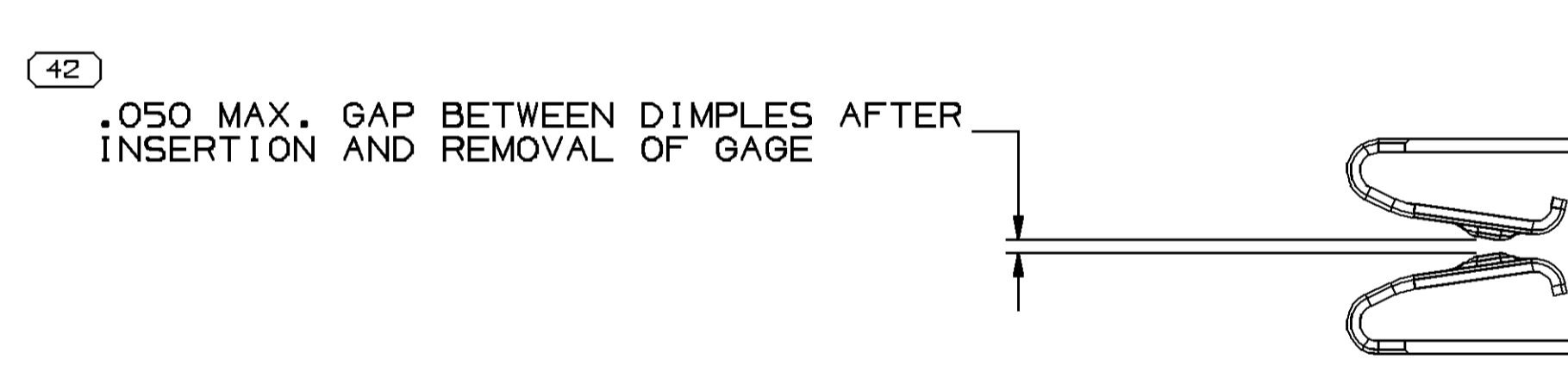
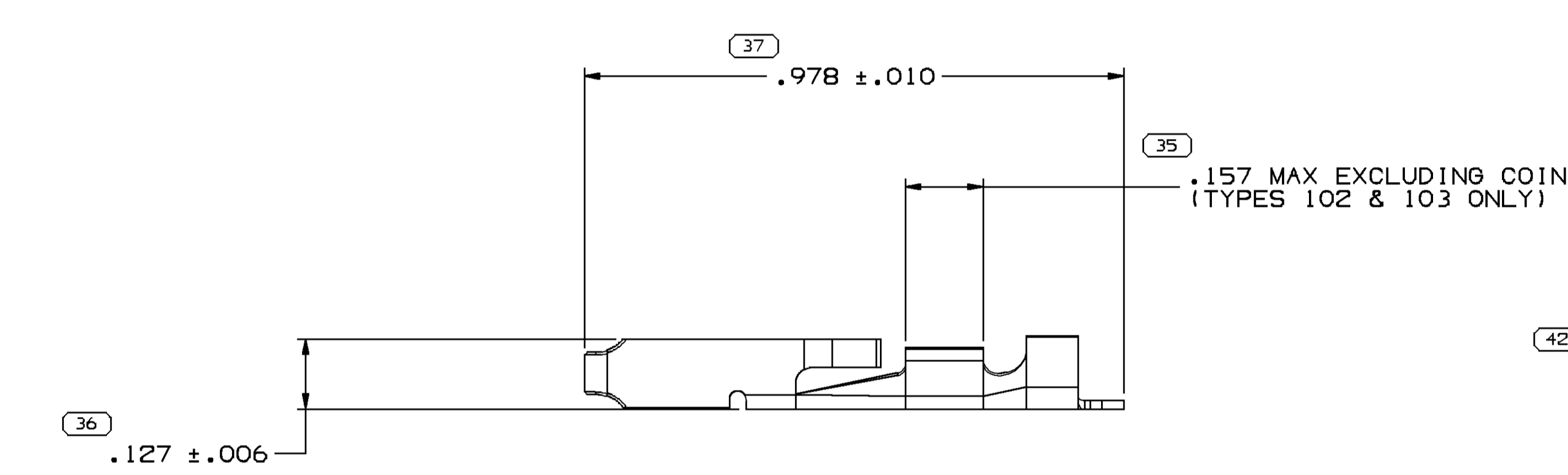
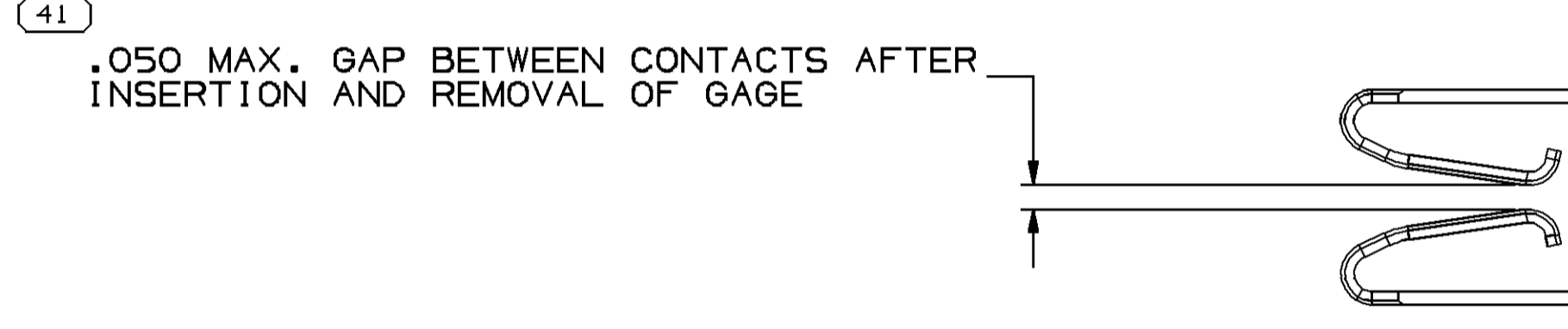


SYMBOL DEFINITION		TOTAL NO OF INSPECTIONS REQUIRED	MISSING SYMBOL NUMBER
A DIMENSION WITHOUT AN INSPECTION REPORT SYMBOL DOES NOT REQUIRE INSPECTION. IT MAY BE CONTROLLED ON THE INDIVIDUAL COMPONENT DRAWING.		52	
	LAST NO. USED	42	

DWS STATUS					REVISION HISTORY		AUTH	DR	APVD	APVD
DATE	STG	REV	IV/P	CHG	ZONE					
04JA07	R	04	-	-		ALL ACTIVE PARTS - CREATED PART DRAWING	400698	RMD	FRB	
06JN09	R	05	-	-		ALL ACTIVE PARTS - REDRAWN TO PD	404957	DMC	JVM	DBL
13AUG09	R	06	-	-		ALL ACTIVE PARTS - UPDATED PDM ATTRIBUTES	408647	DMC	G61	MMR
30MR10	R	07	-	-		ALL PARTS - UPDATED PDM ATTRIBUTES	410413	DMC	DMC	LHT



VIEW TO Y-Y



- NOTES
- UNLESS OTHERWISE SPECIFIED AND/OR INDICATED: DIMENSIONS ARE TO FACE OF VIEW SHOWN AND AUTOMATICALLY ROUNDED BY COMPUTER FOR INSPECTION (SEE MATH MODEL FOR PRECISE DIMENSIONS). FOR ALL OTHER DIMENSIONS NOT SHOWN BUT REQUIRED FOR TOOL BUILD, SEE MATH MODEL FOR PRECISE TOOL PATH DATA.
  - TERMINAL DESIGNED TO FIT .0665 ± .0085 THICK PRINTED CIRCUIT BOARD WITH ONE OUNCE COPPER ON ONE SIDE. CURRENT LIMITATION AS TESTED IN A 13 CAVITY CONNECTOR IS A 6 AMPS @ 50°C RISE.
  - TANG RECOVERY AFTER-INSERTION INTO .276 FUNCTIONAL GAUGE .320 ± .008 TANG WIDTH MUST RECOVER TO .292 MIN.
  - VISIBLE CRACKS ARE NOT PERMISSIBLE.
  - CONTACT RECOVERY NOTE. A. WITH DIMPLES - SEE DETAIL A. B. WITHOUT DIMPLES - SEE DETAIL B.
  - DO NOT PROBE, TEST OR OTHERWISE CONTACT THE INTERIOR REGION (THE SPRING OR ANY MOVING PART) OF THIS TERMINAL. SEVERE DAMAGE CAN OCCUR, COMPROMISING THE PERFORMANCE OF THE ELECTRICAL INTERFACE.

PART NO.	REV	STATUS	MAT'L SIZE	MAT'L SPEC	SIZE (MM)	DIA	DIMPLED CONTACTS	TYPE	E ± .015
12052213	B	OBSOLETE	.0160 X 1.438	METL NONFERROUS C42500 EX HD	16	.089-.082	YES	103	.145
12040502	B5		.0160 X 1.438	METL NONFERROUS C42500 EX HD	18-20	.095-.081	YES	102	.125
12020229	B	OBSOLETE	.0160 X 1.438	METL NONFERROUS C42500 EX HD	TWO 22	.079-.053	YES	101	.140 ± .008
12015044	B7		.0160 X 1.438	METL NONFERROUS C42500 EX HD	12	.145-.139	YES	101	.180
12010950	C6		.0160 X 1.438	METL NONFERROUS C42500 EX HD	TWO 18-20	.095-.081	YES	101	.200
12010767	C7		.0160 X 1.438	METL NONFERROUS C42500 EX HD	22-24	.082-.044	YES	101	.085 ± .008
12010533	B6		.0160 X 1.438	METL NONFERROUS C42500 EX HD	14-16	.120-.101	YES	101	.145
12010124	C	OBSOLETE	.0160 X 1.438	METL NONFERROUS C42500 EX HD	18-20	.095-.081	YES	101	.125
12004801	B6		.0160 X 1.438	METL NONFERROUS C42500 EX HD	12	.145-.139	NO	101	.180
12004460	C6		.0160 X 1.438	METL NONFERROUS C42500 EX HD	TWO 18-20	.095-.081	NO	101	.200
08917429	B6		.0160 X 1.438	METL NONFERROUS C42500 EX HD	14-16	.120-.101	NO	101	.145
08917271	B6		.0160 X 1.438	METL NONFERROUS C42500 EX HD	18-20	.095-.081	NO	101	.125

PART DRAWING	
STYLE	D
VOLUME (QTY)	DISTR CODE
UNLESS OTHERWISE SPECIFIED	
THIS DOCUMENT IS IN ACCORDANCE WITH ASME Y14.5M-1994 AS MODIFIED BY THE 2003 SUPPLEMENT AND TELETYPE ADDENDUM-2001. SEPARATE PATTERNS OF FEATURES MAY BE SHOWN SEPARATELY REGARDLESS OF DIMENSIONS.	
ALL DIMENSIONS ARE IN INCHES	
REFERENCE	06294512
THIRD ANGLE PROJECTION	DO NOT SCALE USE MATH DATA
ANGULAR TOLERANCE ±2°	

**DELPHI**  
DELPHI PACKARD ELECTRICAL/ELECTRONIC ARCHITECTURE  
WARREN, OH

DATE: 04JA07

DR: RICARDO MARTINEZ  
APV02: FCO RESENDIZ  
APV03: DIANE L. SCHROCK  
APV04:

SUBSTANCES OF CONCERN AND RECYCLED CONTENT PER DELPHI (04-1990)

DRAWING NAME: TAXI TERM F/P/C ED68D-STD

DRAWING NUMBER: 08917430

SIZE: A0 SCALE: 10:1 FRM: 1 OF 1 SHEET NO: 1 OF 1 STG: 07

## X-ON Electronics

Largest Supplier of Electrical and Electronic Components

*Click to view similar products for [Automotive Connectors](#) category:*

*Click to view products by [APTIV](#) manufacturer:*

Other Similar products are found below :

[003-018-000](#) [60403001](#) [60993906-B](#) [629515004020001](#) [M902-2131](#) [M902-2161](#) [72.330.1035.1](#) [73.353.4028.0](#) [F119300-B](#) [F166900](#)  
[F258300-B](#) [F358300-B](#) [F407400](#) [F444110](#) [F487000](#) [F509500B-B](#) [827153-1](#) [8N1515-32-24P](#) [9-1326729-8](#) [925474-1](#) [928905-1](#) [964562-4](#)  
[968782-1](#) [GT17SA-8DS-HU](#) [98891-1012](#) [98947-1016](#) [12004475-L](#) [12010290](#) [12010309-B](#) [12015454](#) [12020219-B](#) [12020308](#) [12041318-B](#)  
[12052225-L](#) [12052466](#) [12059125](#) [12064869](#) [12004327-B](#) [12010503-B](#) [12015308](#) [12015384](#) [12015909](#) [1-21030-1](#) [12041254](#) [12041318](#)  
[12047946-B](#) [12047957](#) [12047957-L](#) [12059473](#) [12066261](#)