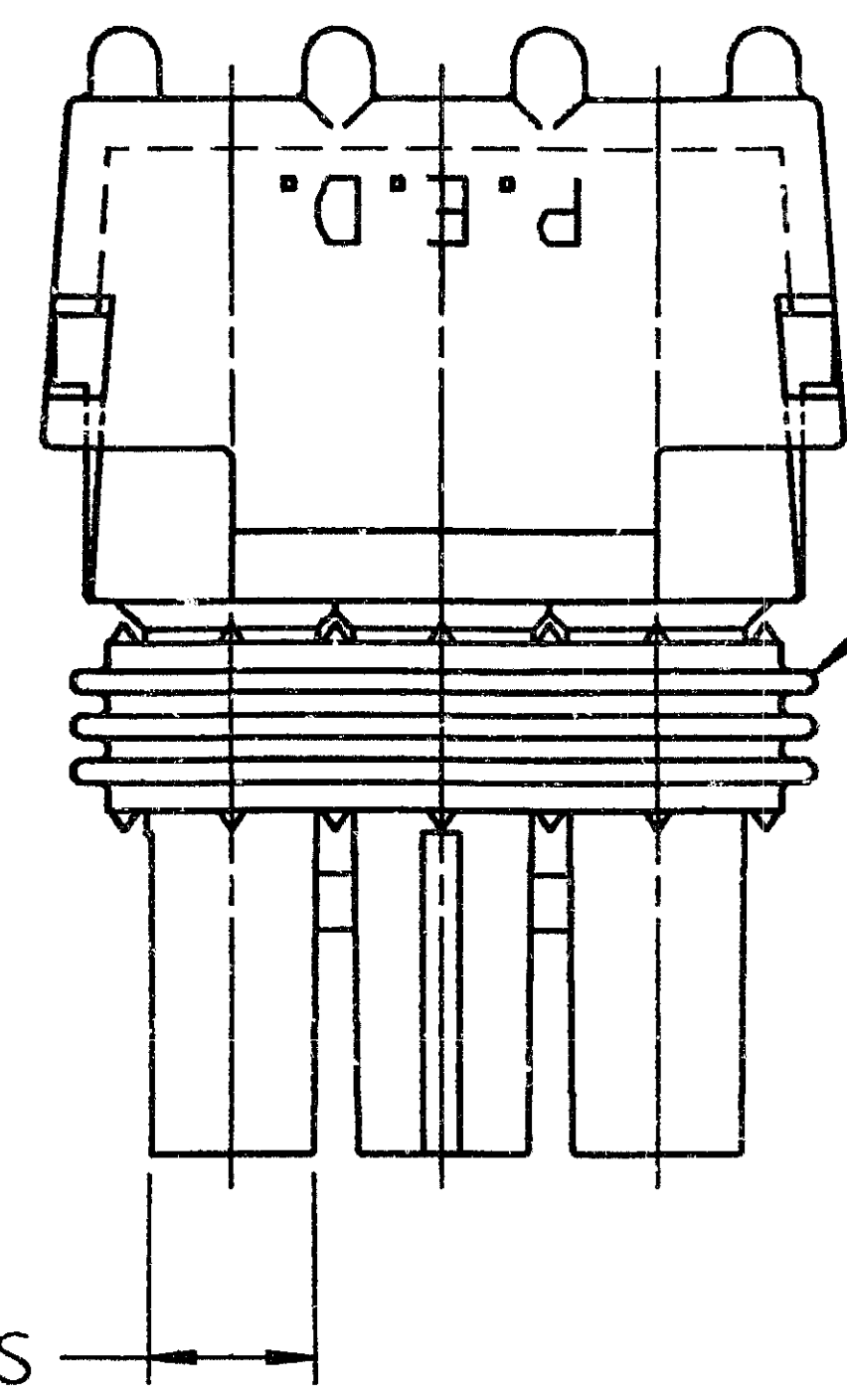


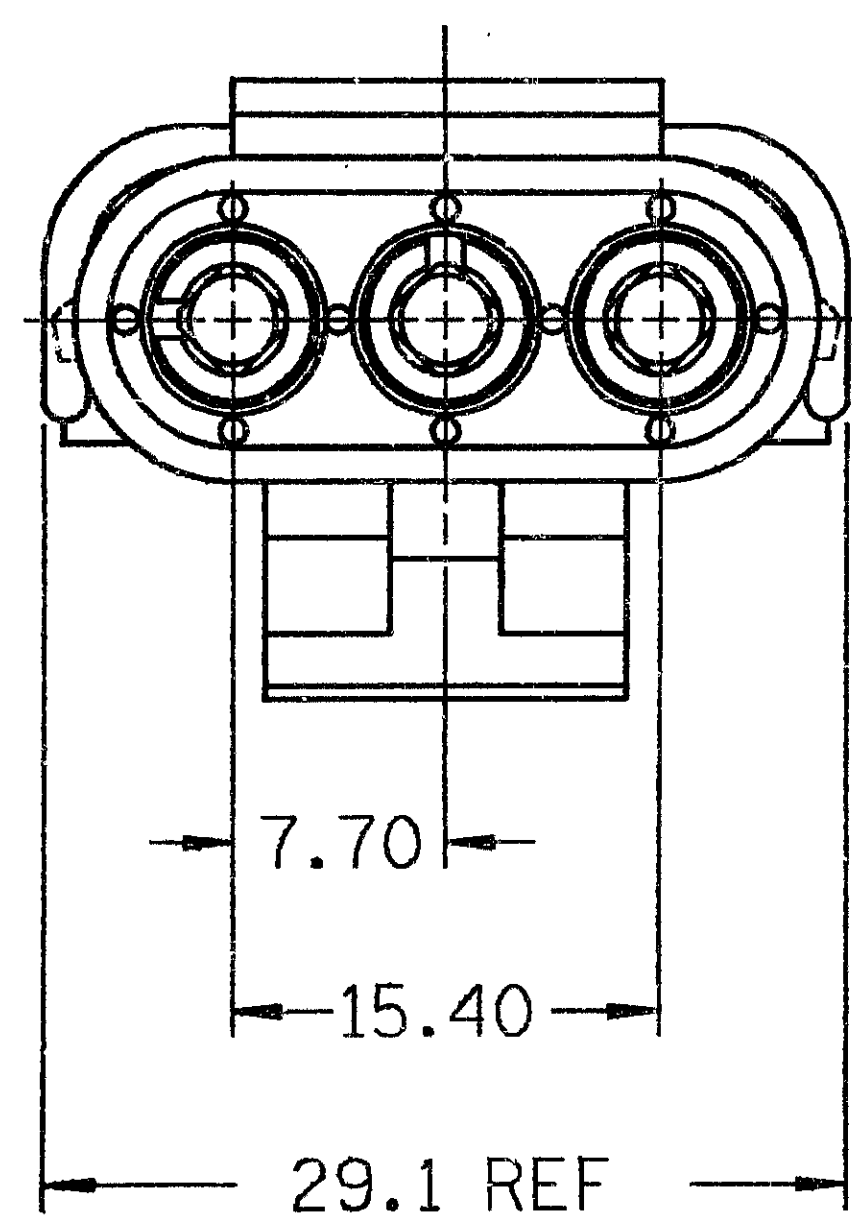
THIS DRAWING AND DESIGN HEREON CONSTITUTES A PROPRIETARY DESIGN OF PACKARD ELECTRIC DIVISION AND IS NOT TO BE DUPLICATED OR REPRODUCED WITHOUT AUTHORITY OF PACKARD ELECTRIC DIVISION.

DO NOT SCALE



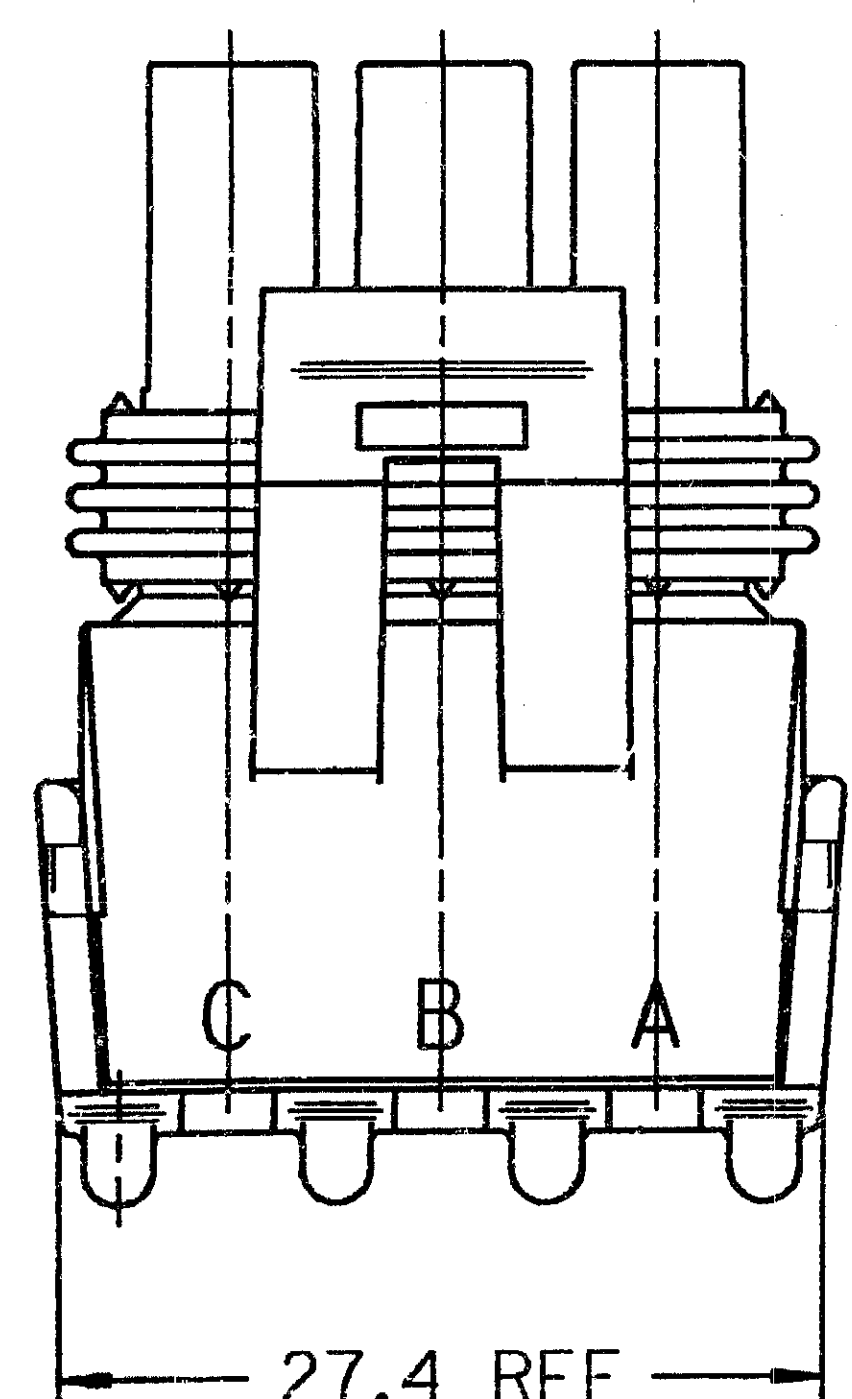
SEALING RIBS MUST BE FREE OF DEFECTS

6.15 DIA - 3 PLCS

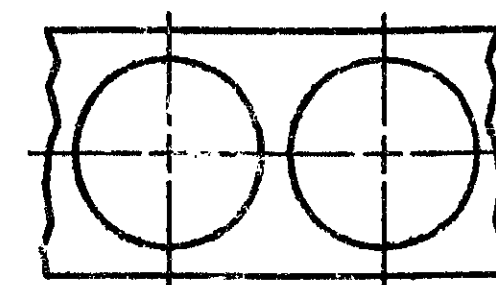


INDEX CODE - 032 - (ALSO SEE HANDBOOK)

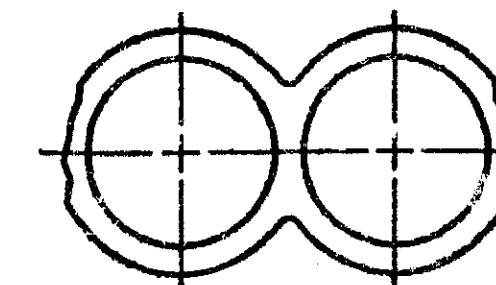
29.1 REF



27.4 REF

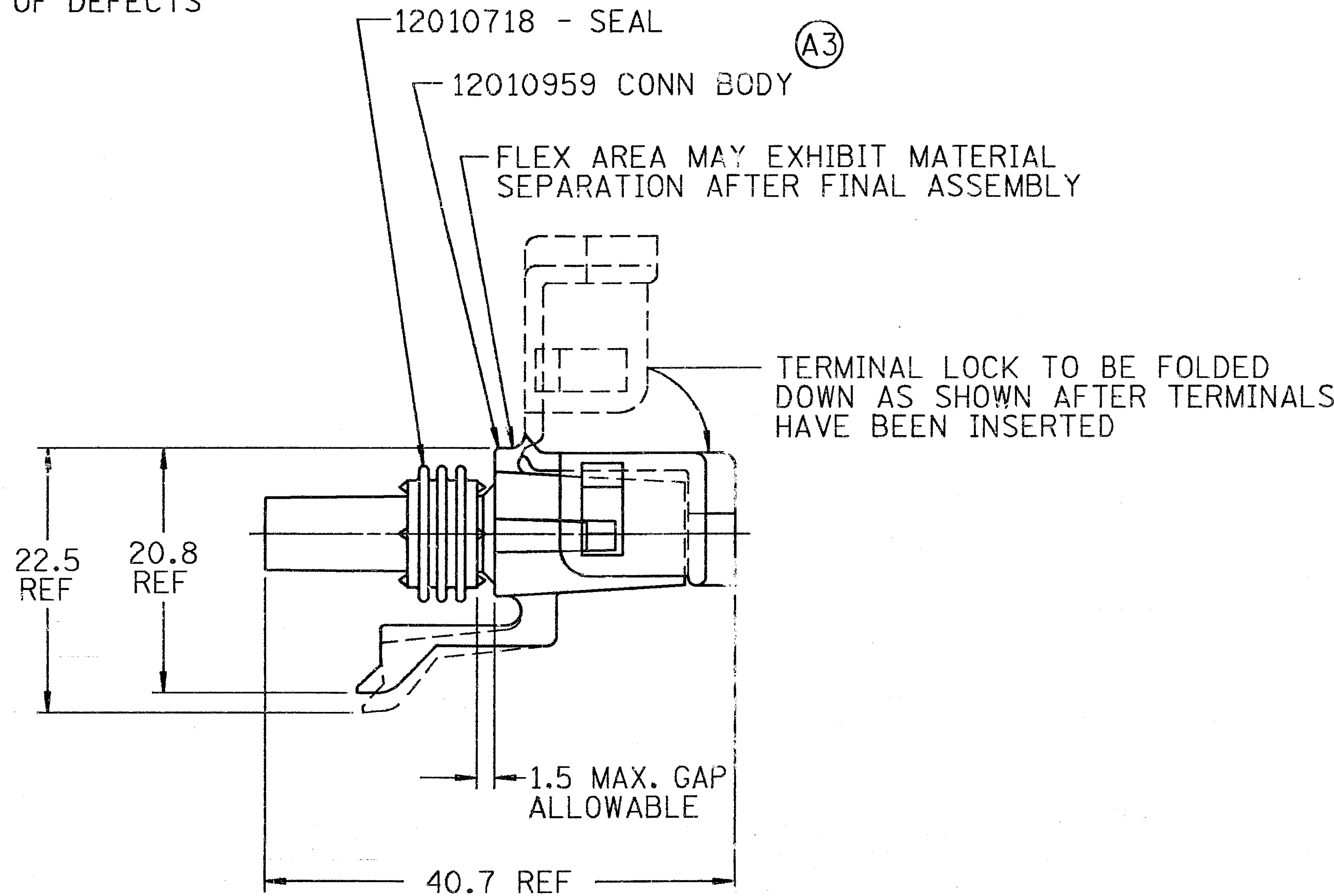


STANDARD CONSTRUCTION



OPTIONAL CONSTRUCTION

CABLE END VIEW OF CONN. BODY



12010718 - SEAL

12010959 CONN BODY

FLEX AREA MAY EXHIBIT MATERIAL SEPARATION AFTER FINAL ASSEMBLY

TERMINAL LOCK TO BE FOLDED DOWN AS SHOWN AFTER TERMINALS HAVE BEEN INSERTED

22.5 REF

20.8 REF

1.5 MAX. GAP ALLOWABLE

40.7 REF

- NOTES
1. USE TERMINAL 12089040 OR EQUIVALENT.
 2. USE CABLE SEAL 12015323 OR EQUIVALENT.
 3. MATING PART - MODULE.
 4. WHEN PARTS ARE SHIPPED, THEY MUST BE PACKED IN PLASTIC BAGS OR SHIPPING CONTAINERS MUST BE LINED WITH PLASTIC LINERS. BAGS OR LINERS MUST BE SEALED TO AVOID ENTRY OF FOREIGN MATTER.
 5. SEALING CODE 3.
 6. WHEN DESIGNING A PART TO MATE TO THIS WEATHER PACK CONNECTOR, REQUEST THE LATEST COPY OF DRAWING NUMBER 12020084 FROM THE PACKARD ELECTRIC DIVISION.

DATE	SYM	REVISION RECORD	AUTHORITY	DR	CK
07FE91	A1	REDRAWN - ADDED INDEX CODE & NOTE 6 AND REVISED NOTE 1	138581	BKD	BKD
07JN91	A2	REVISED DIMS 3 PLCS	142370	TS	HH
16MR92	A3	12010959 WAS 12020194	147805	GC	GC

PART NO. 1201 5384

PED / NERGAPH		FILE CHAPMAN_G ZF0: [115, 277] 12015384A. 0A3: 11
THIRD ANGLE PROJECTION		MON MAR 16 07:03:02 1992
		METRIC
CODE NO. 6900		TOLERANCE UNLESS OTHERWISE SPECIFIED
D.C. -C-5110		ONE PLACE ± 0.3 ANGULAR ± 2°
D.W.G. DATE 23JA80		TWO PLACE ± 0.15
SCALE NONE		DR. E.E. SEIDEL 15MR80
EST. NO.	CK. RON WHETSON	DATE 21MR80
REFERENCE NO.	APPR. J.A. YURTIN	DATE 28MR80
	APPR. A. WINYARD	DATE 28MR80
MATERIAL SPEC. SEE DRAWING		
NAME ASM CONN 3M W/P TWR		
PART NO.	1201 5384	SIZE C

X-ON Electronics

Largest Supplier of Electrical and Electronic Components

Click to view similar products for [Automotive Connectors](#) category:

Click to view products by [APTIV](#) manufacturer:

Other Similar products are found below :

[003-018-000](#) [60403001](#) [60993906-B](#) [629515004020001](#) [M902-2131](#) [M902-2161](#) [72.330.1035.1](#) [73.353.4028.0](#) [F119300-B](#) [F166900](#)
[F258300-B](#) [F358300-B](#) [F407400](#) [F444110](#) [F487000](#) [F509500B-B](#) [827153-1](#) [8N1515-32-24P](#) [9-1326729-8](#) [925474-1](#) [928905-1](#) [964562-4](#)
[968782-1](#) [GT17SA-8DS-HU](#) [98891-1012](#) [98947-1016](#) [12004475-L](#) [12010290](#) [12010309-B](#) [12015454](#) [12020219-B](#) [12020308](#) [12041318-B](#)
[12052225-L](#) [12052466](#) [12059125](#) [12064869](#) [12004327-B](#) [12010503-B](#) [12015308](#) [12015384](#) [12015909](#) [1-21030-1](#) [12041254](#) [12041318](#)
[12047946-B](#) [12047957](#) [12047957-L](#) [12059473](#) [12066261](#)