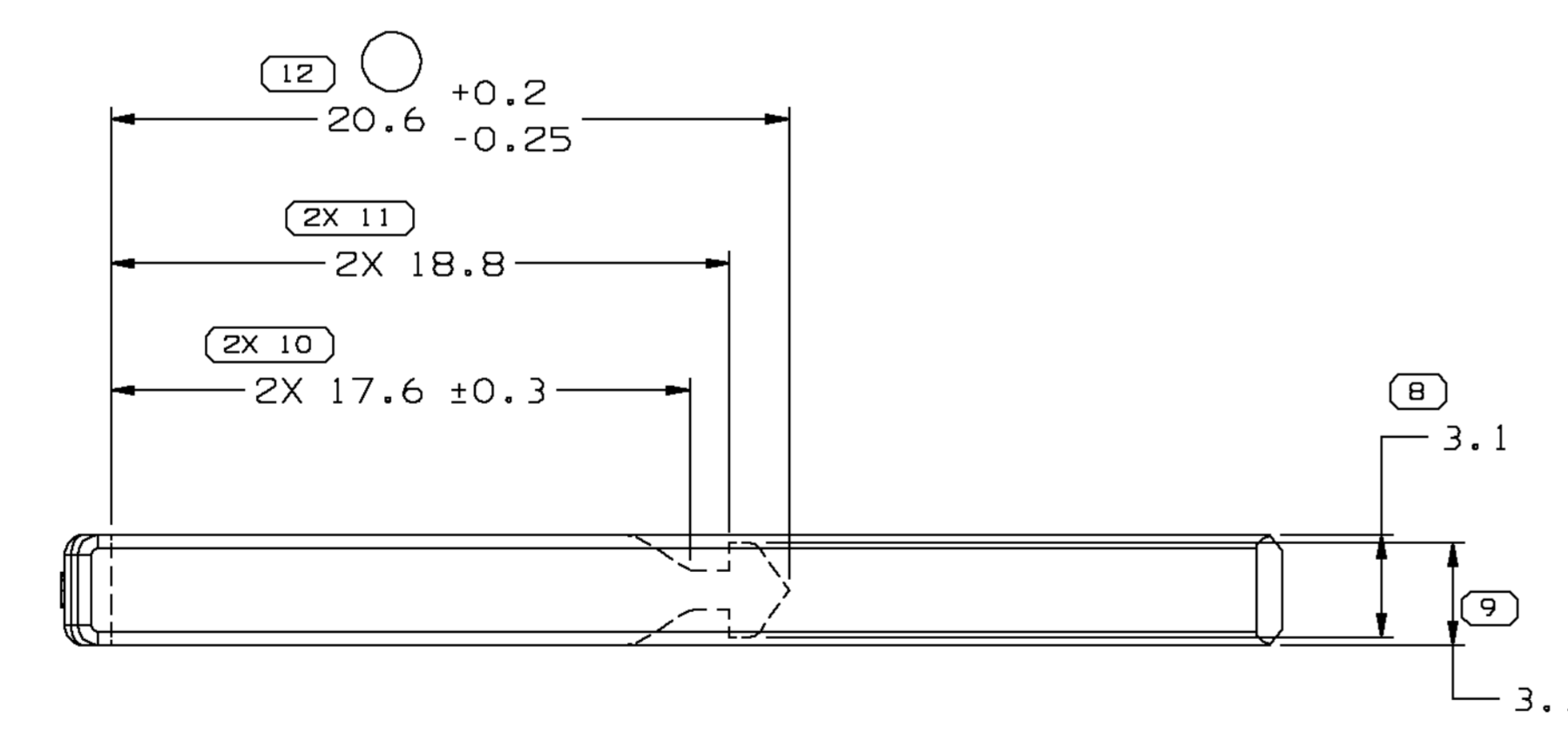
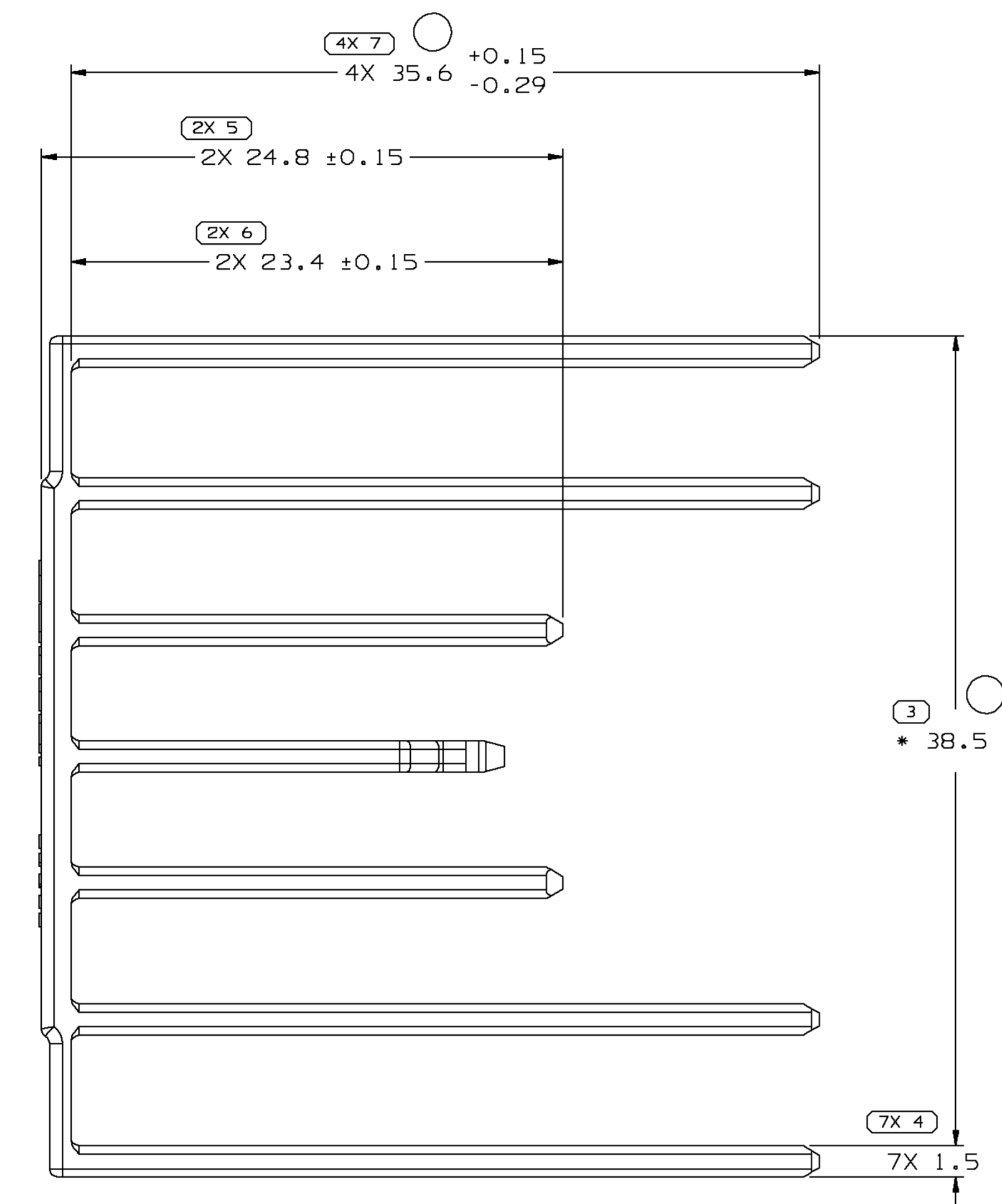
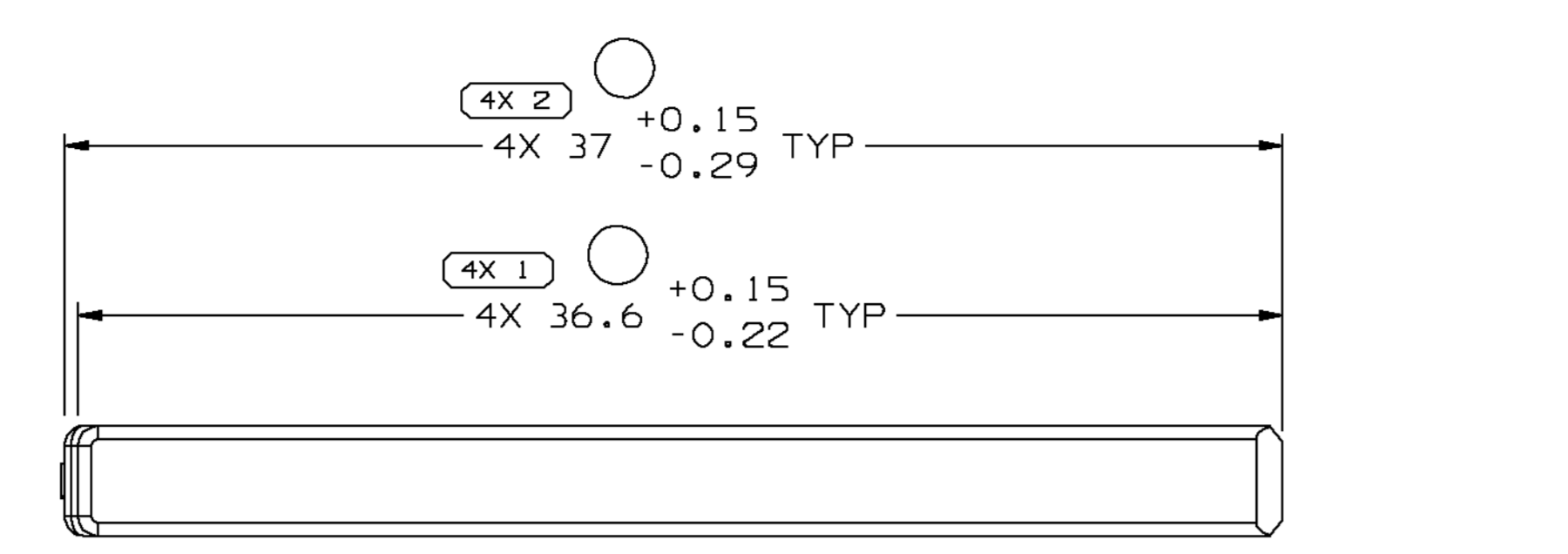


SYMBOL DEFINITION		TOTAL NO OF INSPECTIONS REQUIRED	NO MISSING SYMBOL NUMBER
A DIMENSION WITHOUT AN INSPECTION REPORT SYMBOL DOES NOT REQUIRE INSPECTION. IT MAY BE CONTROLLED ON THE INDIVIDUAL COMPONENT DRAWING.		32	
	LAST NO. USED	13	

DWG STATUS				REVISION HISTORY				AUTH	DR	APVD	APVD
DATE	STG	REV	W/P	CHG	ZONE	DESCRIPTION					
140C02	R	E2	-	-		REDRAWN TO PD	231984	RH	RH	ET	ET
07FE03	R	E3	-	-		DIM TOLS 20.6 +0.2/-0.25 WAS 20.6 +0.2, 35.6 +0.15/-0.29 WAS 35.6 +0.15, 36.6 +0.15/-0.22 WAS 36.6 +0.15, 37 +0.15/-0.29 WAS 37 +0.15 AND 38.5 +0.2/-1.2 WAS 38.5 +0.2		BYP	KOP	EM	EM

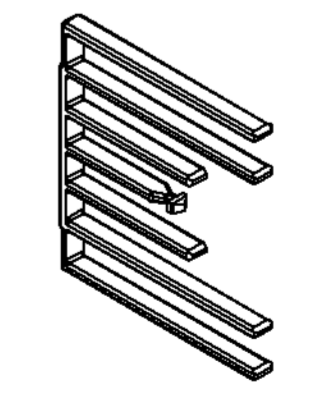
DELPHI >PBT<



AREA MAY EXHIBIT SHARP CORNERS AT LOCATION OF MOLD KNOCKOUT PINS

NOTES

- UNLESS OTHERWISE SPECIFIED AND/OR INDICATED: DIMENSIONS ARE TO FACE OF VIEW SHOWN AND AUTOMATICALLY ROUNDED BY COMPUTER FOR INSPECTION (SEE MATH MODEL FOR PRECISE DIMENSIONS). FOR ALL OTHER DIMENSIONS NOT SHOWN BUT REQUIRED FOR TOOL BUILD, SEE MATH MODEL FOR PRECISE TOOL PATH DATA.
- MATERIAL RECYCLING CODE >PBT< PER SAE J1344. (1)(X)(0.1) RAISED CHARACTERS AS SHOWN TO BE LOCATED ON ANY EXTERIOR SURFACE. OPTIONAL CONSTRUCTION TO BE NO MATERIAL RECYCLING CODE.
- THIS PART IS NOT CONTROLLED FOR AUTOMATIC FEEDING.
- (1)(X)(0.1) RAISED DELPHI CORPORATE BRAND TO BE LOCATED ON ANY EXTERIOR SURFACE, PREFERABLY VISIBLE AT FINAL ASSEMBLY. OPTIONAL CONSTRUCTION TO BE "PED" OR NO LOGO.
- * INDICATE DIMENSIONS TO BE MEASURED AT BASE OF FINGERS.
- THIS PART TO BE USED IN 12015504 BULKHEAD CONNECTOR AND 12015505 CONNECTOR.



	DIMENSIONAL RANGE (MM) FROM TO TOLERANCE UNLESS OTHERWISE SPECIFIED	CHART ET FROM TO TOLERANCE UNLESS OTHERWISE SPECIFIED
	DIMENSIONS ENCLOSED IN () INDICATE REFERENCE DIMENSIONS AND NO TOLERANCE LIMITS ARE ESTABLISHED	
	R 0.1 MAX R 0.2 MAX SHARP CORNER TOLERANCE	THIRD ANGLE PROJECTION
UNLESS OTHERWISE SPECIFIED THIS DOCUMENT IS IN ACCORDANCE WITH ASME Y14.5M-1994 AS AMENDED BY THE 2003 DIMENSIONING AND TOLERANCING ADDENDUM - 1997. ALL GEOMETRIC TOLERANCES AND RELATED DATUMS APPLY TO THE PERFECT FORM UNLESS OTHERWISE SPECIFIED. THE RELATIONSHIP BETWEEN FEATURES IS ESTABLISHED BY ORIENTATION AND LOCATION TOLERANCES. SEPARATE POSITION CALLOUTS MAY BE BASED SEPARATELY. ALL DIMENSIONS ARE IN MILLIMETERS.		DO NOT SCALE

DELPHI
DELPHI PACKARD ELECTRIC SYSTEMS
WARREN, OH

DR A. SPISAK	DATE 29FE80
APVD1 R. HERMOSILLO	140C02
APVD2 R. HERMOSILLO	140C02
APVD3 E. TRACEY	150C02
APVD4	
APVD5	

MATERIAL: M4695001 PBT NAT

DRAWING NAME: COMB M/P MXD

DRAWING NUMBER: 12015510

SIZE: A0 SCALE: 5:1 FRAME NO: 1 OF 1 SHEET NO: 1 OF 1 STG REV: E3

X-ON Electronics

Largest Supplier of Electrical and Electronic Components

Click to view similar products for [Automotive Connectors](#) category:

Click to view products by [APTIV](#) manufacturer:

Other Similar products are found below :

[003-018-000](#) [60403001](#) [60993906-B](#) [629515004020001](#) [M902-2131](#) [M902-2161](#) [72.330.1035.1](#) [73.353.4028.0](#) [F119300-B](#) [F166900](#)
[F258300-B](#) [F358300-B](#) [F407400](#) [F444110](#) [F487000](#) [F509500B-B](#) [827153-1](#) [8N1515-32-24P](#) [9-1326729-8](#) [925474-1](#) [928905-1](#) [964562-4](#)
[968782-1](#) [GT17SA-8DS-HU](#) [98891-1012](#) [98947-1016](#) [12004475-L](#) [12010290](#) [12010309-B](#) [12015454](#) [12020219-B](#) [12020308](#) [12041318-B](#)
[12052225-L](#) [12052466](#) [12059125](#) [12064869](#) [12004327-B](#) [12010503-B](#) [12015308](#) [12015384](#) [12015909](#) [1-21030-1](#) [12041254](#) [12041318](#)
[12047946-B](#) [12047957](#) [12047957-L](#) [12059473](#) [12066261](#)