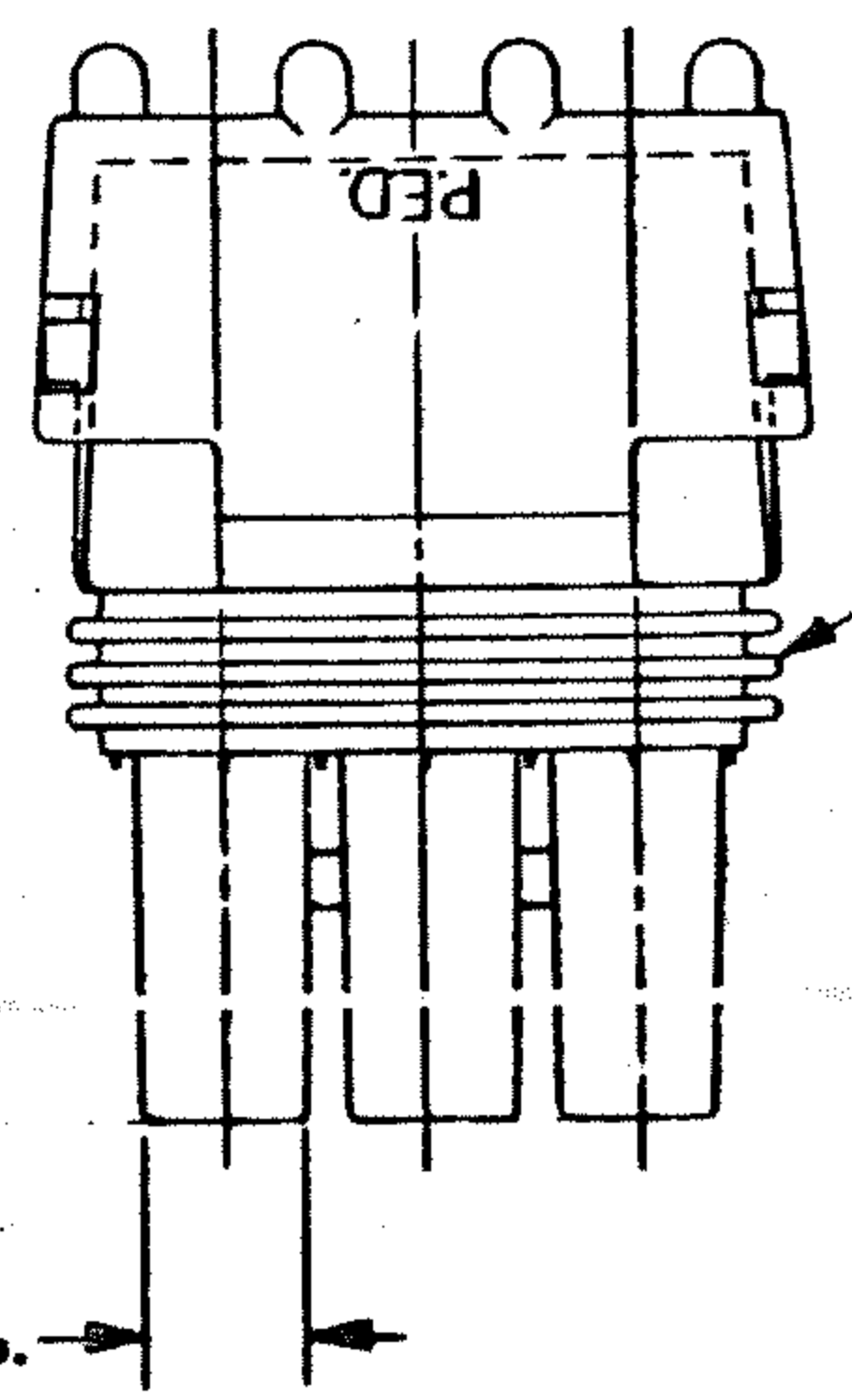


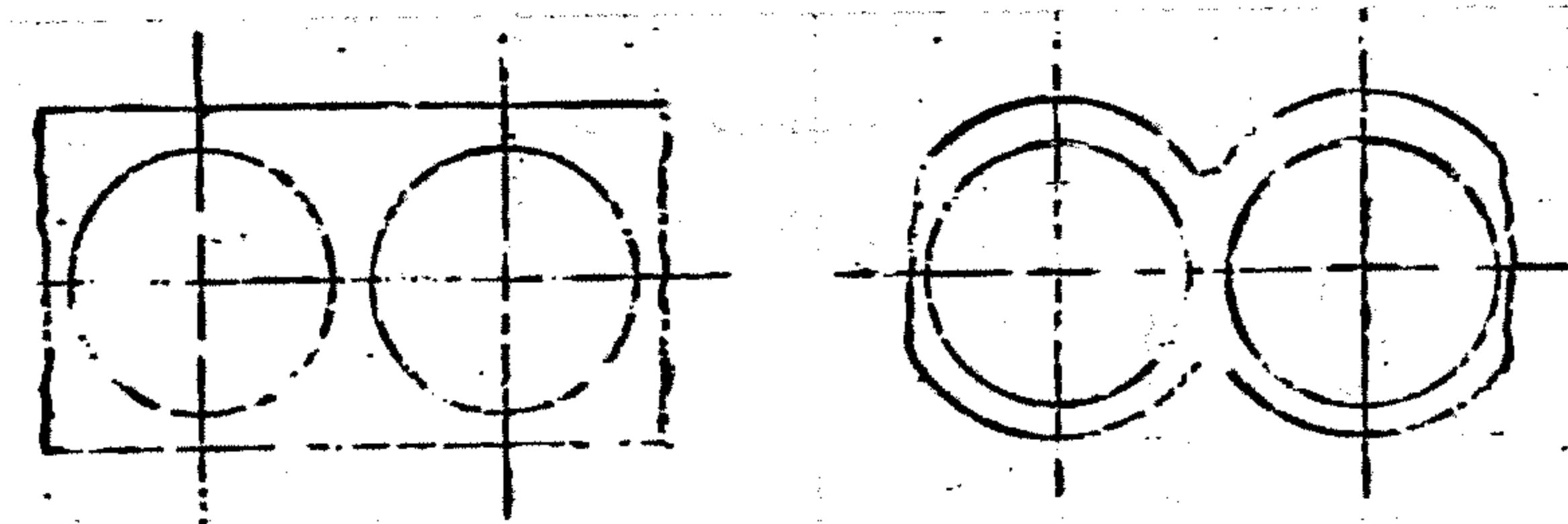
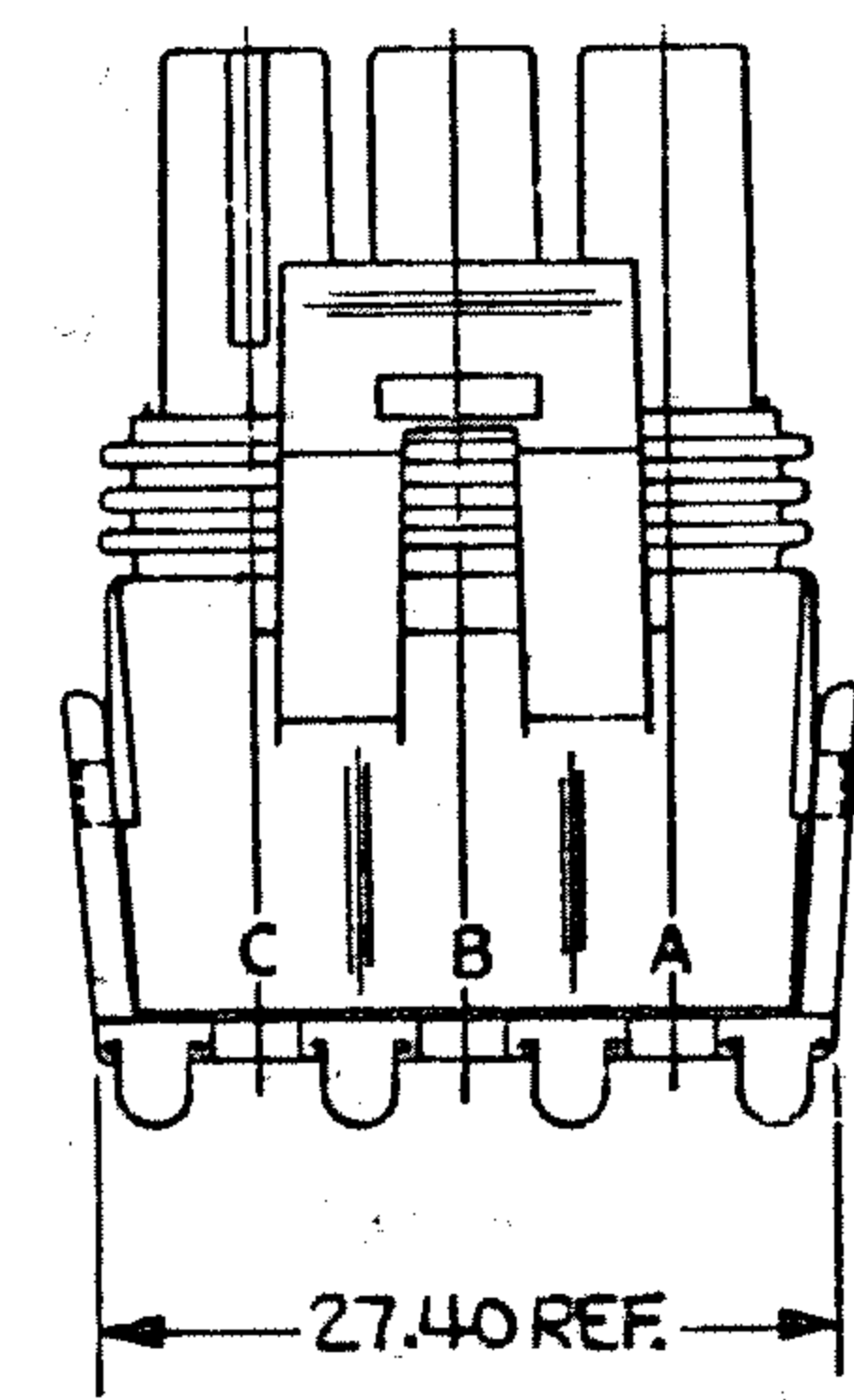
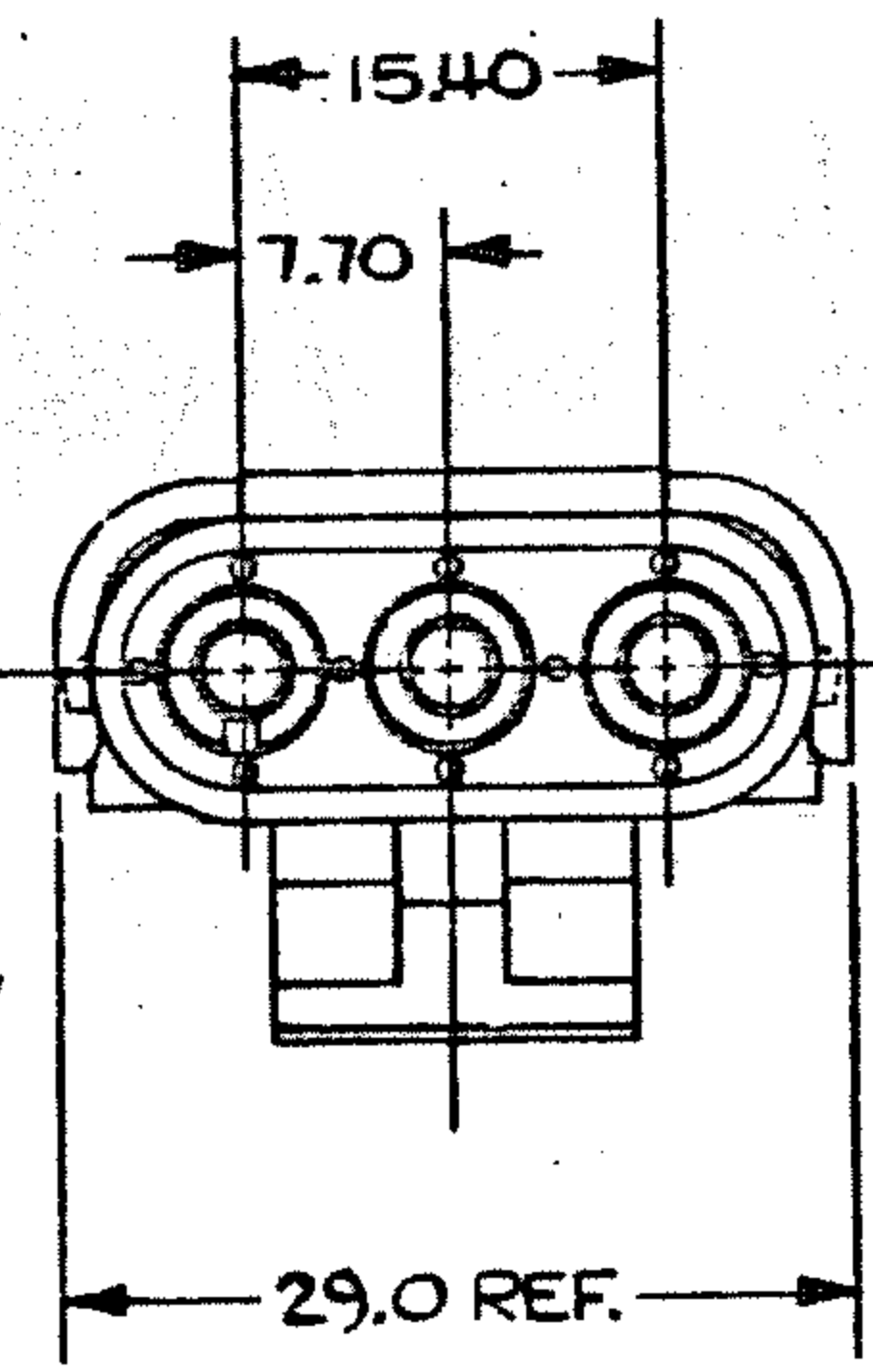
D THIS DRAWING AND DESIGN HEREON CONSTITUTE A PROPRIETARY DESIGN OF PACKARD ELECTRIC DIVISION AND IS NOT TO BE DUPLICATED OR REPRODUCED WITHOUT AUTHORITY OF PACKARD ELECTRIC DIVISION.

400A
171A

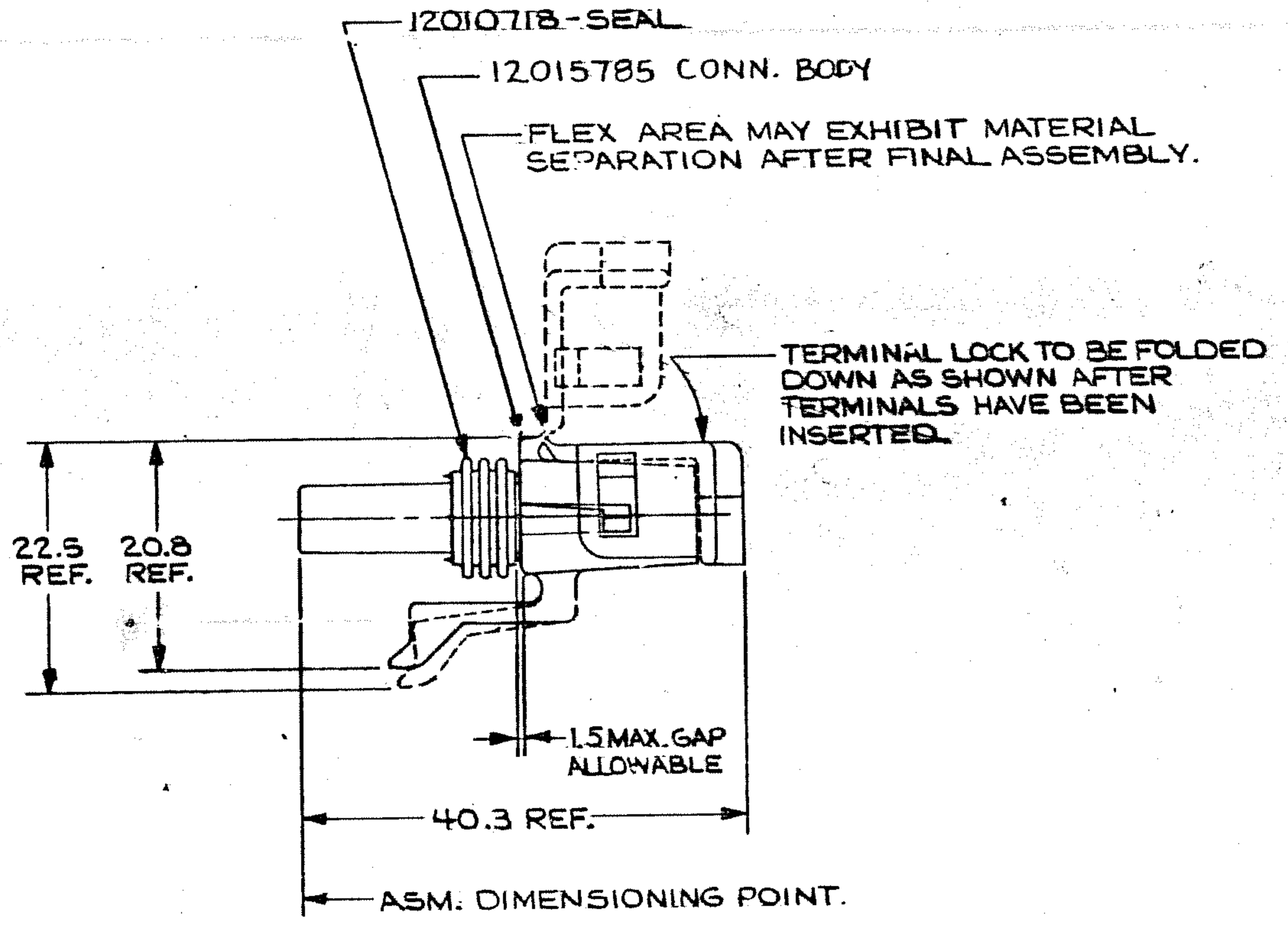
PACKARD ELECTRIC DIVISION
GENERAL MOTORS CORPORATION
WARREN, OHIO



SEALING RIBS MUST BE FREE OF DEFECTS.



STANDARD CONSTRUCTION
OPTIONAL CONSTRUCTION
CABLE END VIEW OF CONN. BODY



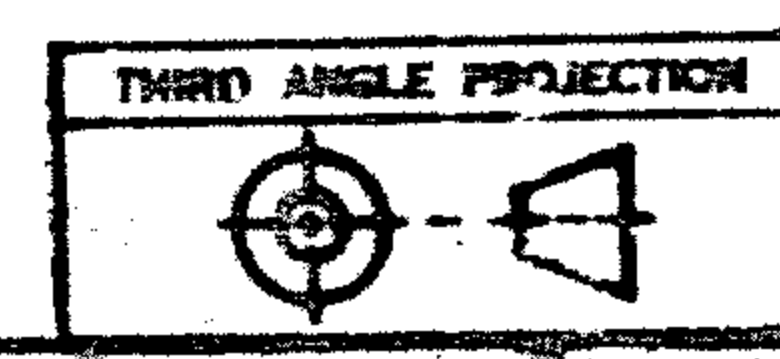
- NOTES—1. USE FEMALE TERMINAL 12034051 OR EQUIVALENT FOR 'IN-LINE' APPLICATIONS. USE MALE TERMINAL 12033674 FOR 'PANEL MOUNT' APPLICATIONS.
2. USE CABLE SEAL 12015323 OR EQUIVALENT.
3. MATING PART- DEVICE
4. WHEN PARTS ARE SHIPPED, THEY MUST BE PACKED IN PLASTIC BAGS OR SHIPPING CONTAINERS MUST BE LINED WITH PLASTIC LINERS. BAGS OR LINERS MUST BE SEALED TO AVOID ENTRY OF FOREIGN MATTER.
5. SEALING CODE 3.

DATE	SYM.	REVISION RECORD	AUTH	DR.	CK.
06MY80	A	RELEASED	80005	JH	JM
09FE81	-	ADDED STANDARD & OPTIONAL CONST. VIEWS	75211	DB	JK
9JL83	-	1.5 MAX. WAS 1.0 MAX.	85923	GW	JO
11SE87	-	REVISED NOTE #1 & ADDED NOTE #5	115623	TD	JK
28OC87	-	REVISED NOTE #1+3	116529	BA	JM

PART NO.
1201 5795

METRIC
DIMENSIONS ARE IN MILLIMETRES
UNLESS OTHERWISE SPECIFIED

P. N. C. CODE			
CODE NO. 6900	TOLERANCE UNLESS OTHERWISE SPECIFIED DECIMAL: ONE PLACE ± 0.3 TWO PLACE ± 0.15		
QC - C-5110	ANGULAR ± 2°		
DWG. DATE 06MY80	SCALE NONE	DR. C. E. Hitters	DATE 05MY80
EST. NO.		CR. J. Mandrey	DATE 06MY80
REFERENCE NO.		APP. C. W. ...	DATE 07-14-80
MATERIAL SPEC. SEE DWG.			
NAME ASM CONN 3MF W/P TWR			
PART NO. 1201 5795			SIZE C



X-ON Electronics

Largest Supplier of Electrical and Electronic Components

Click to view similar products for [Automotive Connectors](#) category:

Click to view products by [APTIV](#) manufacturer:

Other Similar products are found below :

[003-018-000](#) [60403001](#) [60993906-B](#) [M902-2131](#) [M902-2161](#) [72.330.1035.1](#) [73.353.4028.0](#) [F119300-B](#) [F166900](#) [F258300-B](#) [F358300-B](#)
[F407400](#) [F444110](#) [F487000](#) [F509500B-B](#) [827153-1](#) [8N1515-32-24P](#) [9-1326729-8](#) [925474-1](#) [928905-1](#) [964562-4](#) [968782-1](#) [GT17SA-8DS-](#)
[HU](#) [98891-1012](#) [98947-1016](#) [12004475-L](#) [12010290](#) [12010309-B](#) [12015454](#) [12020219-B](#) [12020308](#) [12041318-B](#) [12052225-L](#) [12052466](#)
[12059125](#) [12064869](#) [12004327-B](#) [12010503-B](#) [12015308](#) [12015384](#) [12015909](#) [1-21030-1](#) [12041254](#) [12041318](#) [12047946-B](#) [12047957](#)
[12047957-L](#) [12059473](#) [12066261](#) [12110546](#)