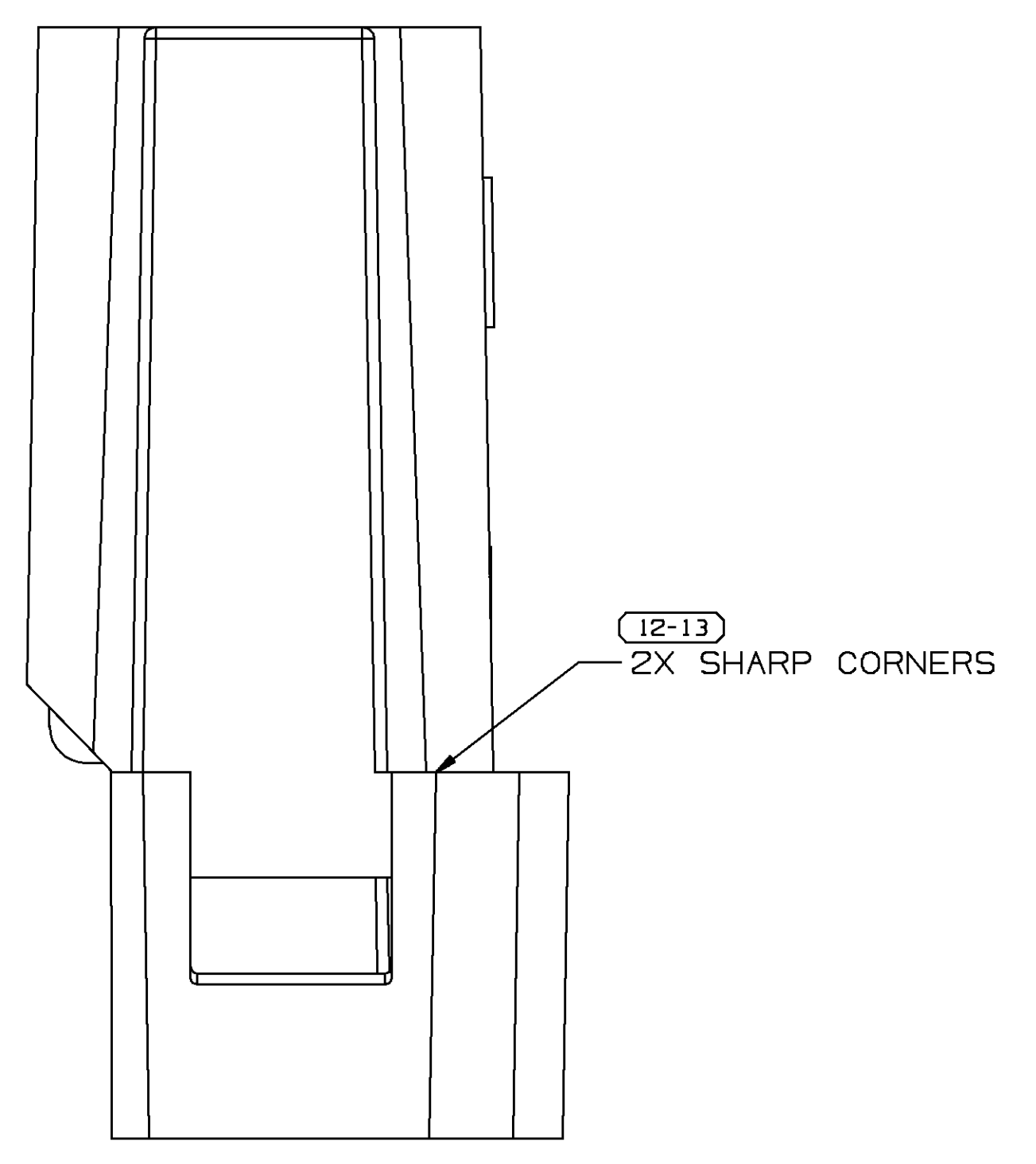
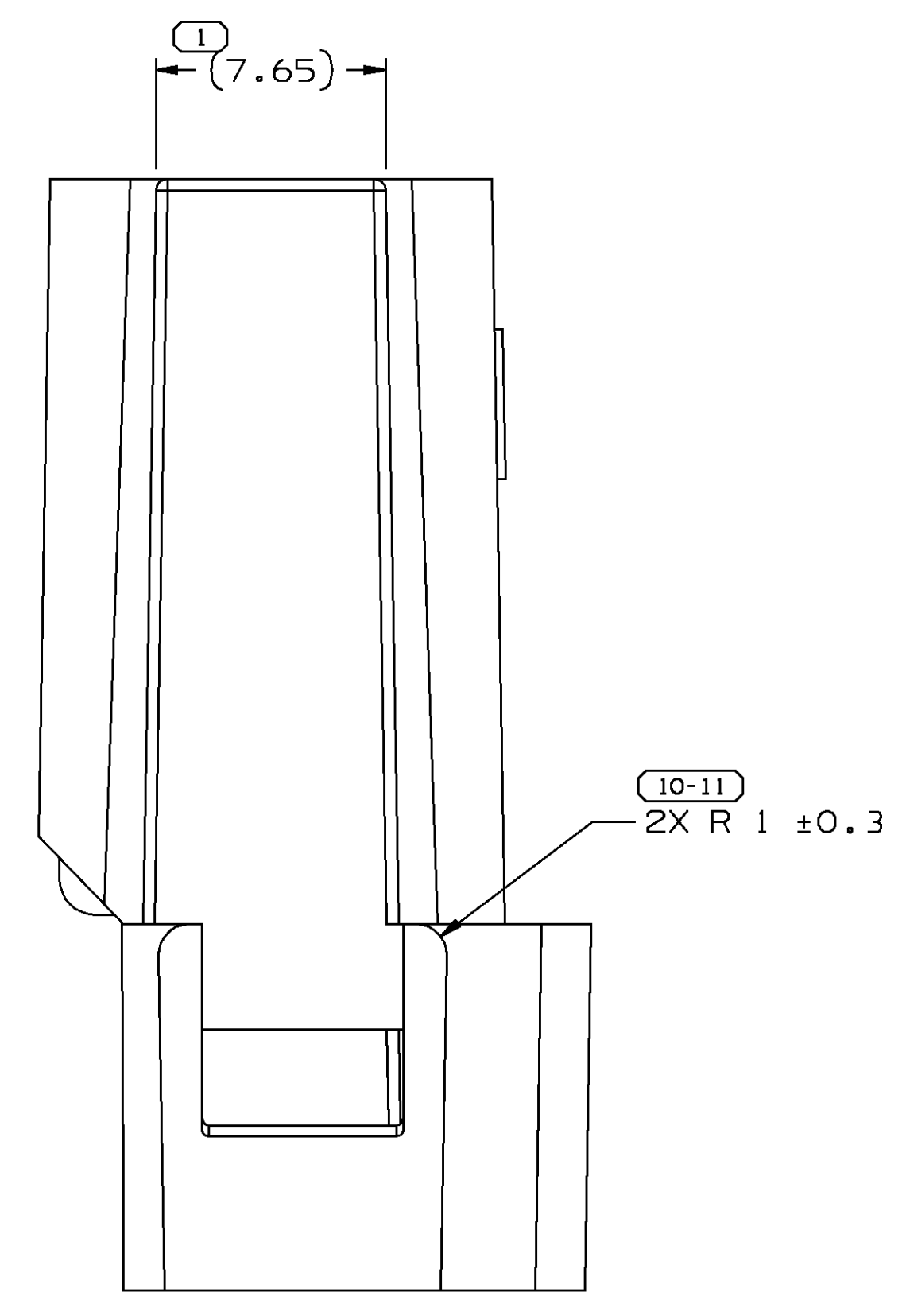
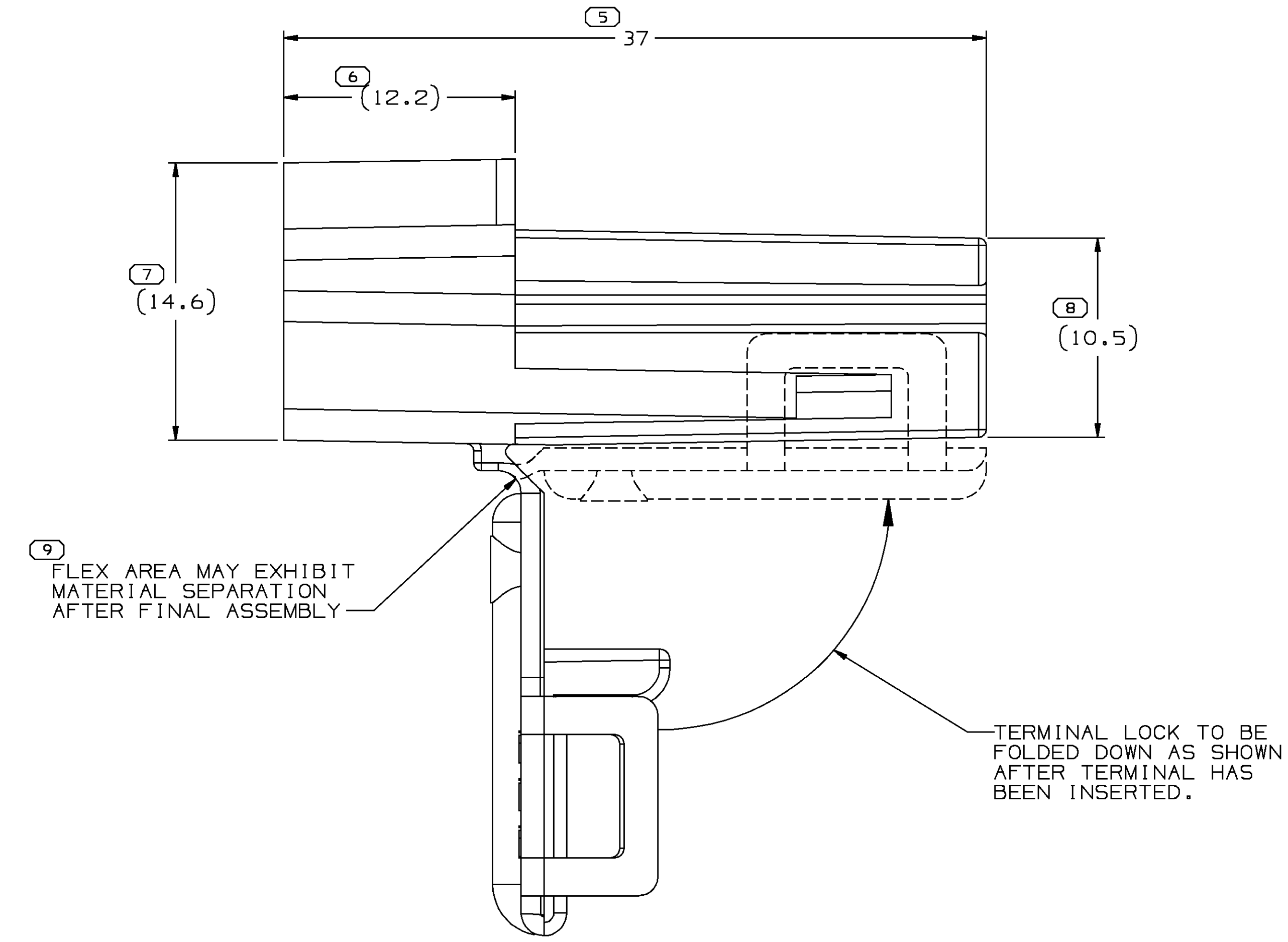
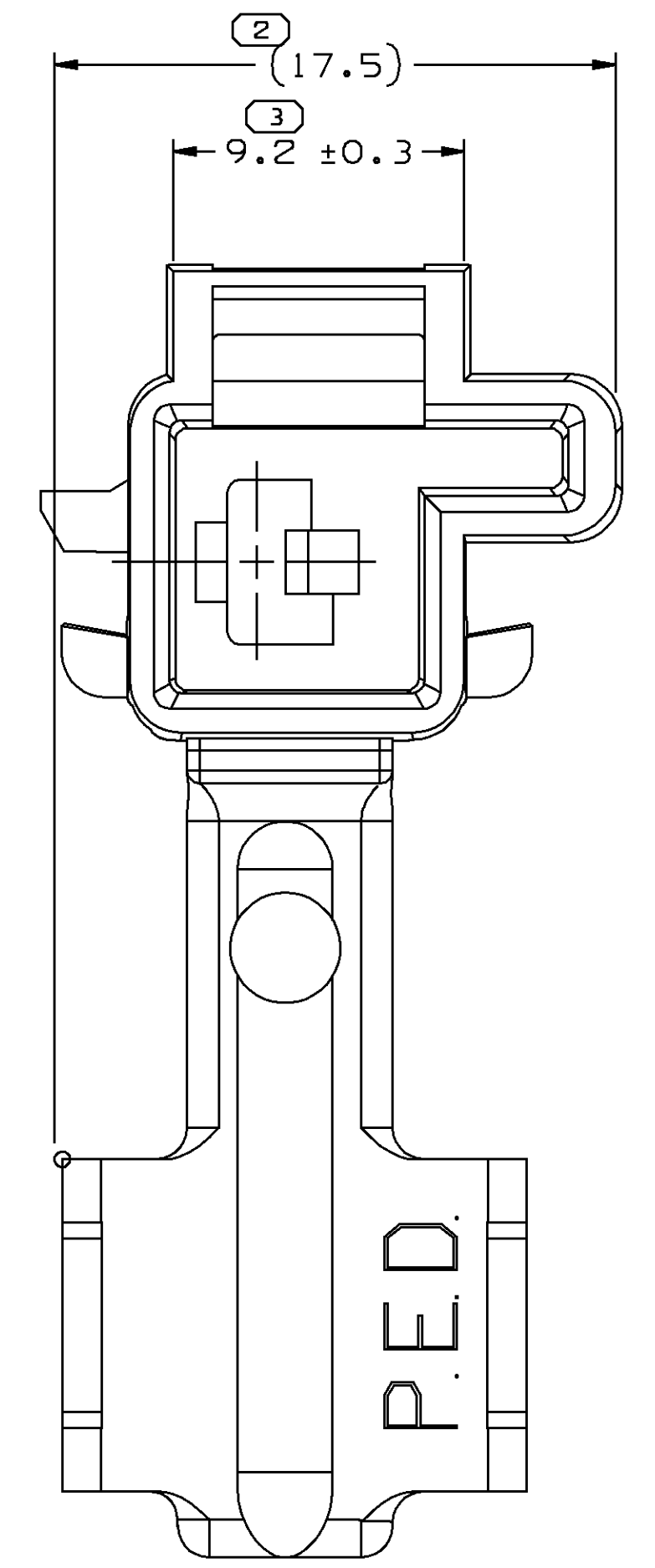


DELPHI PACKARD ELECTRIC SYSTEMS
WARREN, OHIO 44890

SYMBOL DEFINITION		MISSING NUMBERS		DATE	SYM	REVISION RECORD	AUTH	DR	CK
THE NUMBER INSIDE THE SYMBOL CORRESPONDS TO THE NUMBER ON THE INSPECTION REPORT FOR THIS DRAWING/PART NUMBER	TOTAL NO. OF SYMBOLS ON DRAWING	11		31	JL98	K2	REDRAWN TO PD1	ADDED	
	LAST NO. USED	13							
							OPTIONAL CONSTRUCTION		187261
									EA
									RM
									CM



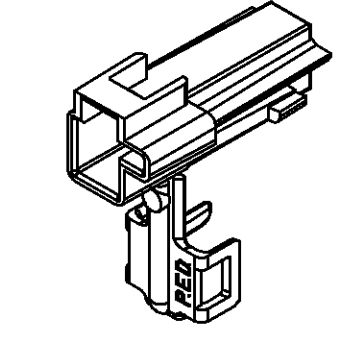
OPTIONAL CONSTRUCTION



PART NO
1201 5987

PART NO
1201 5987

- NOTES
- UNLESS OTHERWISE SPECIFIED AND/OR INDICATED: DIMENSIONS ARE TO FACE OF VIEW SHOWN AND AUTOMATICALLY ROUNDED BY COMPUTER FOR INSPECTION. (SEE MATH MODEL FOR PRECISE DIMENSIONS.) FOR ALL OTHER DIMENSIONS NOT SHOWN BUT REQUIRED FOR TOOL BUILD, SEE MATH MODEL FOR PRECISE TOOL PATH DATA.
 - THIS PART ACCEPTS THE FOLLOWING COMPONENTS OR EQUIVALENT: CAVITY TO ACCEPT 12020123 TERMINAL OR EQUIVALENT.
 - MATING COMPONENT OR EQUIVALENT: CONNECTOR 12015952



PART DRAWING

THIRD ANGLE PROJECTION

Unigraphics

CODE NO 6900 QC

DWG DATE 24SE80

SCALE 5:1

REFERENCE NO 001,701

DES OR DIANA GAYDOSHO5APB1
CK D.E. LBIRY 13APB1
APPR. SAVERISM 27APB1
VOL CM 3.213

MATERIAL SPEC R0071784 PA66 HS 1M-GR4 MD

NAME CONN 1M M/P 480

PART NUMBER 1201 5987

SIZE A0

THE DIMENSION NUMBERS SHOWN BELOW INDICATE DIMENSIONS THAT ARE SENSITIVE FOR PART PRODUCTION	
(3)	(5) (6)
DIMENSIONS ENCLOSED IN (1) INDICATE REFERENCE DIMENSIONS AND NO TOLERANCE LIMITS ARE ESTABLISHED	
DIMENSIONAL RANGE	
FROM	> 20 > 30 > 70 > 100
TO	20 30 70 100
TOLERANCE UNLESS OTHERWISE SPECIFIED:	
(0 - 15)	± 0.2 ± 0.3 ± 0.4 ± 0.5
ANGULAR TOLERANCE	± 2'

X-ON Electronics

Largest Supplier of Electrical and Electronic Components

Click to view similar products for [Automotive Connectors](#) category:

Click to view products by [APTIV](#) manufacturer:

Other Similar products are found below :

[003-018-000](#) [60403001](#) [60993906-B](#) [629515004020001](#) [M902-2131](#) [M902-2161](#) [72.330.1035.1](#) [73.353.4028.0](#) [F119300-B](#) [F166900](#)
[F258300-B](#) [F358300-B](#) [F407400](#) [F444110](#) [F487000](#) [F509500B-B](#) [827153-1](#) [8N1515-32-24P](#) [9-1326729-8](#) [925474-1](#) [928905-1](#) [964562-4](#)
[968782-1](#) [GT17SA-8DS-HU](#) [98891-1012](#) [98947-1016](#) [12004475-L](#) [12010290](#) [12010309-B](#) [12015454](#) [12020219-B](#) [12020308](#) [12041318-B](#)
[12052225-L](#) [12052466](#) [12059125](#) [12064869](#) [12004327-B](#) [12010503-B](#) [12015308](#) [12015384](#) [12015909](#) [1-21030-1](#) [12041254](#) [12041318](#)
[12047946-B](#) [12047957](#) [12047957-L](#) [12059473](#) [12066261](#)