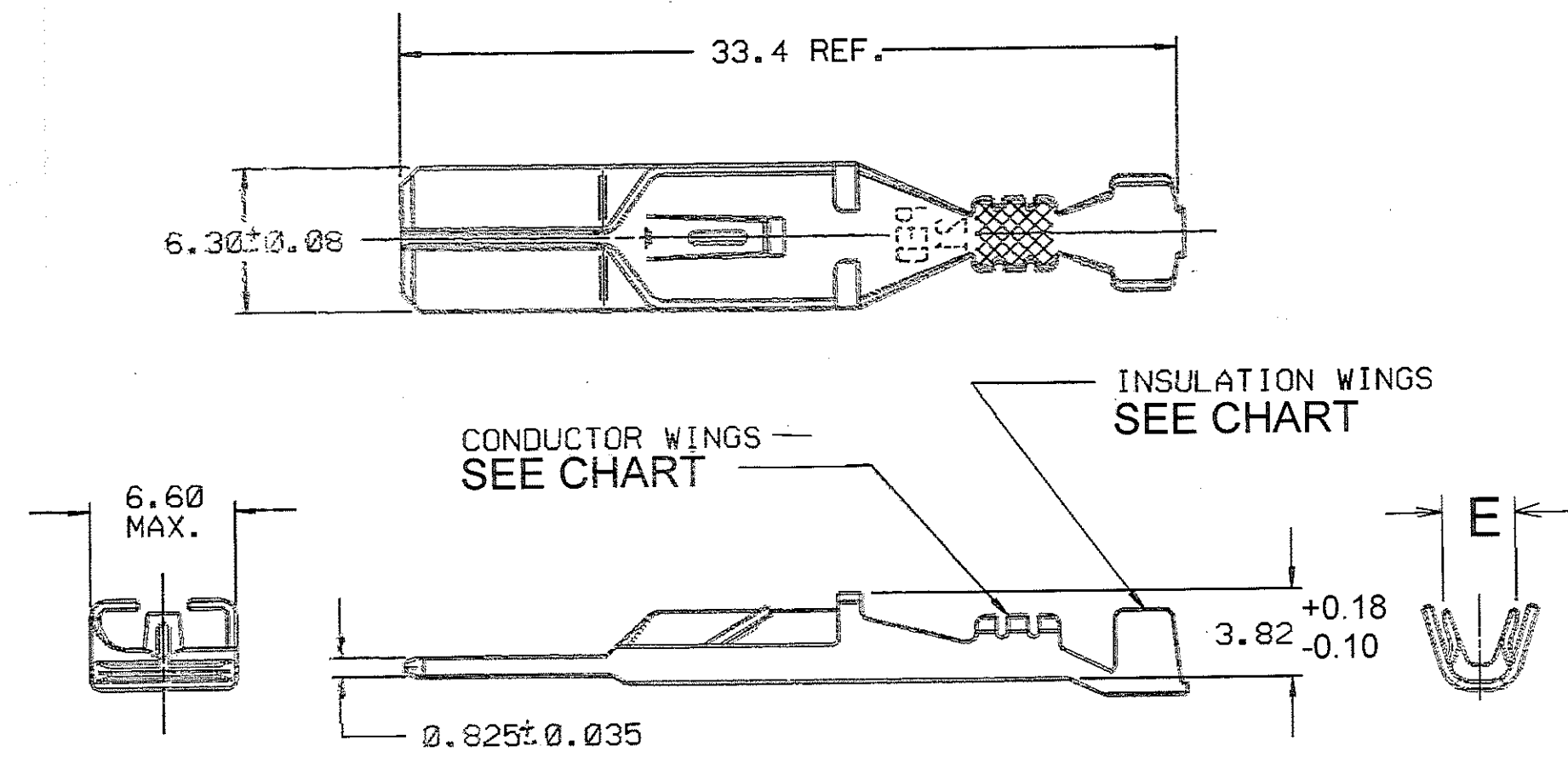


DWG STATUS					ZONE	REVISION HISTORY	AUTH	DR	APVD1	APVD2
DATE	STG	REV	N/P	CHG						
27N006	R	09	-	-		ALL ACTIVE PARTS - RELEASED TAXI PART DRAWING	287070	TLD	TLD	MG0
18DE06	R	10	-	-		ALL ACTIVE PARTS - REVISED MATERIAL SPEC	286837	PCP	PCP	BDG



NOTES

- UNLESS OTHERWISE SPECIFIED AND/OR INDICATED:
DIMENSIONS ARE TO FACE OF VIEW SHOWN AND AUTOMATICALLY ROUNDED BY COMPUTER FOR INSPECTION (SEE MATH MODEL FOR PRECISE DIMENSIONS). FOR ALL OTHER DIMENSIONS NOT SHOWN BUT REQUIRED FOR TOOL BUILD, SEE MATH MODEL FOR PRECISE TOOL PATH DATA.
- REFERENCE MATING COMPONENTS OR EQUIVALENT:
TERMINAL 12015832

PART NO	REV	N/P	STATUS	MAT'L SIZE	MAT'L SPEC	PART NO	REV	N/P	STATUS	MAT'L SPEC	SIZE MM ²	CABLE	ID	TYPE	E _{0.4}
				0.381 X 42.47		12186095				TIN BRASS-SILVER PLATED	5.0-3.0	5.25-3.49	11	103	4.6
				0.381 X 42.47		12066493				TIN BRASS-TIN PLATED	5.0-3.0	5.25-3.49	11	103	4.6
12066278	A1			0.381 X 42.47	BRASS	12066454				TIN BRASS-TIN PLATED	0.50-0.35	2.51-1.84	21	101	2.6/2.2
				0.381 X 42.47		12052826				TIN BRASS-TIN PLATED	3.0	3.20-3.04	12	103	4.6
				0.381 X 42.47		12033972				TIN BRASS-TIN PLATED	TWO 0.8-0.5	3.12-2.03	219	103	3.7
				0.381 X 42.47		12020365				TIN BRASS-TIN PLATED	TWO 3.0	4.67-3.49	212	102	6.6
				0.381 X 42.47		12020127			OBSOLETE	F-1403336 ▲	5.0-3.0	5.25-3.49	11	102	4.6
12020390	B		OBSOLETE	0.381 X 42.47	M-1403336	12020126				TIN BRASS-TIN PLATED	2.0-1.0	3.97-2.48	15	102	3.7
12020391	D		OBSOLETE	0.381 X 42.47	M-1403336	12020125				TIN BRASS-TIN PLATED	0.8-0.5	3.12-2.03	19	101	3.2
				UNPLATED						PLATED					

DWG TYPE: PART DRAWING

STYLE: _____

VOLUME (CMPI): _____ DISTR CODE: D

UNLESS OTHERWISE SPECIFIED
THIS DOCUMENT IS IN ACCORDANCE WITH ASME Y14.5M-1994 AS AMENDED BY THE SMD GLOBAL DIMENSIONING AND TOLERANCING ADDENDUM-2001. SEPARATE PATTERNS OF FEATURES MAY BE GAGED SEPARATELY REGARDLESS OF DATUM REFERENCES.

ALL DIMENSIONS ARE IN MILLIMETERS

REFERENCE: _____

DELPHI
DELPHI PACKARD ELECTRIC SYSTEMS
WARREN, OH

DR: _____ DATE: _____

APVD1: TERRI DAVIS 27N006
APVD2: TERRI DAVIS 27N006
APVD3: MICHAEL OROLOGAS 28N006
APVD4: _____
APVD5: _____

SUBSTANCES OF CONCERN AND RECYCLED CONTENT PER DELPHI 10949001

MATERIAL: SEE CHART

DRAWING NAME: TAXI

DRAWING NUMBER: 12010124

SIZE: A1 SCALE: NONE FRAME NO: 1 OF 1 SHEET NO: 1 OF 1 STG: R REV: 10 N/P: -

TOLERANCE UNLESS OTHERWISE SPECIFIED:
DECIMAL: ONE PLACE ±0.3 ANGULAR ±2°
TWO PLACE ±0.15

THIRD ANGLE PROJECTION

DO NOT SCALE

USE MATH DATA

CAD NX

X-ON Electronics

Largest Supplier of Electrical and Electronic Components

Click to view similar products for [Automotive Connectors](#) category:

Click to view products by [APTIV](#) manufacturer:

Other Similar products are found below :

[003-018-000](#) [60403001](#) [60993906-B](#) [629515004020001](#) [M902-2131](#) [M902-2161](#) [72.330.1035.1](#) [73.353.4028.0](#) [F119300-B](#) [F166900](#)
[F258300-B](#) [F358300-B](#) [F407400](#) [F444110](#) [F487000](#) [F509500B-B](#) [827153-1](#) [8N1515-32-24P](#) [9-1326729-8](#) [925474-1](#) [928905-1](#) [964562-4](#)
[968782-1](#) [GT17SA-8DS-HU](#) [98891-1012](#) [98947-1016](#) [12004475-L](#) [12010290](#) [12010309-B](#) [12015454](#) [12020219-B](#) [12020308](#) [12041318-B](#)
[12052225-L](#) [12052466](#) [12059125](#) [12064869](#) [12004327-B](#) [12010503-B](#) [12015308](#) [12015384](#) [12015909](#) [1-21030-1](#) [12041254](#) [12041318](#)
[12047946-B](#) [12047957](#) [12047957-L](#) [12059473](#) [12066261](#)