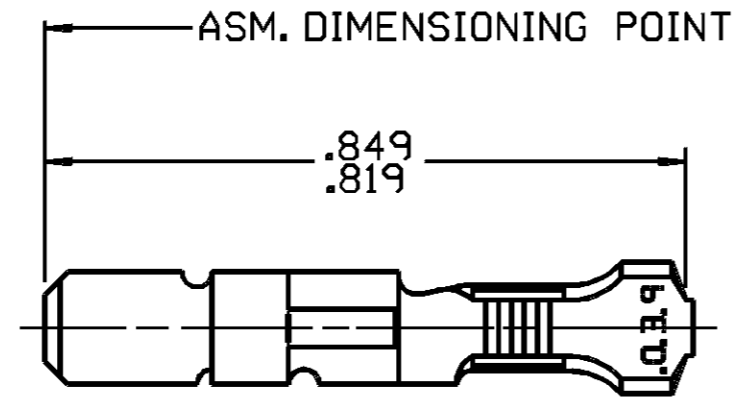


D

THIS DRAWING AND DESIGN HEREON CONSTITUTES A PROPRIETARY DESIGN OF PACKARD ELECTRIC DIVISION AND IS NOT TO BE DUPLICATED OR REPRODUCED WITHOUT AUTHORITY OF PACKARD ELECTRIC DIVISION.

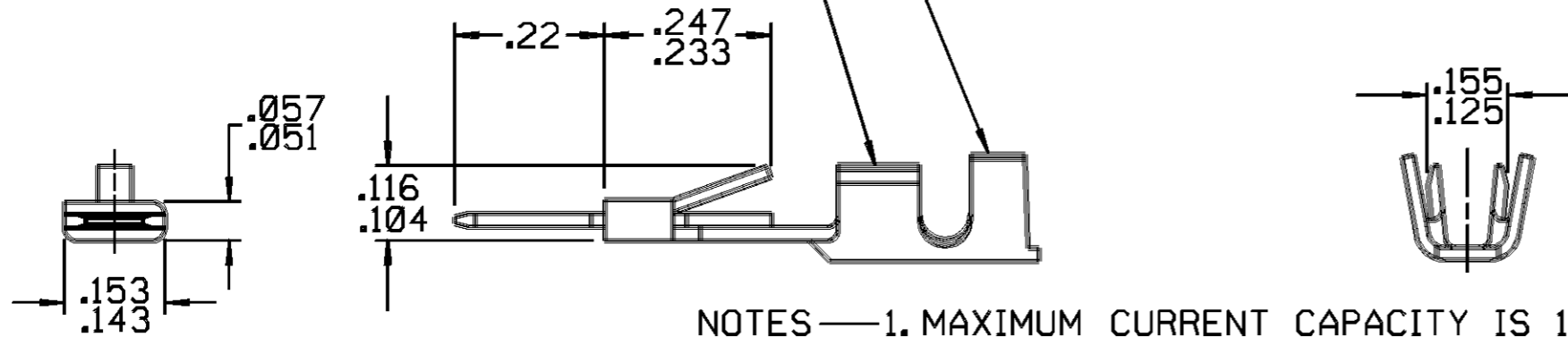
DO NOT SCALE



PART NO. 1202 0320

CONDUCTOR WINGS FOR 2.0-1.0 mm<sup>2</sup> OR TWO 0.8 mm<sup>2</sup> CABLE

INSULATION WINGS FOR 3.05 MM MAX. OR (1) 3.13 MM MAX. & (1) 1.57 MM MAX. INSUL. DIA.

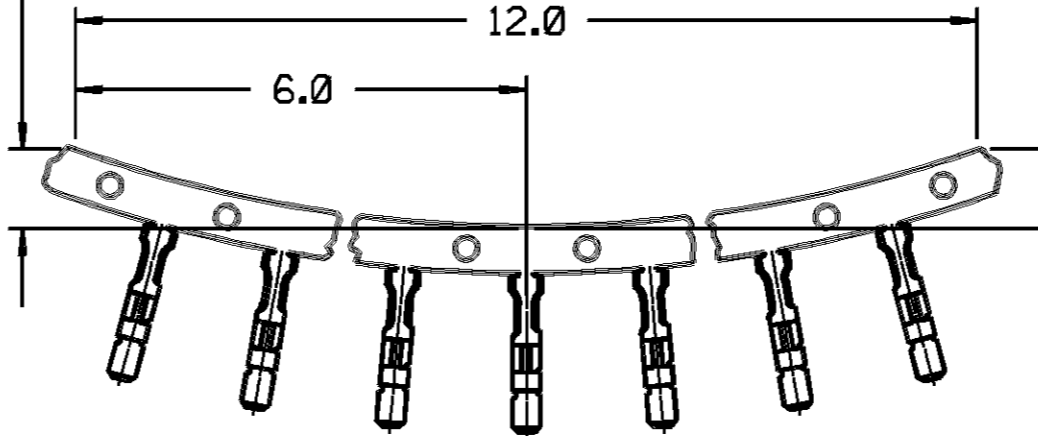
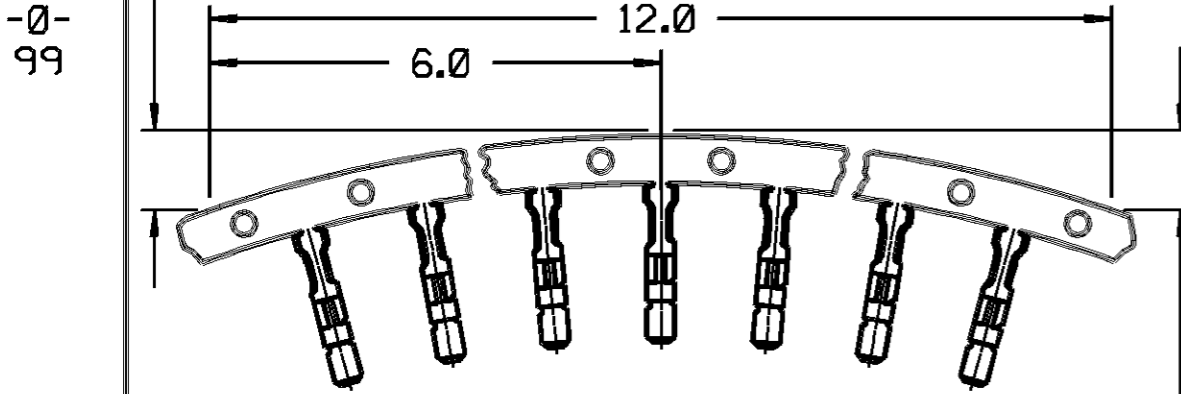


NOTES — 1. MAXIMUM CURRENT CAPACITY IS 18 AMPS.  
2. CRIMP WIDTH TO BE .154 MAX.

PACKARD ELECTRIC DIVISION  
GENERAL MOTORS CORPORATION  
WARREN, OHIO

.250 MAX. CAMBER PERMISSIBLE TOWARD PARTS.

.250 MAX. CAMBER PERMISSIBLE AWAY FROM PARTS.



.250 MAX. CAMBER PERMISSIBLE TOWARD PARTS.

CAMBER VIEWS  
FULL SCALE

.250 MAX. CAMBER PERMISSIBLE AWAY FROM PARTS.

DATE	SYM	REVISION RECORD	AUTHORITY	DR	CK
27JN86	—	REDRAWN AND REVISED			
		REV SYMBOL REMAINS AT 'C'	107163	EM	JT
07JA87	—	CAMBER VIEWS ADDED	109973	LT	

PED / MICROSTATION		FILE SPEC: ****USER**** DGN*SPECIFICATION***** *****SYTIME*****
THIRD ANGLE PROJECTION		METRIC DIMENSIONS ARE IN MILLIMETERS UNLESS OTHERWISE SPECIFIED.
CODE NO. 6900	TOLERANCE UNLESS OTHERWISE SPECIFIED DECIMAL: ANGULAR ± 2 ONE PLACE ± .01 TWO PLACE ± .005	
Q.C.	DR. Eric W. Mizer	DATE 27JN86
DWG. DATE 06JA81	SCALE NONE	CK. J. THIESS
EST. NO.	REFERENCE NO. SHT. 1	DATE 23JL86
	08900526 'D' SIZE	APPR. R.D. KEARNS
		DATE 31JL86
MATERIAL SPEC.	.018 THK. SAE CA 260 BRASS - TIN PLATED	
NAME	TERMINAL - MALE PACK-CON I SERIES	
PART NO.	1202 0320	SIZE B
	OUTLINE DRAWING	

## X-ON Electronics

Largest Supplier of Electrical and Electronic Components

*Click to view similar products for [Automotive Connectors](#) category:*

*Click to view products by [APTIV](#) manufacturer:*

Other Similar products are found below :

[003-018-000](#) [60403001](#) [60993906-B](#) [629515004020001](#) [M902-2131](#) [M902-2161](#) [72.330.1035.1](#) [73.353.4028.0](#) [F119300-B](#) [F166900](#)  
[F258300-B](#) [F358300-B](#) [F407400](#) [F444110](#) [F487000](#) [F509500B-B](#) [827153-1](#) [8N1515-32-24P](#) [9-1326729-8](#) [925474-1](#) [928905-1](#) [964562-4](#)  
[968782-1](#) [GT17SA-8DS-HU](#) [98891-1012](#) [98947-1016](#) [12004475-L](#) [12010290](#) [12010309-B](#) [12015454](#) [12020219-B](#) [12020308](#) [12041318-B](#)  
[12052225-L](#) [12052466](#) [12059125](#) [12064869](#) [12004327-B](#) [12010503-B](#) [12015308](#) [12015384](#) [12015909](#) [1-21030-1](#) [12041254](#) [12041318](#)  
[12047946-B](#) [12047957](#) [12047957-L](#) [12059473](#) [12066261](#)