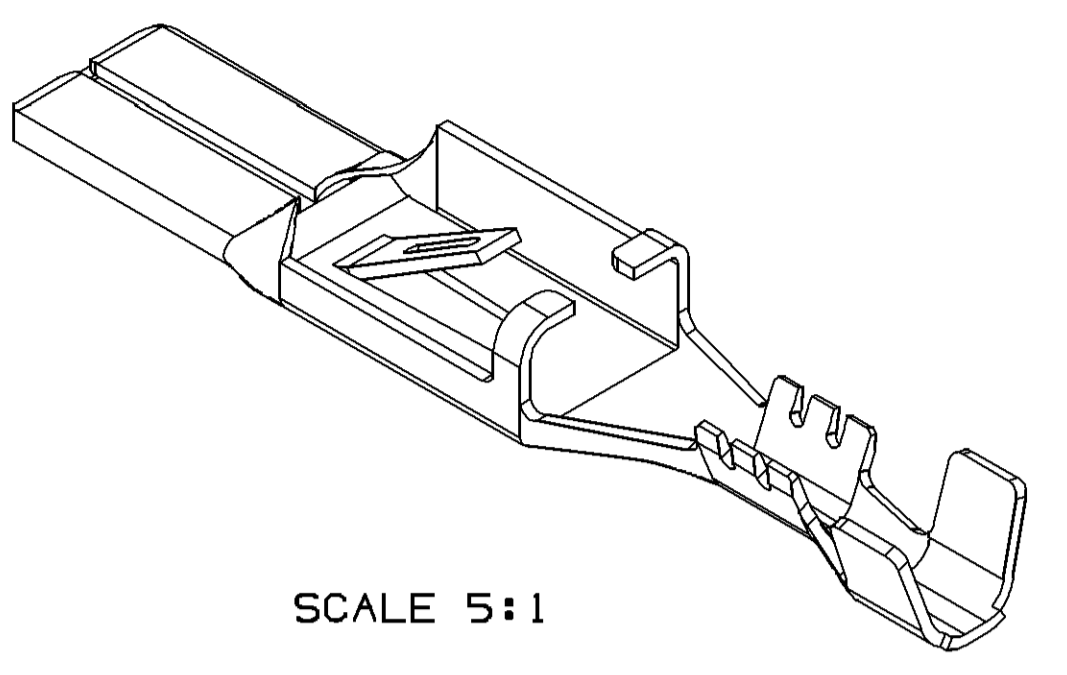
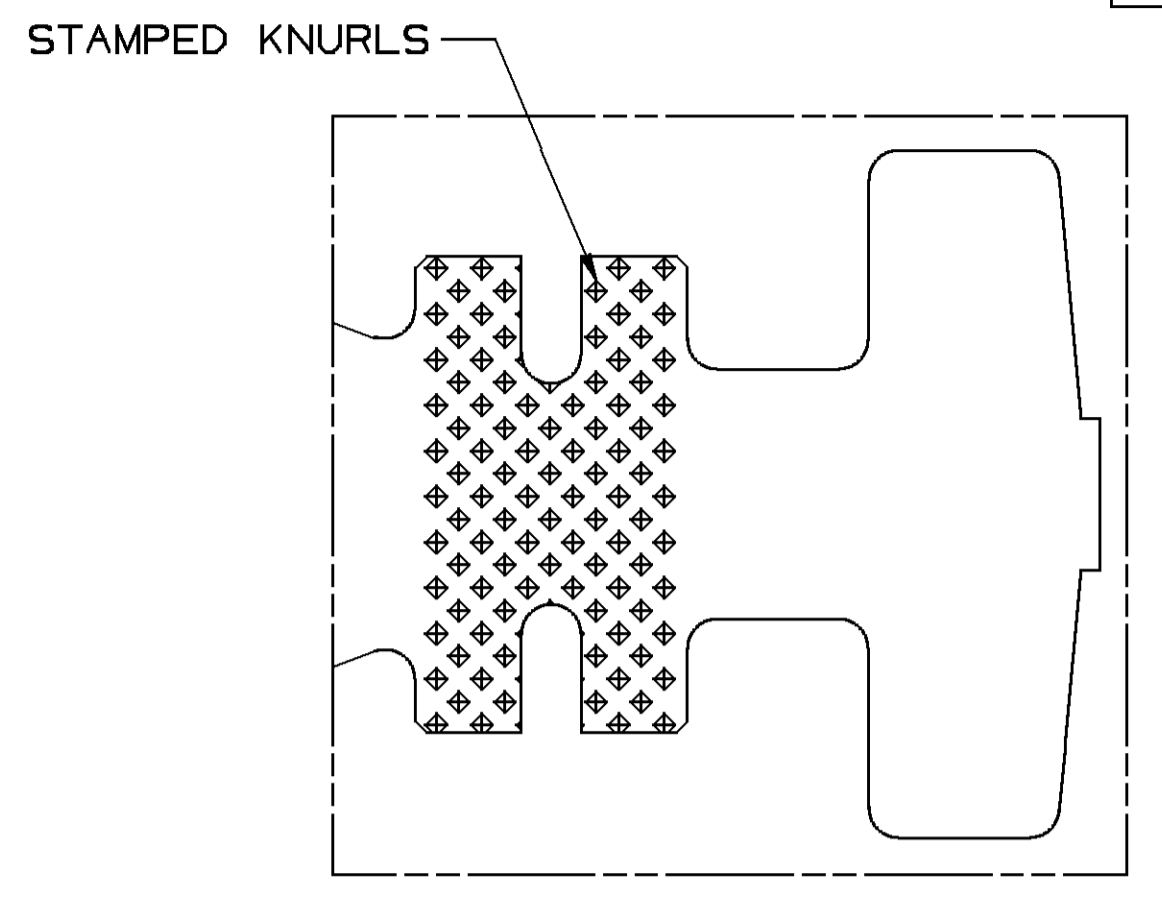
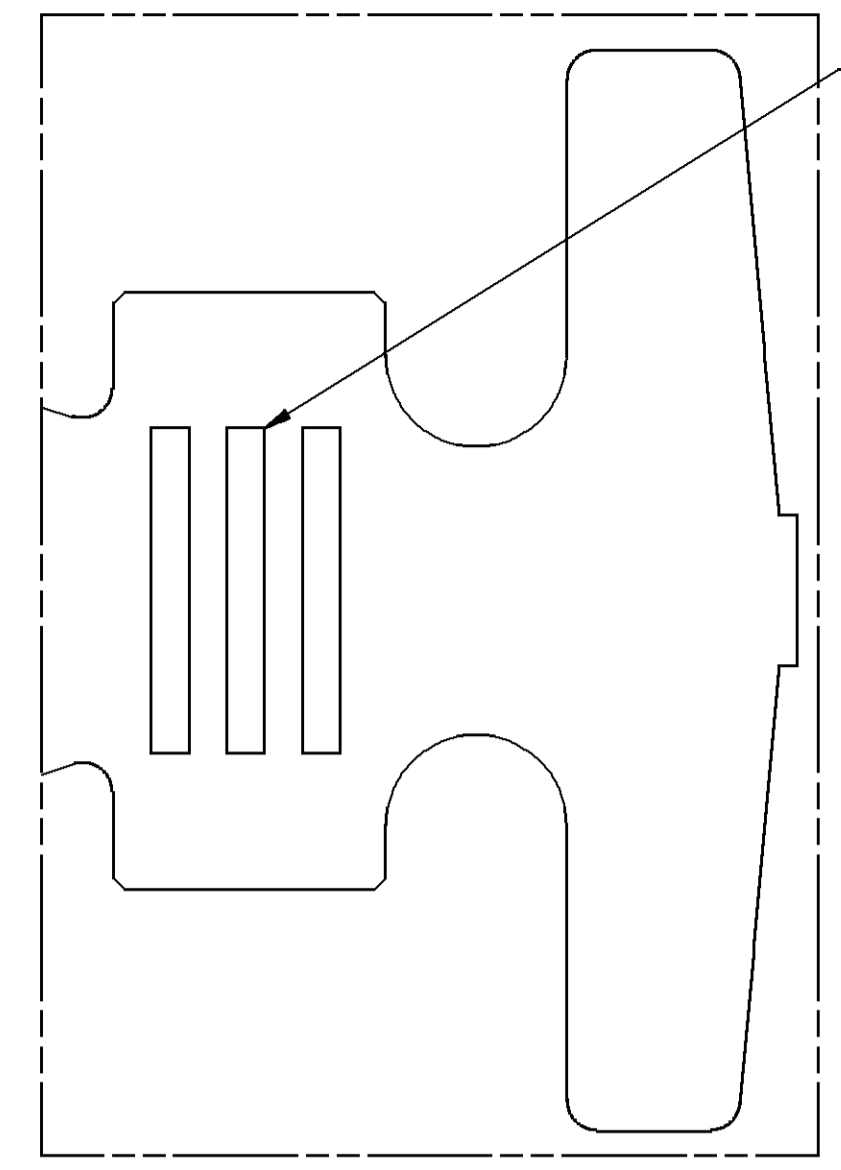


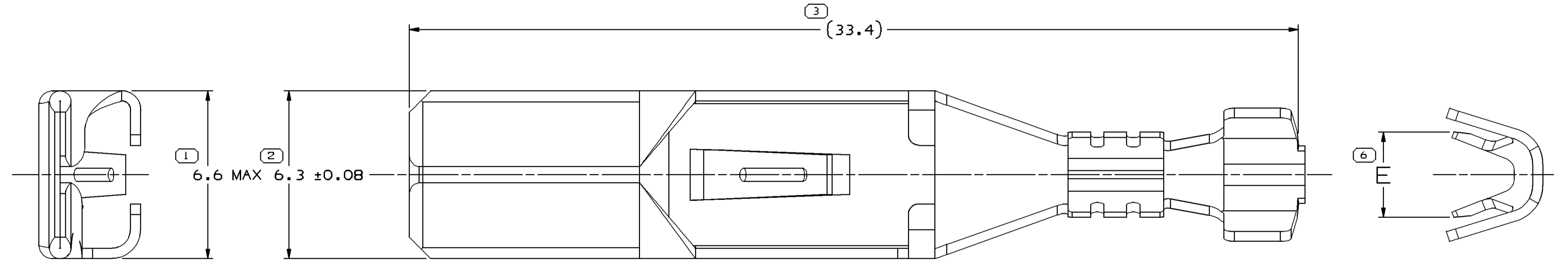
| SYMBOL DEFINITION | | MISSING SYMBOLS | |
|--|----------------------------------|--------------------------|---|
| A DIMENSION WITHOUT AN INSPECTION REPORT SYMBOL DOES NOT REQUIRE INSPECTION. IT MAY BE CONTROLLED ON THE INDIVIDUAL COMPONENT DRAWING. | TOTAL NO OF INSPECTIONS REQUIRED | NO MISSING SYMBOL NUMBER | 6 |
| | LAST NO. USED | | 6 |

| DWG STATUS | | | | REVISION HISTORY | | | | AUTH | | DR | | APVD | |
|------------|-----|-----|-----|------------------|------|---|--------|------|-----|-----|--|------|--|
| DATE | STG | REV | N/P | CHG | ZONE | | | | | | | | |
| 27N006 | R | 09 | - | - | | ALL ACTIVE PARTS - RELEASED TAXI PART DRAWING | 287070 | TLD | TLD | MGO | | | |
| 18DE06 | R | 10 | - | - | | ALL ACTIVE PARTS - REVISED MATERIAL SPEC | 286837 | PCP | PCP | BDG | | | |
| 11SE09 | R | 11 | - | - | | ALL ACTIVE PARTS - REDRAWN TO 3D MODELS | 408916 | ECB | AUG | APR | | | |
| 200C09 | R | 12 | - | - | | ALL ACTIVE PARTS - DIM 3.82 +0.3/-0.1 WAS +0.18/-0.1 | 409267 | APR | MMC | APR | | | |
| 140C10 | R | 13 | - | - | | ALL ACTIVE PARTS - UPDATED PDM ATTRIBUTES | 412261 | ACR | JVM | GEM | | | |
| 08A612 | R | 14 | - | - | | 12020125-26, 12020365, 12033972, 12052826, 12066454 & 12066493 - UPDATED PDM ATTRIBUTES | 419205 | AGM | AGM | MAA | | | |
| 14FE14 | R | 15 | - | - | | 12020126, 12020365 - ADDED TYPE 102 VIEW; 12033972, 12052826, 12066493 & 12186095 - ADDED TYPE 103 VIEW | 425501 | AGC | JVM | JSM | | | |
| 19FE15 | R | 16 | - | - | | 12186095 - ADDED TARNISH INFO NOTE | 428877 | ABH | JVM | JSM | | | |



TYPE 102
SAME AS TYPE 101
EXCEPT AS SHOWN

TYPE 103
SAME AS TYPE 101
EXCEPT AS SHOWN



INSULATION WINGS FOR
(SEE CHART) MAX INSULATION DIA

CONDUCTOR WINGS FOR
(SEE CHART) MM² CABLE

NOTES

- UNLESS OTHERWISE SPECIFIED AND/OR INDICATED:
DIMENSIONS ARE TO FACE OF VIEW SHOWN AND AUTOMATICALLY ROUNDED BY COMPUTER FOR INSPECTION (SEE MATH MODEL FOR PRECISE DIMENSIONS). FOR ALL OTHER DIMENSIONS NOT SHOWN BUT REQUIRED FOR TOOL BUILD, SEE MATH MODEL FOR PRECISE TOOL PATH DATA.
- REFERENCE MATING COMPONENTS OR EQUIVALENT:
TERMINAL 12015832
- FOR TERMINALS PACKAGED & STORED IN THE APPROVED MANNER, TARNISH ON SILVER PLATED SURFACES WILL NOT AFFECT THE PERFORMANCE OF THE PART.

| | |
|--|---------------|
| INDICATES THAT PHYSICAL PARTS ARE NOT AVAILABLE FOR ORDERING. | |
| PART NUMBERS THAT DO NOT HAVE A LINE PRESENT INDICATE THAT PHYSICAL PARTS ARE AVAILABLE FOR ORDERING. | |
| CONTACT DELPHI SALES TO ASSURE AVAILABILITY OF PARTS. | |
| DWG TYPE | PART DRAWING |
| STYLE | |
| VOLUME (C/P) | DISTR CODE |
| | D |
| UNLESS OTHERWISE SPECIFIED | |
| THIS DOCUMENT IS IN ACCORDANCE WITH ASME Y14.5M-1994 AS AMENDED BY THE GM GLOBAL DIMENSIONING AND TOLERANCING ADDENDUM-2001. SEPARATE PATTERNS OF FEATURES MAY BE GAGED SEPARATELY REGARDLESS OF DATUM REFERENCES. | |
| ALL DIMENSIONS ARE IN MILLIMETERS | |
| REFERENCE | |
| THIRD ANGLE PROJECTION | DO NOT SCALE |
| | USE MATH DATA |
| | NX |

DELPHI
DELPHI PACKARD ELECTRICAL/ELECTRONIC ARCHITECTURE
WARREN, OH
COPYRIGHT 2006 DELPHI CORPORATION AND/OR ITS AFFILIATES. ALL RIGHTS RESERVED.

THIS DRAWING IS THE PROPERTY OF DELPHI CORPORATION AND CONTAINS DELPHI CONFIDENTIAL INFORMATION. THE REPRODUCTION, DISTRIBUTION AND UTILIZATION OF THIS DOCUMENT OR ITS RELATED CAD MATH DATA, AS WELL AS COMMUNICATION OF ANY CONTENT TO OTHERS, WITHOUT EXPRESS AUTHORIZATION, IS PROHIBITED.

| | |
|------------------------|--------|
| DR | DATE |
| APVD1 TERRI DAVIS | 27N006 |
| APVD2 TERRI DAVIS | 27N006 |
| APVD3 MICHAEL OROLOGAS | 28N006 |
| APVD4 | |
| APVD5 | |

SUBSTANCES OF CONCERN AND RECYCLED CONTENT PER DELPHI 10949001

MATERIAL SEE CHART

DRAWING NAME
TAXI TERM M/M/P 630

DRAWING NUMBER
12020124

| | | | | | | |
|------|-------|----------|----------|-----|-----|-----|
| SIZE | SCALE | FRAME NO | SHEET NO | STG | REV | N/P |
| A1 | 10:1 | 1 OF 1 | 1 OF 1 | R | 16 | - |

| PART NO | REV | N/P | MAT'L SIZE | MAT'L SPEC | PART NO | REV | N/P | MAT'L SPEC | SIZE | MM ² | DIA | ID | TYPE | E _{±0.4} |
|----------|-----|-----|---------------|--------------|----------|-----|-----|-------------------------|-------------|-----------------|-----|-----|----------|-------------------|
| | | | 0.381 X 42.47 | | 12186095 | A6 | - | AG PLATED COPPER ALLOY | 5 - 3 | 5.25-3.49 | 11 | 103 | 4.6 | |
| | | | 0.381 X 42.47 | | 12066493 | C6 | - | TIN PLATED COPPER ALLOY | 5 - 3 | 5.25-3.49 | 11 | 103 | 4.6 | |
| 12066278 | A4 | - | 0.381 X 42.47 | COPPER ALLOY | 12066454 | B7 | - | TIN PLATED COPPER ALLOY | 0.5-0.35 | 2.51-1.84 | 21 | 101 | 2.4 ±0.2 | |
| | | | 0.381 X 42.47 | | 12052826 | E6 | - | TIN PLATED COPPER ALLOY | 3 | 3.2-3.04 | 12 | 103 | 4.6 | |
| | | | 0.381 X 42.47 | | 12033972 | E6 | - | TIN PLATED COPPER ALLOY | TWO 0.8-0.5 | 3.12-2.03 | 219 | 103 | 3.7 | |
| | | | 0.381 X 42.47 | | 12020365 | F6 | - | TIN PLATED COPPER ALLOY | TWO 3 | 4.67-3.49 | 212 | 102 | 6.6 | |
| | | | 0.381 X 42.47 | | 12020127 | D | - | BRASS | 5 - 3 | 5.25-3.49 | 11 | 102 | 4.6 | |
| 12020390 | B | - | 0.381 X 42.47 | BRASS | 12020126 | E6 | - | TIN PLATED COPPER ALLOY | 2 - 1 | 3.97-2.48 | 15 | 102 | 3.7 | |
| 12020391 | D | - | 0.381 X 42.47 | BRASS | 12020125 | G6 | - | TIN PLATED COPPER ALLOY | 0.8-0.5 | 3.12-2.03 | 19 | 101 | 3.2 | |
| | | | MAT'L SIZE | MAT'L SPEC | | | | MAT'L SPEC | | | | | | |
| | | | UNPLATED | | | | | PLATED | | | | | | |
| | | | | | | | | | | | | | | |

| | |
|--|-----------|
| PROCESS SENSITIVE DIMENSION | |
| DIMENSIONS ENCLOSED IN () INDICATE REFERENCE DIMENSIONS AND NO TOLERANCE LIMITS ARE ESTABLISHED | |
| DIMENSIONAL RANGE (MM) | CHART 'D' |
| FROM 0 TO 12 | >12 |
| TOLERANCE UNLESS OTHERWISE SPECIFIED | |
| ±0.1 | ±0.2 |
| ANGULAR TOLERANCE ±2° | |

X-ON Electronics

Largest Supplier of Electrical and Electronic Components

Click to view similar products for [Automotive Connectors](#) category:

Click to view products by [APTIV](#) manufacturer:

Other Similar products are found below :

[003-018-000](#) [60403001](#) [60993906-B](#) [629515004020001](#) [M902-2131](#) [M902-2161](#) [72.330.1035.1](#) [73.353.4028.0](#) [F119300-B](#) [F166900](#)
[F258300-B](#) [F358300-B](#) [F407400](#) [F444110](#) [F487000](#) [F509500B-B](#) [827153-1](#) [8N1515-32-24P](#) [9-1326729-8](#) [925474-1](#) [928905-1](#) [964562-4](#)
[968782-1](#) [GT17SA-8DS-HU](#) [98891-1012](#) [98947-1016](#) [12004475-L](#) [12010290](#) [12010309-B](#) [12015454](#) [12020219-B](#) [12020308](#) [12041318-B](#)
[12052225-L](#) [12052466](#) [12059125](#) [12064869](#) [12004327-B](#) [12010503-B](#) [12015308](#) [12015384](#) [12015909](#) [1-21030-1](#) [12041254](#) [12041318](#)
[12047946-B](#) [12047957](#) [12047957-L](#) [12059473](#) [12066261](#)