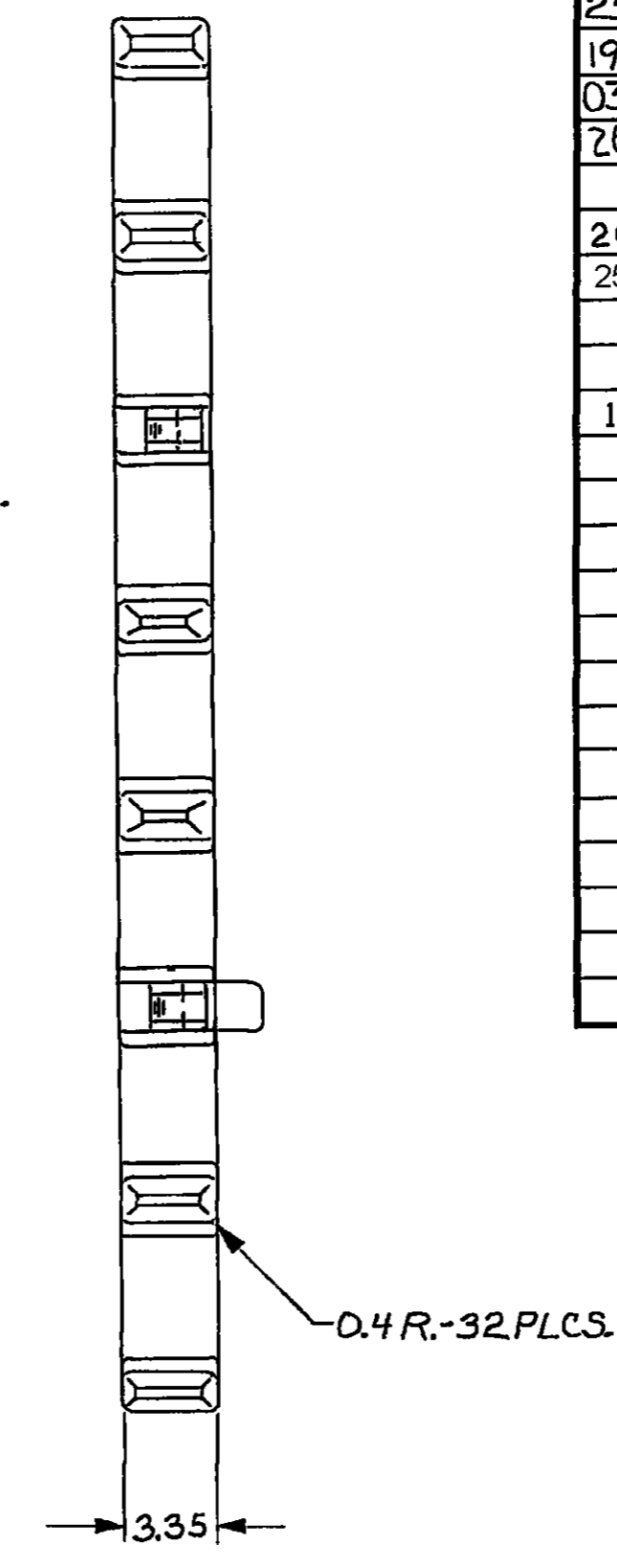
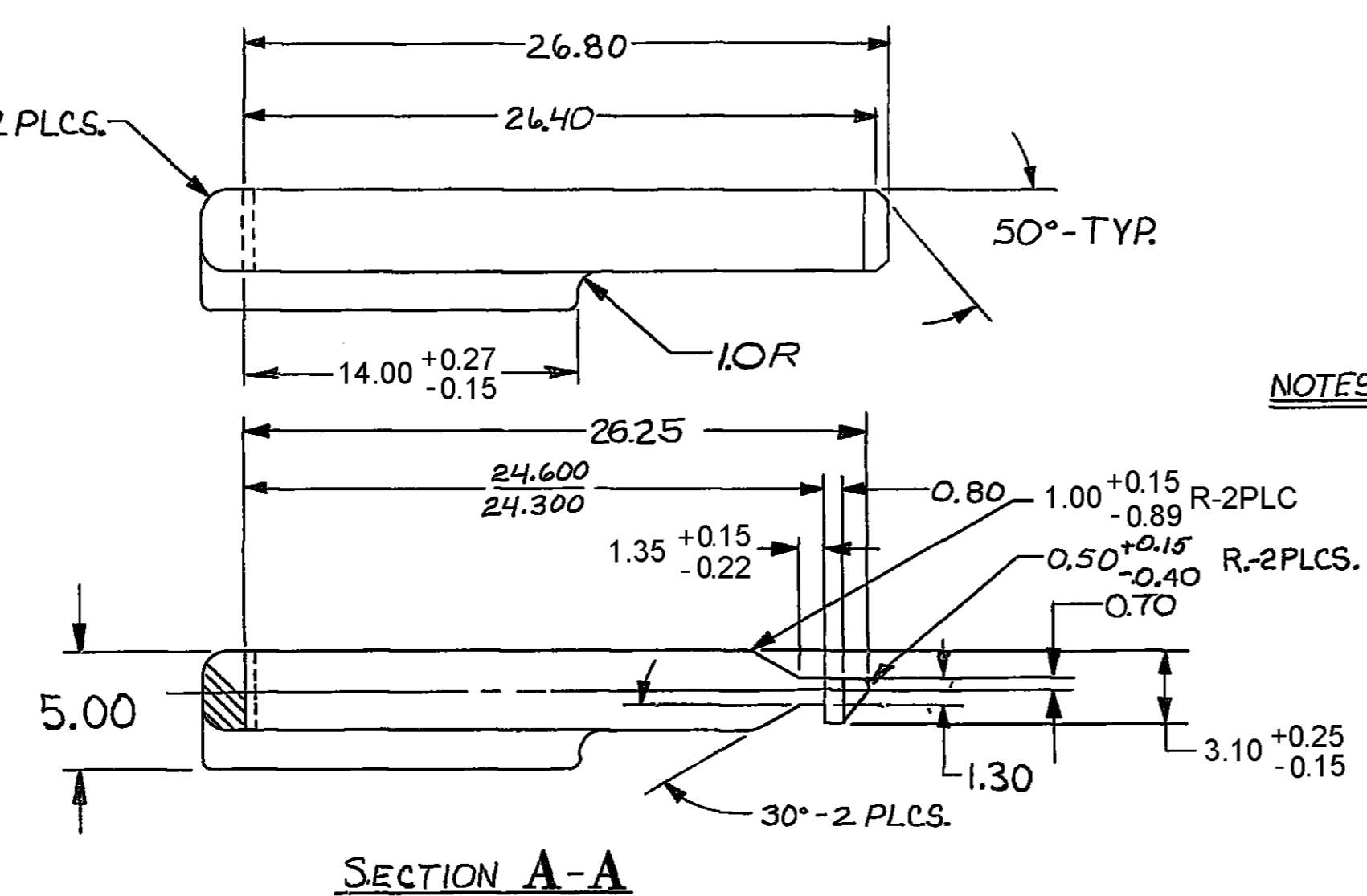
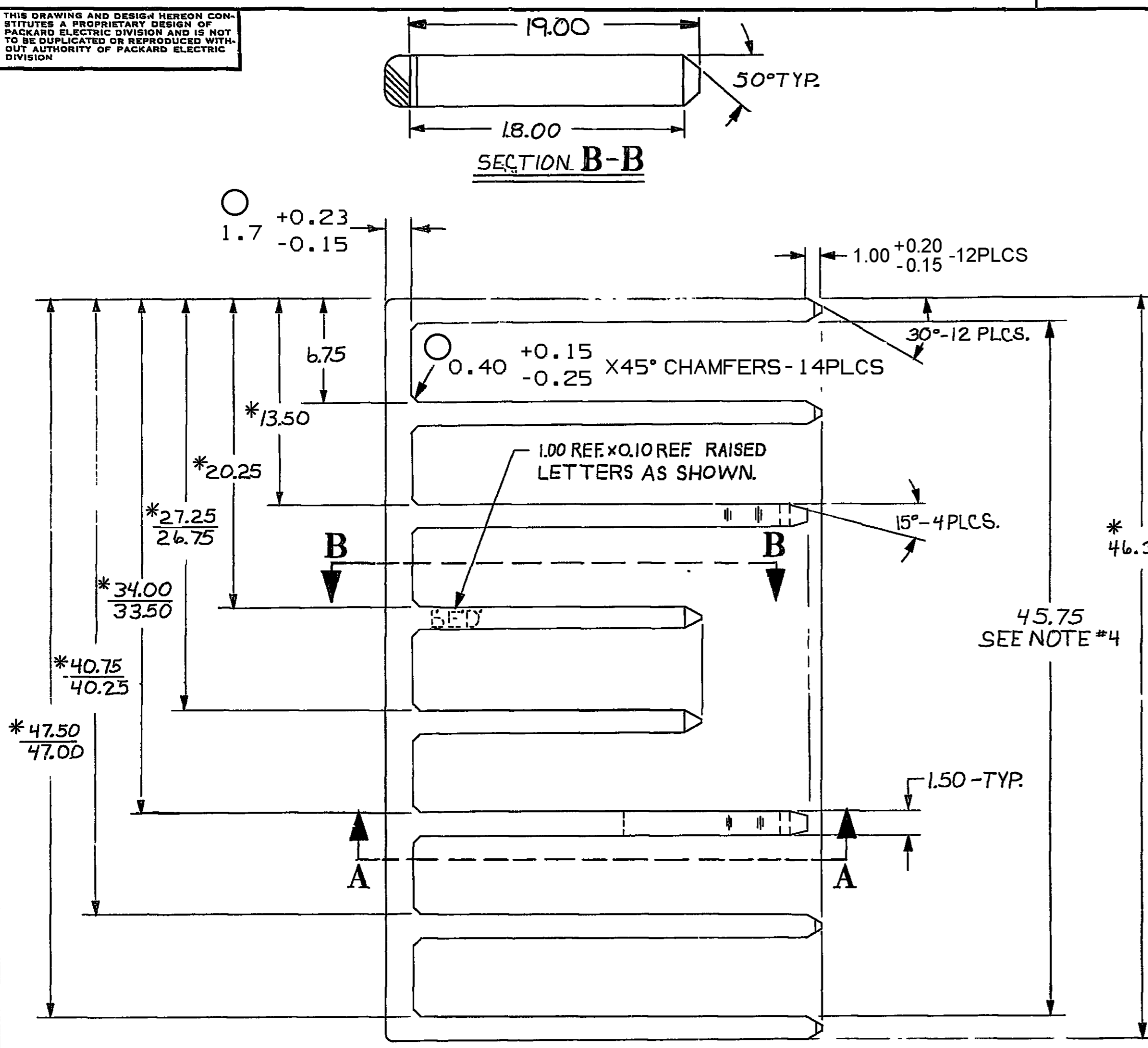
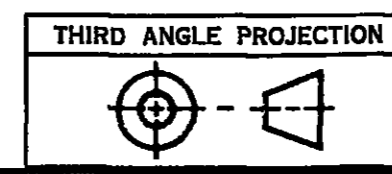


D THIS DRAWING AND DESIGN HEREON CONSTITUTES A PROPRIETARY DESIGN OF PACKARD ELECTRIC DIVISION AND IS NOT TO BE DUPLICATED OR REPRODUCED WITHOUT AUTHORITY OF PACKARD ELECTRIC DIVISION

PACKARD ELECTRIC DIVISION  
GENERAL MOTORS CORPORATION  
WARREN, OHIO



- NOTES**
1. ALL RADII 0.40, UNLESS OTHERWISE SPECIFIED.
  2. THIS PART TO BE USED IN CONNECTORS 12020900, 12020902 & 12034272.
  3. THIS PART IS NOT CONTROLLED FOR AUTOMATIC FEEDING.
  4. DIMENSIONS MARKED WITH AN ASTERISK (\*) TO BE MEASURED WHEN OUTSIDE FINGERS ARE HELD TO DIMENSION SHOWN.



DATE	SYM	REVISION RECORD	AUTH	DR	CK
06NO81	A	RELEASED	81005	VS	SM
13SE82	B	REVISED	82121	RK	SM
06OC82	C	DIM. 19.00 WAS 18.40.	82314	DR	SM
08OC82	D	REVISED	82542	DR	SM
15JA83	E	REMOVED 23.10 DIM.; ADDED 1.00 DIM.; 1.00 R. - 2 PLCS. WAS 0.6 R. - 2 PLCS.	83583	DB	SM
25MR83	F	THICK LOCK FINGERS REVISED	84528	RK	SM
19AP83	-	REVISED	84820	MF	DT
08SE83	G	REVISED DIMS. (3 PLCS.)	86550	LS	SM
25OC83	-	24.600/24.300 WAS 24.45	86842	VF	SC
19JA84	H	REMOVED ONE INDEX TAB.	88325	BK	SM
03DE84	J	REVISED	94550	MS	FH
26MR86	K	MAT'L SPEC. WAS R-66004 POLYESTER - BLUE.	104520	JR	JA
20DE95	K1	MAT'L WAS PM002191-005	168433	JHH	JHH
25MY06	K2	MAT'L SPEC WAS R0100111; REVISED TOLERANCES (5 PLCS) & ADDED ASTERICK (1 PLC)	281012	MDH	JVM
19AU09	K3	DIM 0.40+0.15/-0.25 X45° CHAMFER 14PLCS WAS 0.40X45° CHAMFER 14PLCS; DIM 1.7+0.23/-0.15 WAS 1.7±0.15	408692	MFG	JPZ

PART NO  
**12020905**

**METRIC**  
DIMENSIONS ARE IN MILLIMETRES  
UNLESS OTHERWISE SPECIFIED

P. N. C. CODE		C06D1611	
CODE NO.	6900	TOLERANCE UNLESS OTHERWISE SPECIFIED	ANGULAR ± 2°
QC - C - 4004		DECIMAL ONE PLACE ± 0.3	TWO PLACE ± 0.15
DWG DATE	07OC 81	SCALE	4:1
DR	Valence Swales	DATE	06NO 81
EST. NO.		CK	J. M. Moore
REFERENCE NO		DATE	01DE 81
		APPR	Em Bump
		DATE	03DE 81
		APPR	A. H. Winwood
MATERIAL SPEC.	M4695008 PBT BLU		
NAME	SECONDARY LOCK-23 COMBINATION		
PART NO.	12020905		SIZE
			C

## X-ON Electronics

Largest Supplier of Electrical and Electronic Components

*Click to view similar products for [Automotive Connectors](#) category:*

*Click to view products by [APTIV](#) manufacturer:*

Other Similar products are found below :

[003-018-000](#) [60993906-B](#) [M902-2131](#) [M902-2161](#) [M902-2344](#) [72.330.1035.1](#) [73.353.4028.0](#) [F166900](#) [F358300-B](#) [F407400](#) [776880-1](#)  
[827153-1](#) [8N1515-32-24P](#) [9-1326729-8](#) [925474-1](#) [928905-1](#) [964562-4](#) [968782-1](#) [98891-1012](#) [12004475-L](#) [12020308](#) [12041318-B](#)  
[12052466](#) [12064869](#) [12015909](#) [1-21030-1](#) [12041254](#) [12041318](#) [12047946-B](#) [12110546-B](#) [12131792](#) [12084688](#) [12092346](#) [HD34-18-14PT](#)  
[HD46-24-23SN-059](#) [HDB36-24-16PN-059](#) [HDP26-24-9SE-L015](#) [12185280](#) [12185550](#) [12336-12](#) [12191172-B](#) [12S](#) [13545280](#) [13577943](#)  
[13681974](#) [13737722-B](#) [13830674](#) [13832576](#) [13849772](#) [13542772](#)