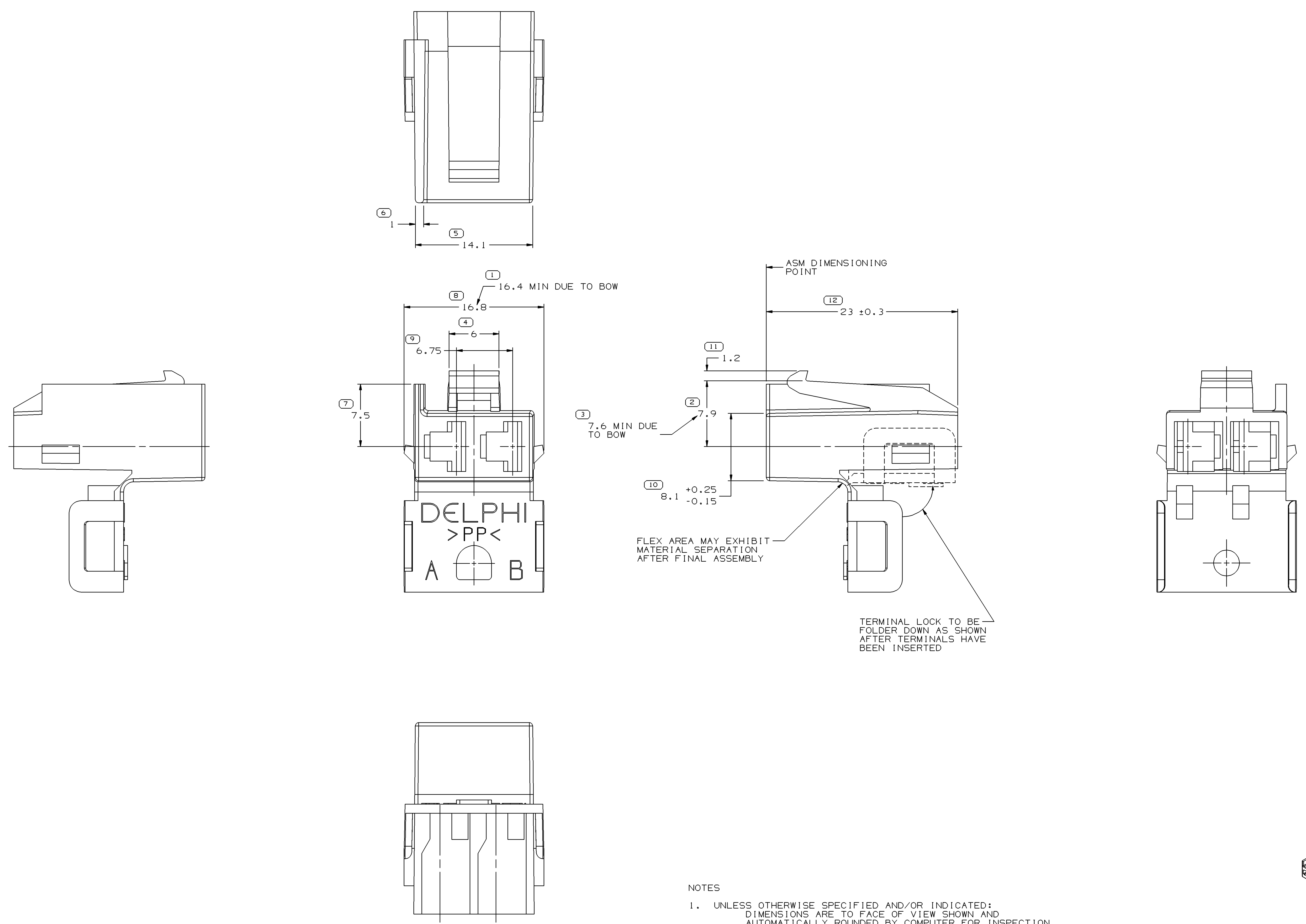


SYMBOL DEFINITION		MISSING SYMBOLS	
A DIMENSION WITHOUT AN INSPECTION REPORT SYMBOL DOES NOT REQUIRE INSPECTION. IT MAY BE CONTROLLED ON THE INDIVIDUAL COMPONENT DRAWING.	TOTAL NO OF INSPECTIONS REQUIRED	NO MISSING SYMBOL NUMBER	
	12		
	LAST NO. USED		
	12		

DWO STATUS					REVISION HISTORY			AUTH	DR	APVD	APVD
DATE	STG	REV	W/P	CHK	ZONE						
01AUG03	R	B2	-	-		REDRAWN TO PD AND ADDED NOTE	243462	CMZ	BEG	JH	
12AUG03	R	03	-	-		MAT'L SPEC WAS R-63783 (POLYP-GRN)	244329	BEG	BEG	ET	



- NOTES
- UNLESS OTHERWISE SPECIFIED AND/OR INDICATED: DIMENSIONS ARE TO FACE OF VIEW SHOWN AND AUTOMATICALLY ROUNDED BY COMPUTER FOR INSPECTION (SEE MATH MODEL FOR PRECISE DIMENSIONS). FOR ALL OTHER DIMENSIONS NOT SHOWN BUT REQUIRED FOR TOOL BUILD, SEE MATH MODEL FOR PRECISE TOOL PATH DATA.
 - MATERIAL RECYCLING CODE >PP< PER SAE J1344. (1.6)(X)(0.1) RAISED CHARACTERS AS SHOWN TO BE LOCATED ON ANY EXTERIOR SURFACE. OPTIONAL CONSTRUCTION TO BE NO MATERIAL RECYCLING CODE.
 - MATING COMPONENTS OR EQUIVALENT:
CONNECTOR 12059549
 - THIS PART ACCEPTS THE FOLLOWING COMPONENTS OR EQUIVALENT:
CAVITIES TO ACCEPT 12015828 TERMINAL OR EQUIVALENT.
 - (2.3)(X)(0.1) RAISED DELPHI CORPORATE BRAND TO BE LOCATED ON ANY EXTERIOR SURFACE, PREFERABLY VISIBLE AT FINAL ASSEMBLY. OPTIONAL CONSTRUCTION TO BE "PED" OR NO LOGO.
 - SEE P/N 15475296 FOR MATING INFORMATION DRAWING.

DWO TYPE		PART DRAWING	
STYLE	1.751	DISTR CODE	D
VOLUME (COP)	6900,6901		
ROUTING			

DELPHI
DELPHI PACKARD ELECTRIC SYSTEMS
WARREN, OH

DR	DATE
APVD1 DAVID M. GATHER	19FEB2
APVD2 D. THIRY	30MRB2
APVD3 W. CROSS	30MRB2
APVD4	
APVD5	

SUBSTANCES OF CONCERN AND RECYCLED CONTENT PER DELPHI 10949001

MATERIAL M2097007 PP 1M GRN

DRAWING NAME
CONN 2 F M/P 480 GRN

DRAWING NUMBER
12033700

SIZE A0 SCALE 5:1 FRAME NO 1 OF 1 SHEET NO 1 OF 1 STG REV W/P

DIMENSIONAL RANGE (MM)		CHART ET	
FROM	TO	FROM	TO
> 0	> 20	> 0	> 300
> 20	> 30	> 30	> 400
> 30	> 70	> 400	> 500
> 70	> 100	> 500	> 600
> 100	> 150	> 600	> 700
> 150	> 200	> 700	> 800
> 200	> 250	> 800	> 900
> 250	> 300	> 900	> 1000
> 300	> 400		

UNLESS OTHERWISE SPECIFIED

THIS DOCUMENT IS IN ACCORDANCE WITH ASME Y14.5M-1994 AS AMENDED BY THE DIMENSIONING AND TOLERANCING ADDENDUM-2003. SEPARATE PATTERNING OF FEATURES MAY BE GIVEN SEPARATELY REGARDLESS OF DATUM.

ALL DIMENSIONS ARE IN MILLIMETERS

REFERENCE

THIRD ANGLE PROJECTION

DO NOT SCALE

USE MATH DATA

SHARP CORNER TOLERANCE

R 0.1 MAX

R 0.2 MAX

ANGULAR TOLERANCE 12°

X-ON Electronics

Largest Supplier of Electrical and Electronic Components

Click to view similar products for [Automotive Connectors](#) category:

Click to view products by [APTIV](#) manufacturer:

Other Similar products are found below :

[003-018-000](#) [60993906-B](#) [M902-2131](#) [M902-2161](#) [M902-2344](#) [72.330.1035.1](#) [73.353.4028.0](#) [F166900](#) [F358300-B](#) [F407400](#) [776880-1](#)
[827153-1](#) [8N1515-32-24P](#) [9-1326729-8](#) [925474-1](#) [928905-1](#) [964562-4](#) [968782-1](#) [98891-1012](#) [12004475-L](#) [12020308](#) [12041318-B](#)
[12052466](#) [12064869](#) [12015909](#) [1-21030-1](#) [12041254](#) [12041318](#) [12047946-B](#) [12110546-B](#) [12131792](#) [12084688](#) [12092346](#) [HD34-18-14PT](#)
[HD46-24-23SN-059](#) [HDB36-24-16PN-059](#) [HDP26-24-9SE-L015](#) [12185280](#) [12185550](#) [12336-12](#) [12191172-B](#) [12S](#) [13545280](#) [13577943](#)
[13681974](#) [13737722-B](#) [13830674](#) [13832576](#) [13849772](#) [13542772](#)