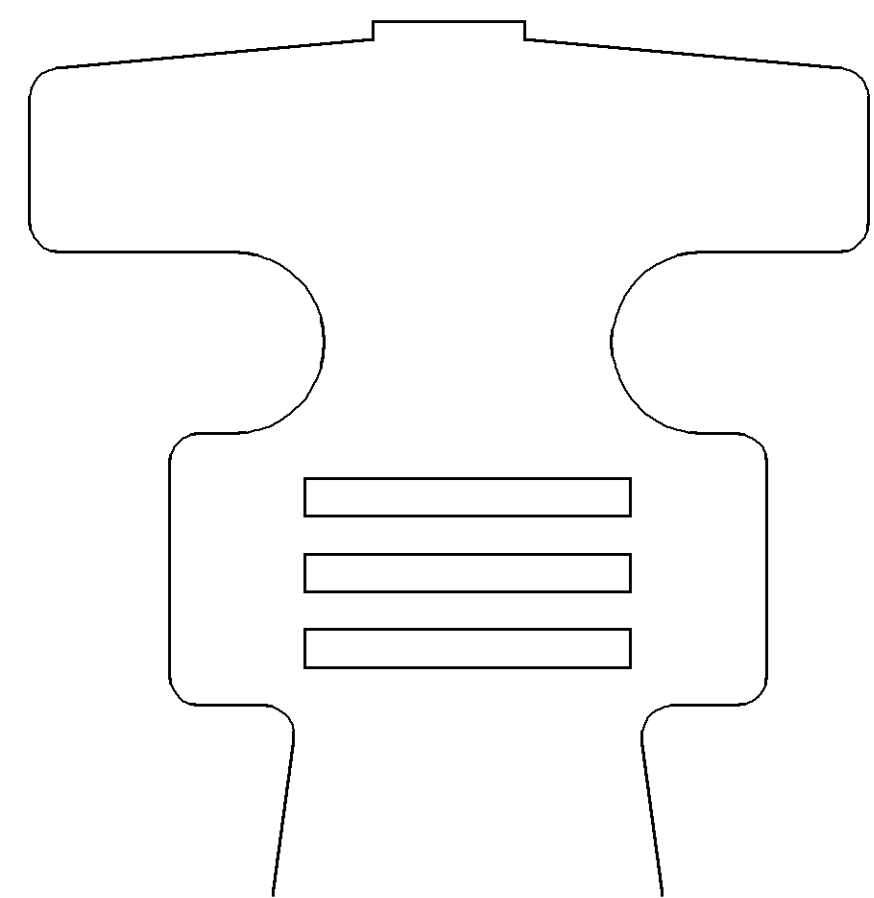
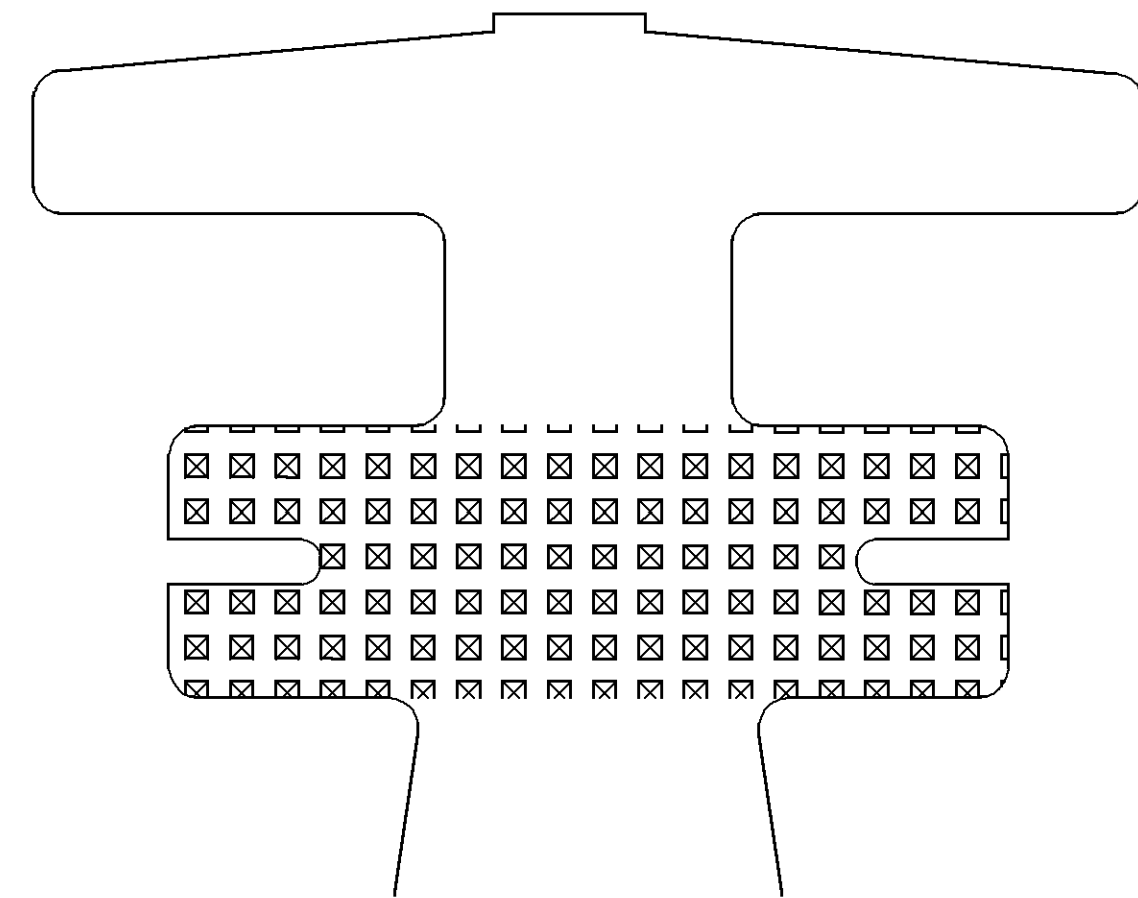


TYPE 101
SCALE 10:1

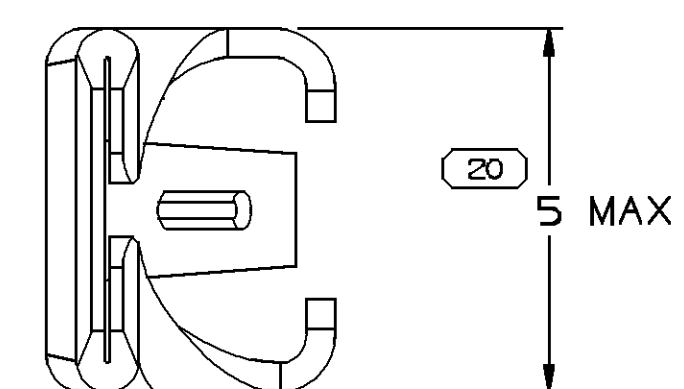


TYPE 102
SCALE 10:1

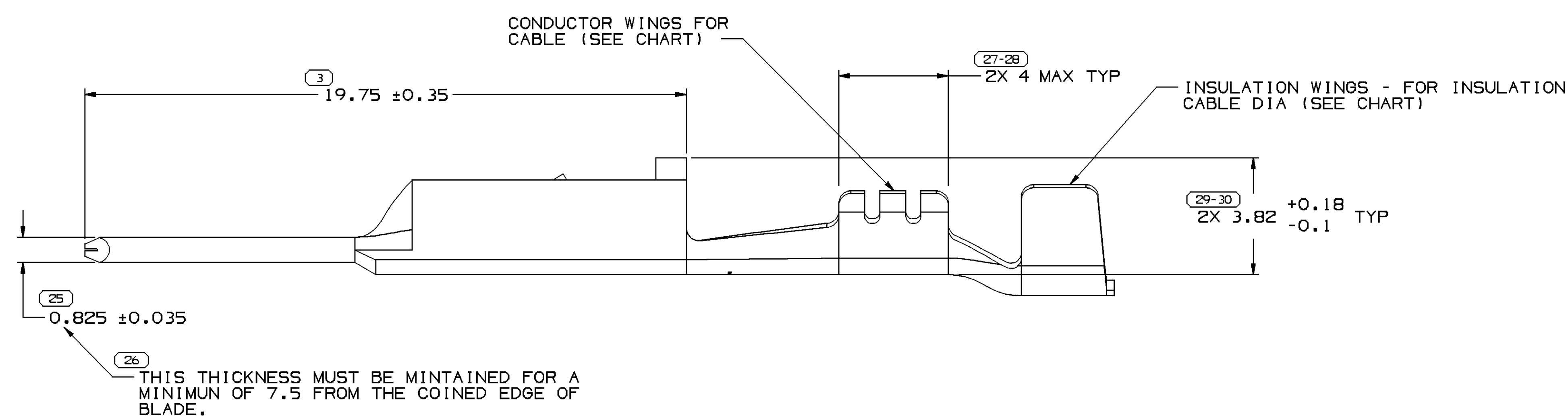
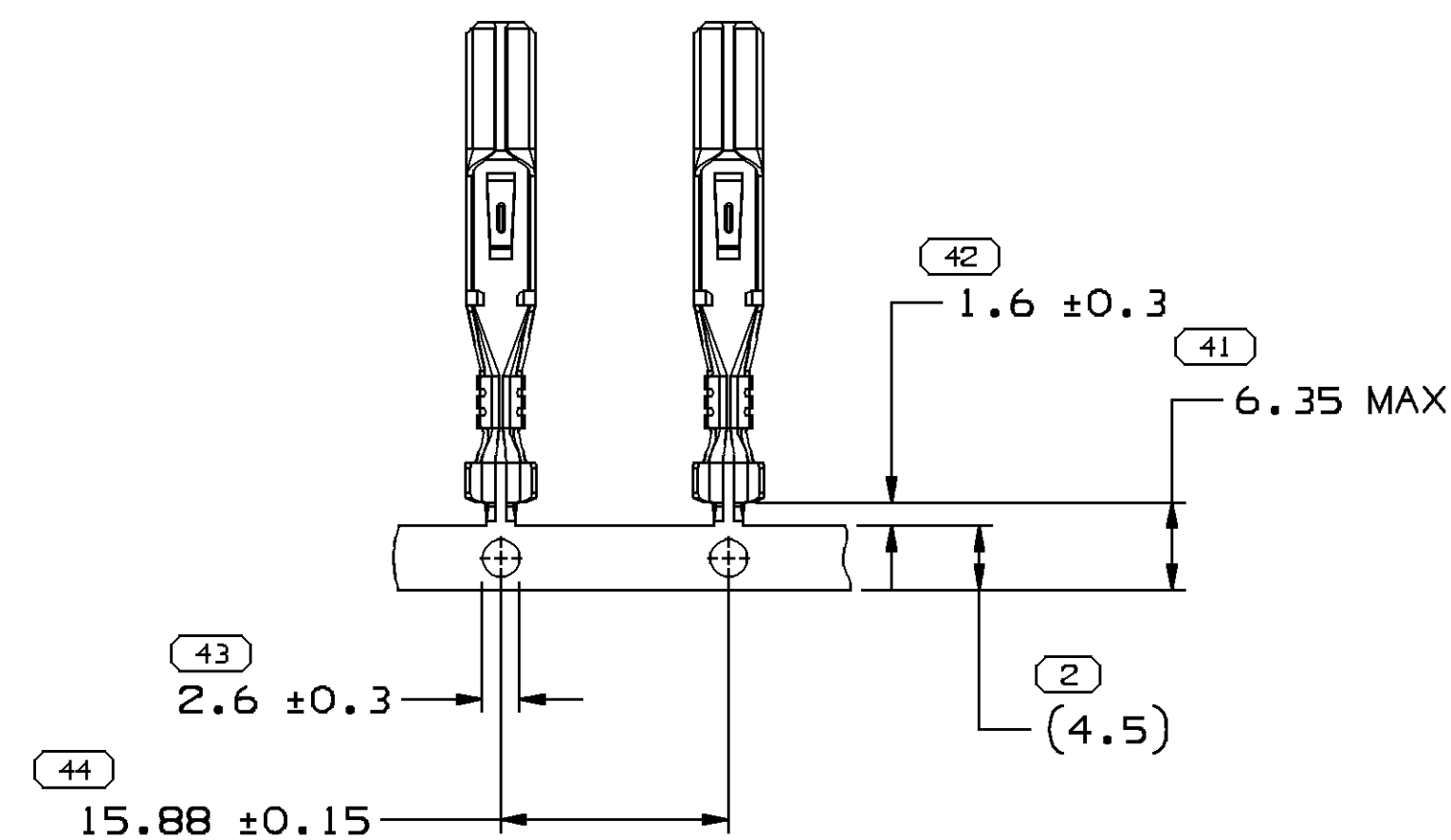
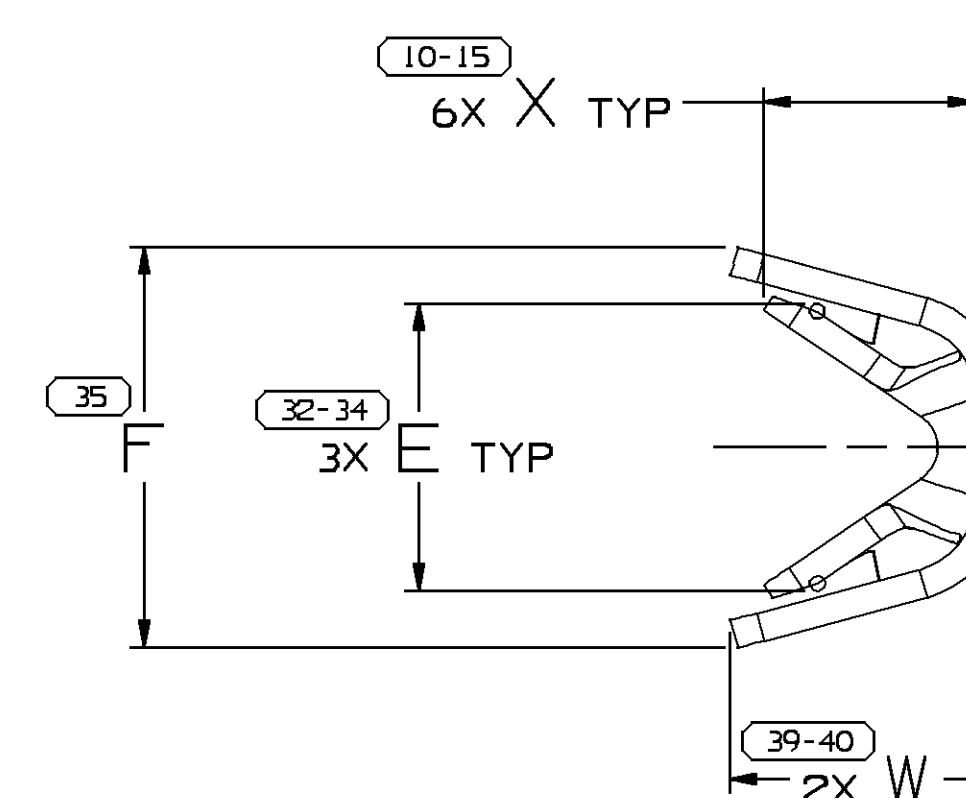
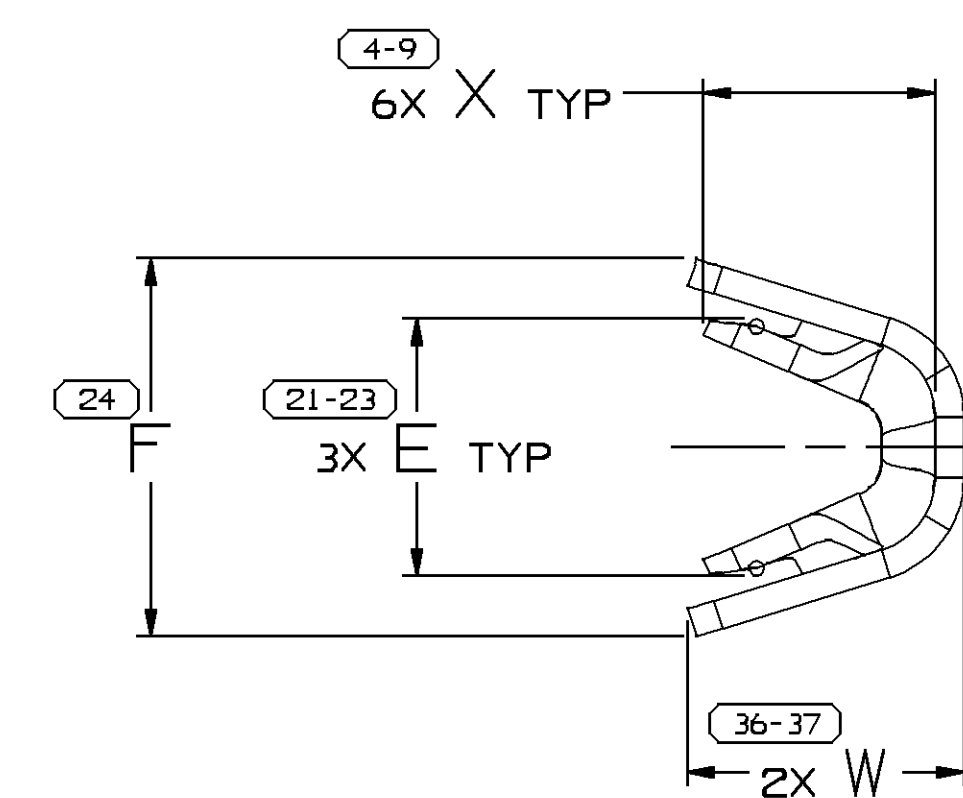
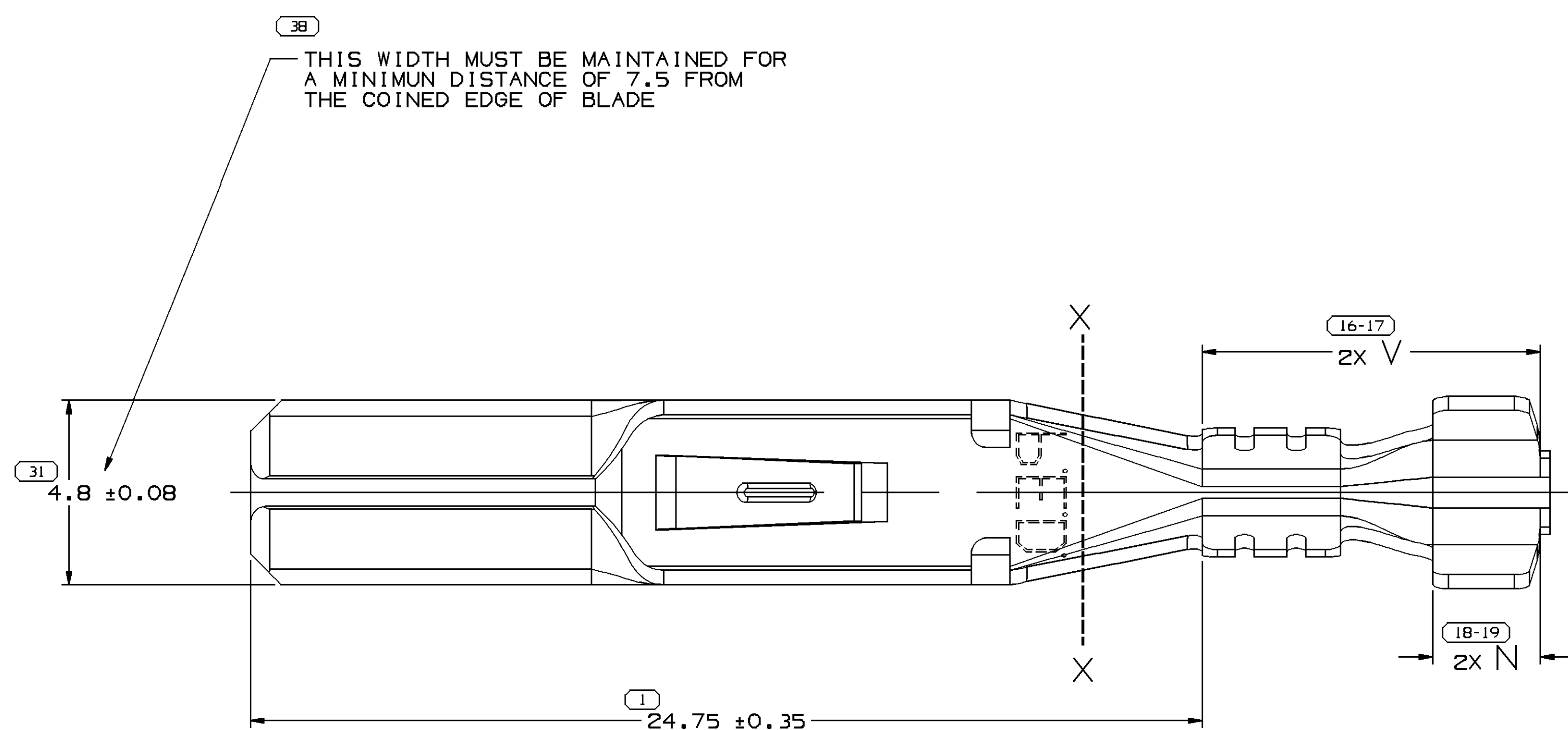


TYPE 103
SCALE 10:1

BLANK VIEWS



VIEW TO X-X



NOTES

- UNLESS OTHERWISE SPECIFIED AND/OR INDICATED: DIMENSIONS ARE TO FACE OF VIEW SHOWN AND AUTOMATICALLY ROUNDED BY COMPUTER FOR INSPECTION (SEE MATH MODEL FOR PRECISE DIMENSIONS). FOR ALL OTHER DIMENSIONS NOT SHOWN BUT REQUIRED FOR TOOL BUILD, SEE MATH MODEL FOR PRECISE TOOL PATH DATA.
- MATING COMPONENTS OR EQUIVALENT: TERMINAL 12015828

PART NO	REV N/P	STATUS	MAT'L SIZE	MAT'L SPEC	PART NO	REV N/P	STATUS	MAT'L SPEC	SIZE (MM²)	ID	DIA	TYPE	E _{10.4}	F _{10.4}	N _{10.15}	V _{10.3}	(W)	(X)	
			0.381 - 42.47		12066269	B4	-	M3617336	0.5-0.35	21	2.2-1.3	101	2.4±0.2	3.8±0.2	2.8	8.7	3.1	2.4	
			0.381 - 42.47		12052827	E4	-	M3617336	3	12	3.2-3.04	103	4.6	6	2.4	8.7	4.6	4.2	
			0.381 - 42.47		12033820	F4	-	M3617336	5 - 3	11	5.24-3.49	103	4.6	7.6	2.4	8.6	5.6	4.6	
			0.381 - 42.47		12020784	E3	-	M3617336	TWO 0.35	222	2-1.35	101	3.6±0.2	5.3	2.8	8.7	-	-	
			0.381 - 42.47		12020783	D	- OBSOLETE	F1403336	0.35	22	2-1.35	101	2.2±0.2	3.6	2.8	-	-	-	
			0.381 - 42.47		12020123	B	- OBSOLETE	F1403336	TWO 3	212	4.67-3.49	102	6.6	8.6	2.8	-	-	-	
			0.381 - 42.47		12020122	C	- OBSOLETE	F1403336	TWO 1	216	2.68-2.48	102	6.6	7.6	2.8	-	-	-	
			0.381 - 42.47		12020121	C	- OBSOLETE	F1403336	5 - 3	11	5.24-3.49	103	4.6	7.6	2.4	-	-	-	
			0.381 - 42.47		12020120	D4	- OBSOLETE	F1403336	2 - 1	15	3.97-2.48	102	3.7	6	2.8	8.7	4.3	3.4	
12020392	B	- OBSOLETE	0.381 - 42.47	PM001403 336	12020119	G4	-	M3617336	0.8-0.5	19	3.12-2.03	101	3.2	5	2.8	8.7	3.5	2.8	
12020393	E	- OBSOLETE	0.381 - 42.47	PM001403 336															

SYMBOL DEFINITION				MISSING NUMBERS	
THE NUMBER INSIDE THE SYMBOL () CORRESPONDS TO THE NUMBER ON THE INSPECTION REPORT FOR THIS DRAWING/PART NUMBER	TOTAL NO. OF SYMBOLS ON DRAWING	24			
	LAST NO. USED	44			

DWG STATUS				REVISION HISTORY				AUTH			
DATE	STG	REV	N/P	CHG	ZONE				DR	APVD	APVD 2
29MR00	R	01	-	-		ALL ACTIVE PARTS - WAS SEPARATE DWGS. 3.82 ± 0.18 ± 0.1 WAS 3.82 ± 0.1. ADDED 24.75 ± 0.35, REMOVED 33.4 REF. REVISED V, N & 1.6 ± 0.3 DIM. 12020784 - REVISED E TOL	196857	6E0	RCH	JH	
10MY01	R	02	-	-		ALL ACTIVE PARTS - 2.6 ± 0.3 WAS 2 ± 0.3	209338	JYD	EBR	JH	
21OC02	R	03	-	-		ALL ACTIVE PARTS - MAT'L SPEC WAS P3607336, ADDED 4.04 ± 0.7-2.69 & NOTE	231661	EAR	EAR	JH	
21OC02	R	04	-	-		ALL ACTIVE PARTS - 3.2B ± 0.1-1.93 WAS 4.04 ± 0.7-2.69	232037	EAR	EAR	JH	
09DE03	R	05	-	-		ALL ACTIVE PARTS - RENEWED REV 02 STATUS	248617	MJM	MJM	BO	
19AP07	R	06	-	-		ALL ACTIVE PARTS - ADDED CRIMP WING VIEWS AND UPDATED MAT'L SPEC	400958	END	END	BOG	

PART DRAWING	
STYLE	D
VOLUME 10/11	DISTR CODE
UNLESS OTHERWISE SPECIFIED THIS DOCUMENT IS IN ACCORDANCE WITH ASME Y14.5M-1994 AS MODIFIED BY THE IN-SOURCE DIMENSIONING AND TOLERANCE PRACTICES. SEPARATE WRITINGS OF DIMENSIONS MAY BE BASED SEPARATELY PERmissible OF DIMENSION REFERENCES.	
ALL DIMENSIONS ARE IN MILLIMETERS	
THIRD ANGLE PROJECTION	DO NOT SCALE USE MATH DATA

DELPHI
DELPHI PACKARD ELECTRICAL/ELECTRONIC ARCHITECTURE
WARREN, OH

DR	DATE
APV01 G. ESTRADA	29MR00
APV02 R. CHACON	27JN00
APV03 J. HORIUCHI	27JN00
APV04	
APV05	

SUBSTANCES OF CONCERN AND RECYCLED CONTENT PER DELPHI 10949001

DRAWING NAME
TAXI TERM M/M/P 480 TANG

DRAWING NUMBER
12020118

SIZE	SCALE	FRAME NO	SHEET NO	REV	N/P
A0	10:1	1	1	1	06

X-ON Electronics

Largest Supplier of Electrical and Electronic Components

Click to view similar products for [Automotive Connectors](#) category:

Click to view products by [APTIV](#) manufacturer:

Other Similar products are found below :

[003-018-000](#) [60403001](#) [60993906-B](#) [629515004020001](#) [M902-2131](#) [M902-2161](#) [72.330.1035.1](#) [73.353.4028.0](#) [F119300-B](#) [F166900](#)
[F258300-B](#) [F358300-B](#) [F407400](#) [F444110](#) [F487000](#) [F509500B-B](#) [827153-1](#) [8N1515-32-24P](#) [9-1326729-8](#) [925474-1](#) [928905-1](#) [964562-4](#)
[968782-1](#) [GT17SA-8DS-HU](#) [98891-1012](#) [98947-1016](#) [12004475-L](#) [12010290](#) [12010309-B](#) [12015454](#) [12020219-B](#) [12020308](#) [12041318-B](#)
[12052225-L](#) [12052466](#) [12059125](#) [12064869](#) [12004327-B](#) [12010503-B](#) [12015308](#) [12015384](#) [12015909](#) [1-21030-1](#) [12041254](#) [12041318](#)
[12047946-B](#) [12047957](#) [12047957-L](#) [12059473](#) [12066261](#)