
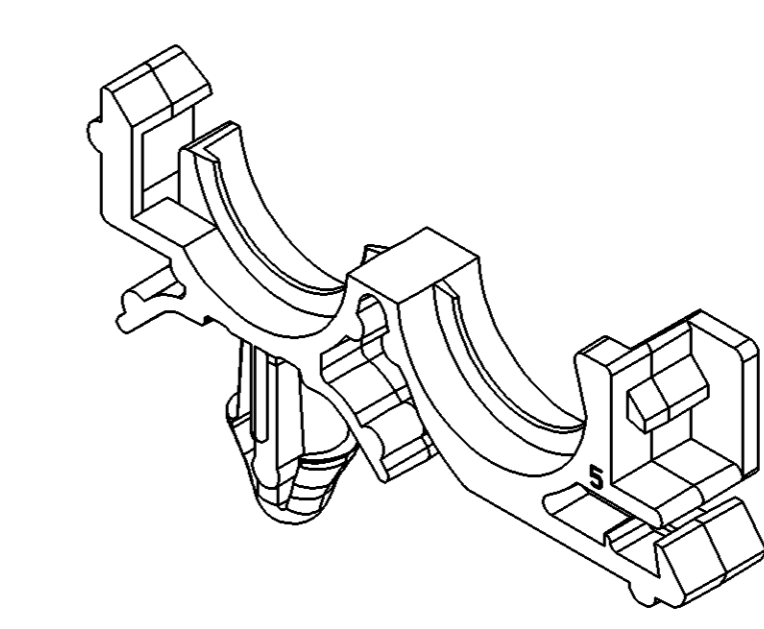
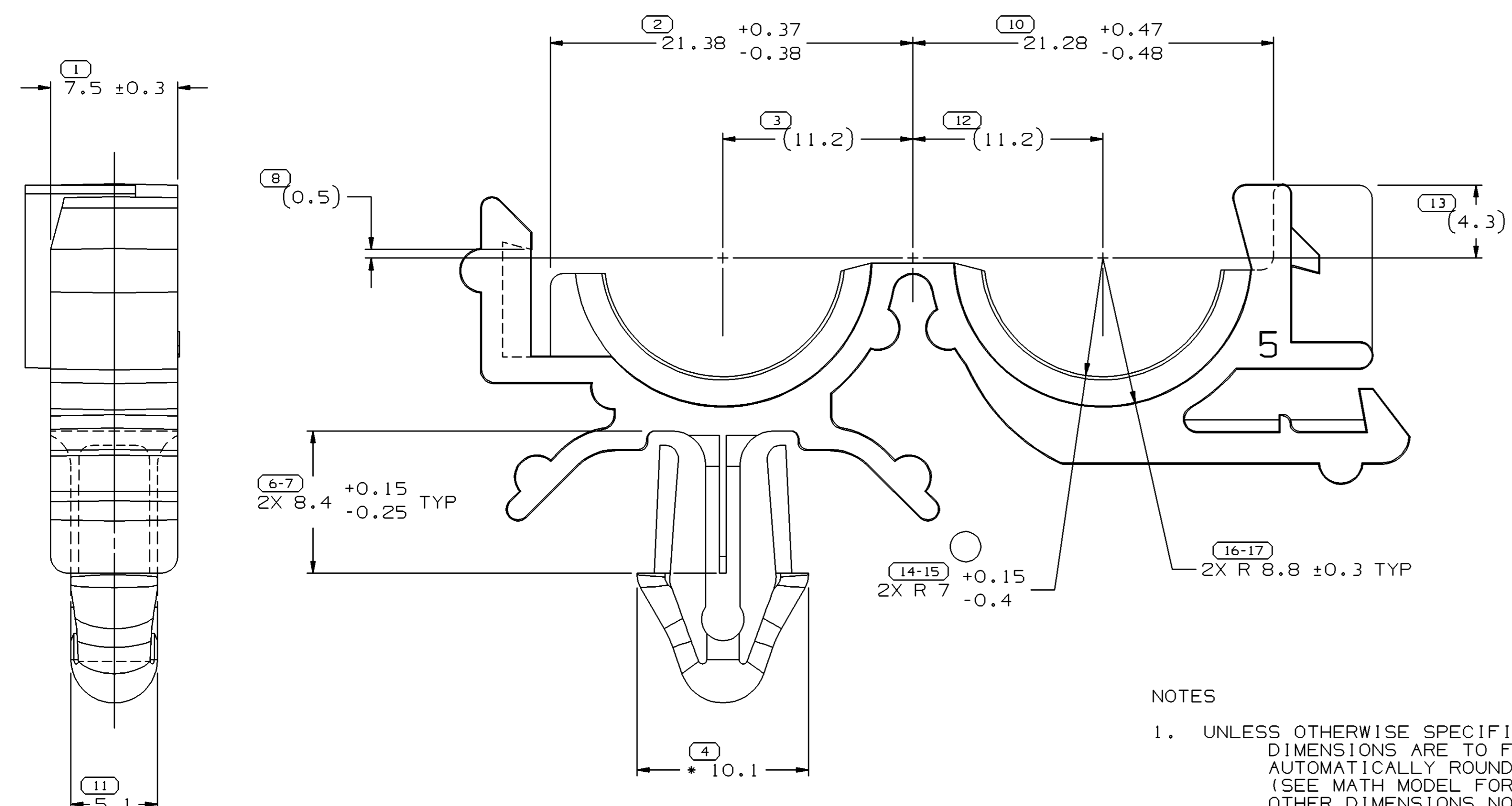
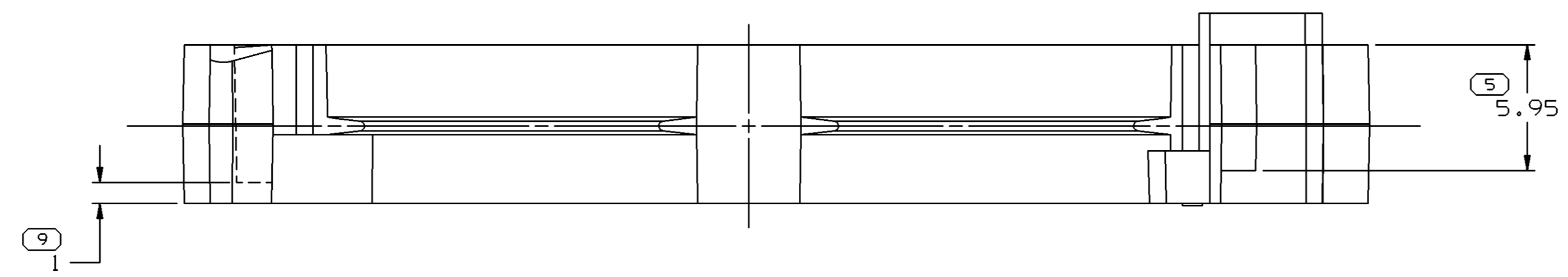


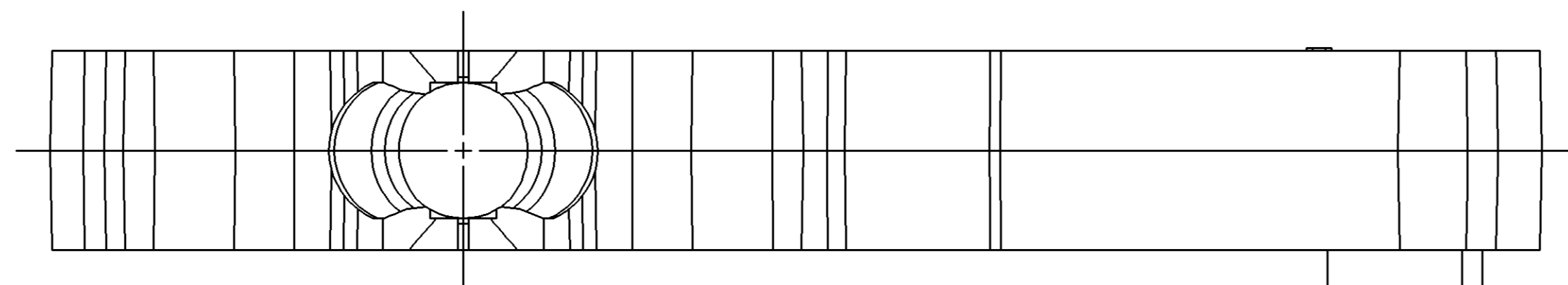
| SYMBOL DEFINITION | | MISSING NUMBERS | |
|---|---------------------------------|-----------------|--|
| A DIMENSION WITHOUT AN INSPECTION REPORT SYMBOL  DOES NOT REQUIRE INSPECTION. IT MAY BE CONTROLLED ON AN INDIVIDUAL COMPONENT DRAWING. | TOTAL NO. OF SYMBOLS ON DRAWING | 14 | |
| | LAST NO. USED | 17 | |

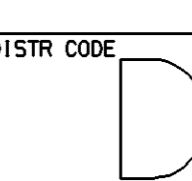

| DWG STATUS | | | | | ZONE | REVISION HISTORY | AUTH | DR | APVD1 | APVD2 |
|------------|-----|-----|-----|-----|------|---|--------|-----|-------|-------|
| DATE | STG | REV | N/P | CHG | | | | | | |
| 225E00 | R | C2 | - | - | | CLEARED REV COLUMN: REDRAWN TO PD, REVISED DIMENSING AND ADDED NOTE 4 | 201369 | AMG | FRG | |
| 25N003 | R | C3 | - | - | | 2X R7+0.15-0.4 WAS 2X R7 AND MAT'L SPEC WAS R0061354 | 249147 | TLD | TLD | PMJ |



VIEW SCALE DOES NOT REFLECT ACTUAL PART SIZE

- NOTES
- UNLESS OTHERWISE SPECIFIED AND/OR INDICATED: DIMENSIONS ARE TO FACE OF VIEW SHOWN AND AUTOMATICALLY ROUNDED BY COMPUTER FOR INSPECTION (SEE MATH MODEL FOR PRECISE DIMENSIONS). FOR ALL OTHER DIMENSIONS NOT SHOWN BUT REQUIRED FOR TOOL BUILD, SEE MATH MODEL FOR PRECISE TOOL PATH DATA.
 - RECOMMENDED HOLE SIZE FOR CLIP 6.6/6.1 DIA HOLE IN 3.15 MIN TO 6.3 MAX THICK STOCK.
 - THIS PART TO FIT 13 I.D. CONVOLUTED CONDUIT.
 - DIMENSION MARKED WITH * MAY VARY -0.6 DUE TO BOW.



| | | | |
|--|-----------|---|------|
| DWG TYPE | | PART DRAWING | |
| STYLE | | DISTR CODE | |
| VOLUME (CM ³) | 2.230 |  | |
| ROUTING | 6900,6901 | | |
| UNLESS OTHERWISE SPECIFIED | | | |
| THIS DOCUMENT IS IN ACCORDANCE WITH ASME Y14.5M-1994 AS AMENDED BY THE GM GLOBAL DIMENSIONING AND TOLERANCING ADDENDUM-2001. SEPARATE PATTERNS OF FEATURES MAY BE GAGED SEPARATELY REGARDLESS OF DATUM REFERENCES. | | | |
| ALL DIMENSIONS ARE IN MILLIMETERS | | | |
| REFERENCE | | | |
| THIRD ANGLE PROJECTION | | | |
| DO NOT SCALE | |  | |
| USE MATH DATA | | | |
| DIMENSIONAL RANGE (MM) | | CHART E | |
| FROM | 0 | > 20 | > 30 |
| TO | 20 | 30 | 70 |
| TOLERANCE UNLESS OTHERWISE SPECIFIED | | ±0.15 ±0.2 ±0.3 ±0.4 ±0.5 | |
| ANGULAR TOLERANCE | | ±2° | |

DELPHI
DELPHI PACKARD ELECTRIC SYSTEMS
WARREN, OH

| | |
|---------------------|--------|
| DR | DATE |
| APVD1 RONALD KINOLT | 085E82 |
| APVD2 O.E. SHERY | 295E82 |
| APVD3 KEN GERM | 295E82 |
| APVD4 | |
| APVD5 | |

SUBSTANCES OF CONCERN AND RECYCLED CONTENT PER DELPHI 10949001

MATERIAL
M0661002 PP BLK

DRAWING NAME
MOUN CLIP 6.35 CDT

DRAWING NUMBER
12034281

| | | | | | | |
|------|-------|----------|----------|-----|-----|-----|
| SIZE | SCALE | FRAME NO | SHEET NO | STG | REV | N/P |
| A1 | 5:1 | 1 OF 1 | 1 OF 1 | R | C3 | - |

X-ON Electronics

Largest Supplier of Electrical and Electronic Components

Click to view similar products for [Automotive Connectors](#) category:

Click to view products by [APTIV](#) manufacturer:

Other Similar products are found below :

[003-018-000](#) [60403001](#) [60993906-B](#) [629515004020001](#) [M902-2131](#) [M902-2161](#) [72.330.1035.1](#) [73.353.4028.0](#) [F119300-B](#) [F166900](#)
[F258300-B](#) [F358300-B](#) [F407400](#) [F444110](#) [F487000](#) [F509500B-B](#) [827153-1](#) [8N1515-32-24P](#) [9-1326729-8](#) [925474-1](#) [928905-1](#) [964562-4](#)
[968782-1](#) [GT17SA-8DS-HU](#) [98891-1012](#) [98947-1016](#) [12004475-L](#) [12010290](#) [12010309-B](#) [12015454](#) [12020219-B](#) [12020308](#) [12041318-B](#)
[12052225-L](#) [12052466](#) [12059125](#) [12064869](#) [12004327-B](#) [12010503-B](#) [12015308](#) [12015384](#) [12015909](#) [1-21030-1](#) [12041254](#) [12041318](#)
[12047946-B](#) [12047957](#) [12047957-L](#) [12059473](#) [12066261](#)