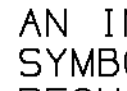
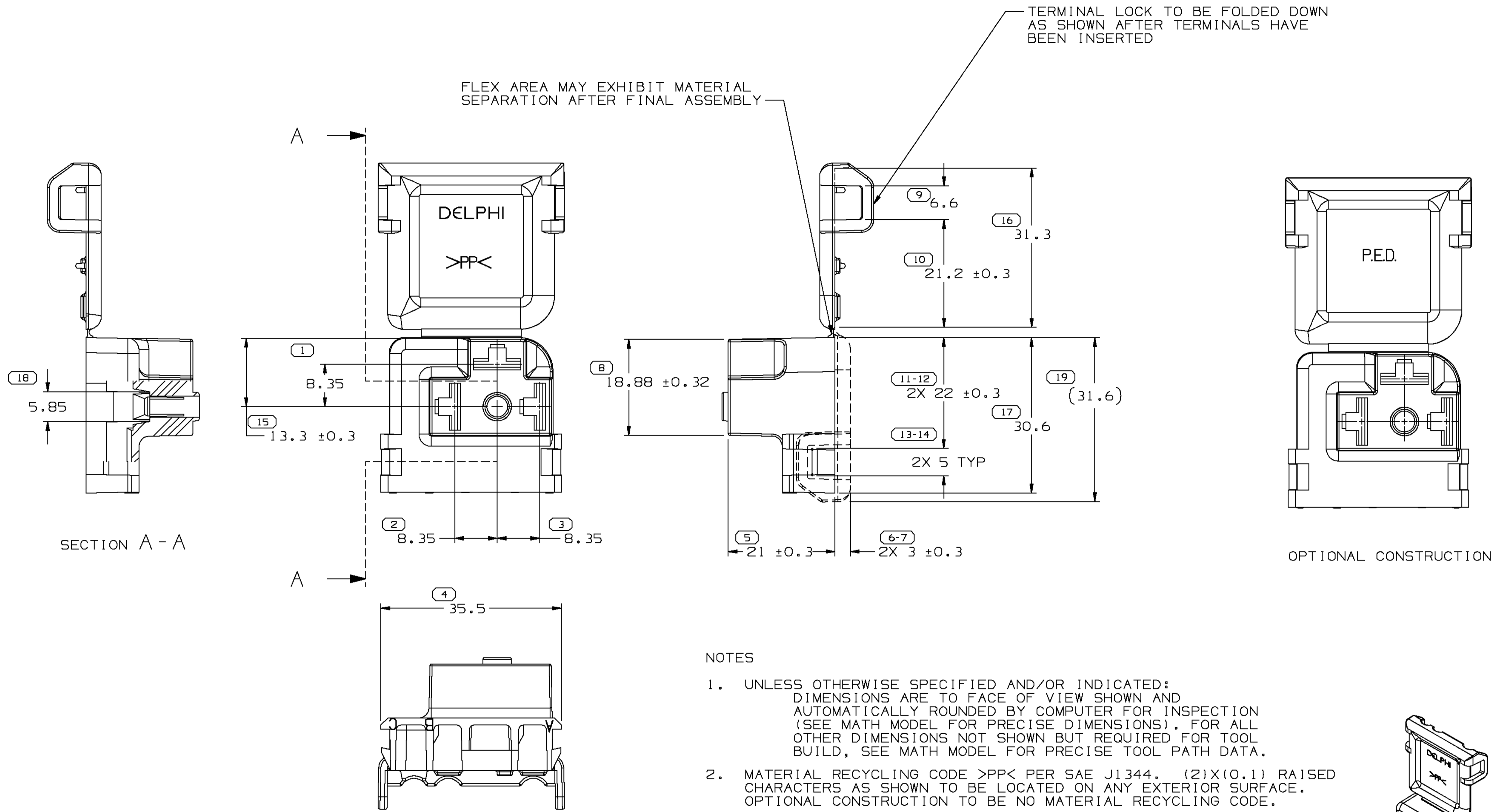


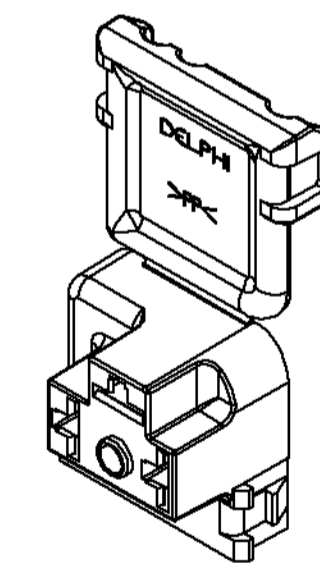
SYMBOL DEFINITION		MISSING NUMBERS	
A DIMENSION WITHOUT AN INSPECTION REPORT SYMBOL  DOES NOT REQUIRE INSPECTION. IT MAY BE CONTROLLED ON AN INDIVIDUAL COMPONENT DRAWING.	TOTAL NO. OF SYMBOLS ON DRAWING	16	
	LAST NO. USED	19	

DWG STATUS					ZONE	REVISION HISTORY	AUTH	DR	APVD 1	APVD 2
DATE	STG	REV	N/P	CHG						
09MY01	R	A3	-			REVISED NOTES 2 & 6	209394	LEG	GEG	JH
09AP03	R	02	-			MAT'L SPEC WAS M2214001 AND REVISED GRAPHICS	239414	LFS	RVP	JH



NOTES

- UNLESS OTHERWISE SPECIFIED AND/OR INDICATED: DIMENSIONS ARE TO FACE OF VIEW SHOWN AND AUTOMATICALLY ROUNDED BY COMPUTER FOR INSPECTION (SEE MATH MODEL FOR PRECISE DIMENSIONS). FOR ALL OTHER DIMENSIONS NOT SHOWN BUT REQUIRED FOR TOOL BUILD, SEE MATH MODEL FOR PRECISE TOOL PATH DATA.
- MATERIAL RECYCLING CODE >PP< PER SAE J1344. (2)(X)(0.1) RAISED CHARACTERS AS SHOWN TO BE LOCATED ON ANY EXTERIOR SURFACE. OPTIONAL CONSTRUCTION TO BE NO MATERIAL RECYCLING CODE.
- THIS PART ACCEPTS THE FOLLOWING COMPONENTS OR EQUIVALENT: TERMINAL 12020536 (MAX DOUBLE CABLE APPLICATION OF 3.05 MM DIA PER CABLE OR 6.1MM TOTAL FOR BOTH CABLE DIAMETERS).
- THIS CONNECTOR TO ACCEPT 3.8 O.D. FIBER OPTIC EYELET.
- THIS CONNECTOR TO BE USED WITH 2B1 TYPE HEADLAMP ASSEMBLIES ONLY. REFERENCE GUIDE LAMP ASSEMBLIES 5968097 & 5972850 OR EQUIVALENT. 2B1 TYPE HEADLAMPS ARE FOR SINGLE HEADLAMP SYSTEMS.
- (2)(X)(0.1) RAISED DELPHI CORPORATE BRAND TO BE LOCATED ON ANY EXTERIOR SURFACE, PREFERABLY VISIBLE AT FINAL ASSEMBLY. OPTIONAL CONSTRUCTION TO BE "PED" OR NO LOGO.



DWG TYPE		PART DRAWING	
STYLE			
VOLUME (CM ³)	7.470	DISTR CODE	D
ROUTING	6900		
UNLESS OTHERWISE SPECIFIED			
THIS DOCUMENT IS IN ACCORDANCE WITH ASME Y14.5M-1994 AS AMENDED BY THE GM GLOBAL DIMENSIONING AND TOLERANCING ADDENDUM - 1997. ALL GEOMETRIC TOLERANCES AND RELATED DATUMS APPLY RFS. RULE #1 PERFECT FORM AT MMC DOES NOT APPLY WHEN RELATIONSHIP BETWEEN FEATURES IS ESTABLISHED BY ORIENTATION OR LOCATION TOLERANCES. SEPARATE POSITION CALLOUTS MAY BE GAGED SEPARATELY, REGARDLESS OF DATUM REFERENCE. ALL DIMENSIONS ARE IN MILLIMETERS			
REFERENCE			
THIRD ANGLE PROJECTION			
DO NOT SCALE			
USE MATH DATA			

DELPHI			
DELPHI PACKARD ELECTRIC SYSTEMS WARREN, OH			
DR	JOYCE HEBBERTS	DATE	04NOB2
APVD1	T. MUDREY		17NOB2
APVD2	E. M. BUNGO		19NOB2
APVD3	J. M. CHUPAK		19NOB2
APVD4			
APVD5			
SUBSTANCES OF CONCERN AND RECYCLED CONTENT PER DELPHI-A 10949001			
MATERIAL			
M2097001 PP 1M BLK			
DRAWING NAME			
CONN 3 F M/P 800 BLK			
DRAWING NUMBER			
12034372			
SIZE	A1	SCALE	2:1
FRAME NO	1 OF 1	SHEET NO	1 OF 1
STG	R	REV	02
N/P			

	DIMENSIONAL RANGE (MM)		CHART E1	
	FROM	TO	FROM	TO
	> 0	> 20	> 70	> 100
	20	30	100	150
	30	70	150	200
	70	100	200	250
	100	150	250	300
	150	200	300	400
TOLERANCE UNLESS OTHERWISE SPECIFIED				
	±0.15	±0.2	±0.3	±0.4
			±0.5	±0.6
			±0.8	±1
				±1.2
ANGULAR TOLERANCE ±2°				

X-ON Electronics

Largest Supplier of Electrical and Electronic Components

Click to view similar products for [Automotive Connectors](#) category:

Click to view products by [APTIV](#) manufacturer:

Other Similar products are found below :

[003-018-000](#) [60403001](#) [60993906-B](#) [629515004020001](#) [M902-2131](#) [M902-2161](#) [72.330.1035.1](#) [73.353.4028.0](#) [F119300-B](#) [F166900](#)
[F258300-B](#) [F358300-B](#) [F407400](#) [F444110](#) [F487000](#) [F509500B-B](#) [827153-1](#) [8N1515-32-24P](#) [9-1326729-8](#) [925474-1](#) [928905-1](#) [964562-4](#)
[968782-1](#) [GT17SA-8DS-HU](#) [98891-1012](#) [98947-1016](#) [12004475-L](#) [12010290](#) [12010309-B](#) [12015454](#) [12020219-B](#) [12020308](#) [12041318-B](#)
[12052225-L](#) [12052466](#) [12059125](#) [12064869](#) [12004327-B](#) [12010503-B](#) [12015308](#) [12015384](#) [12015909](#) [1-21030-1](#) [12041254](#) [12041318](#)
[12047946-B](#) [12047957](#) [12047957-L](#) [12059473](#) [12066261](#)