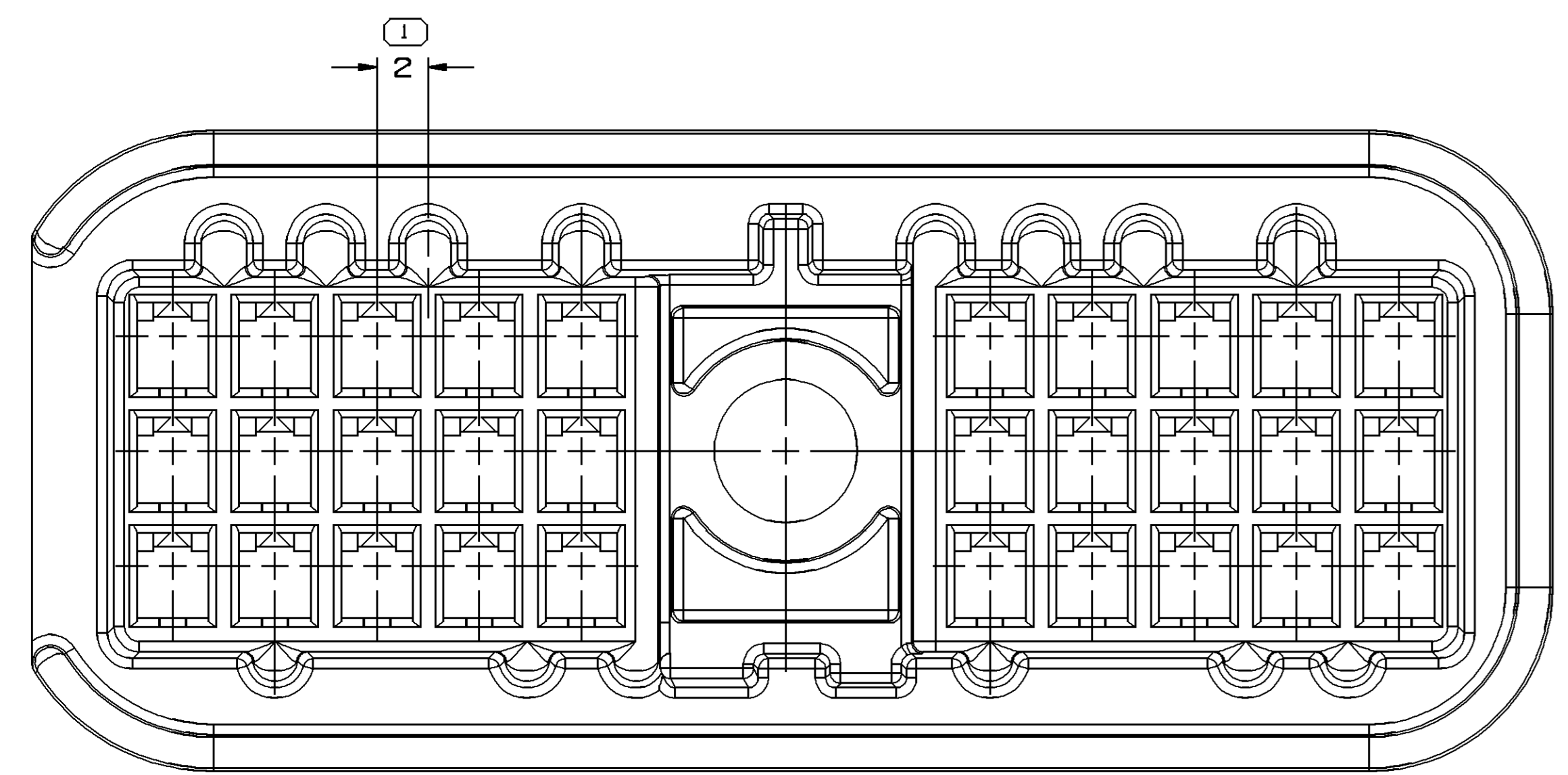
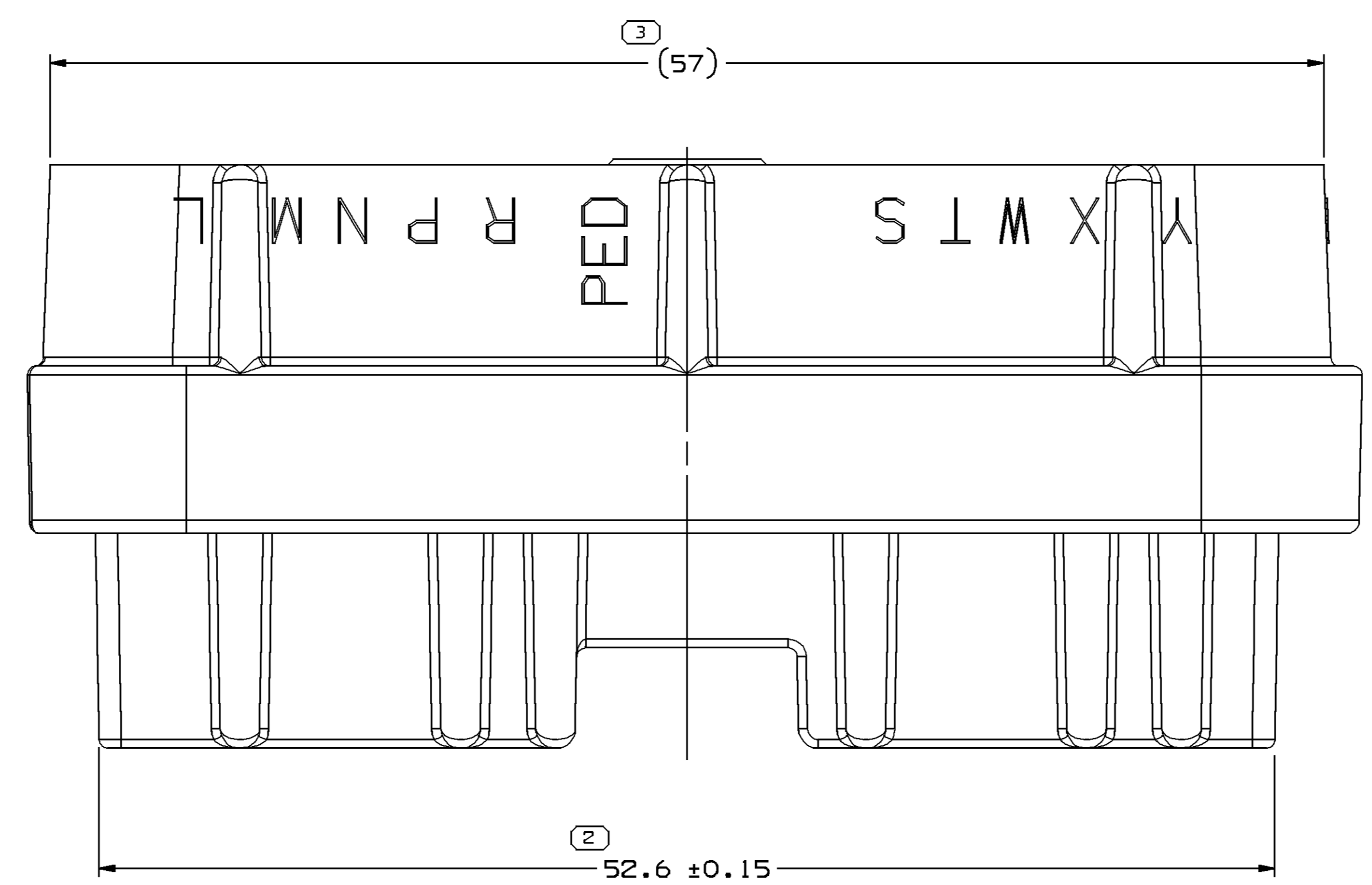
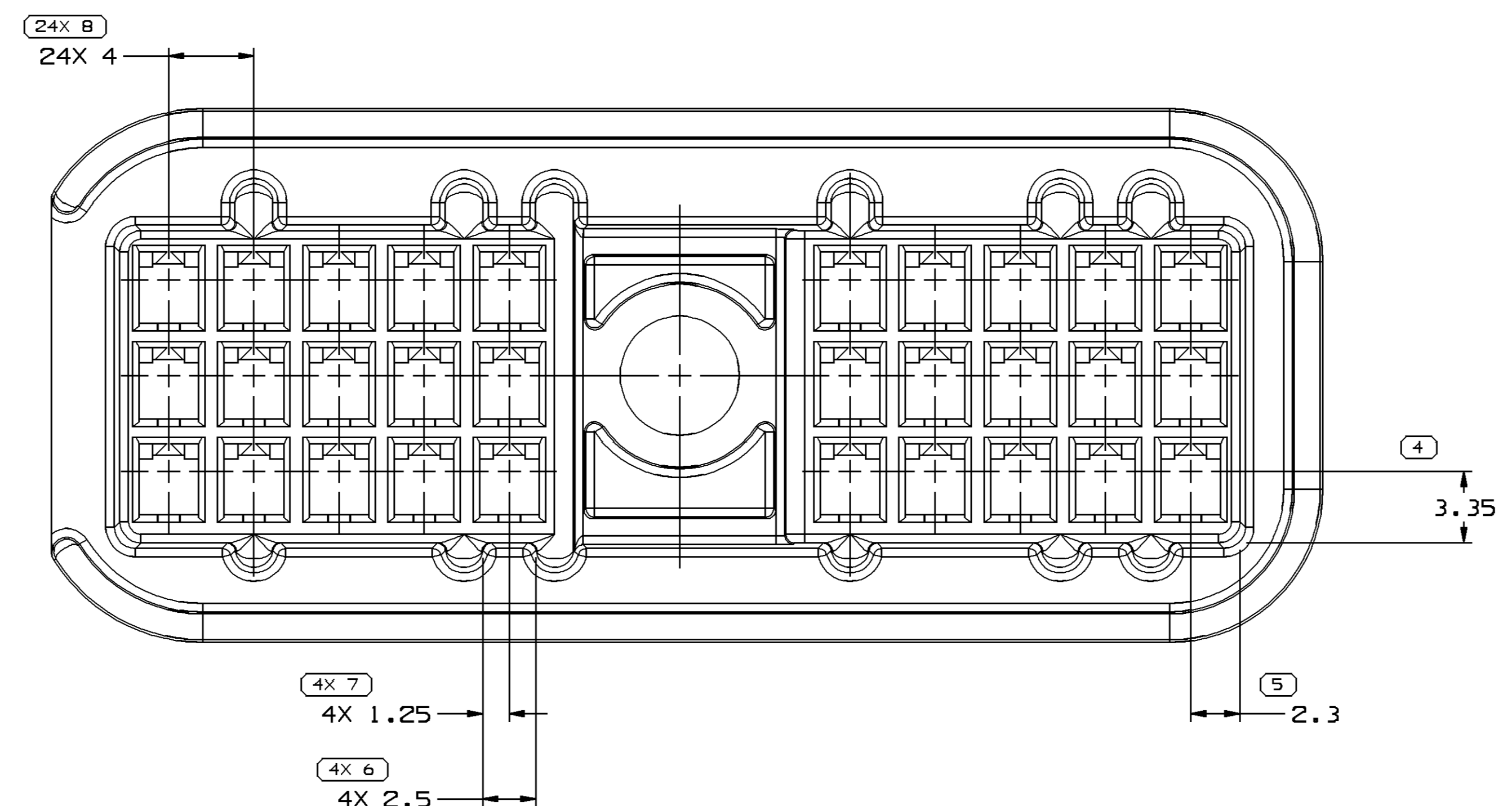


SYMBOL DEFINITION		TOTAL NO OF INSPECTIONS REQUIRED	38
A DIMENSION WITHOUT AN INSPECTION REPORT SYMBOL DOES NOT REQUIRE INSPECTION. IT MAY BE CONTROLLED ON THE INDIVIDUAL COMPONENT DRAWING.		LAST NO. USED	9

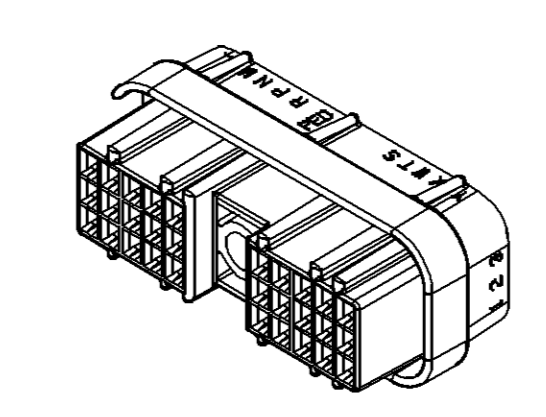
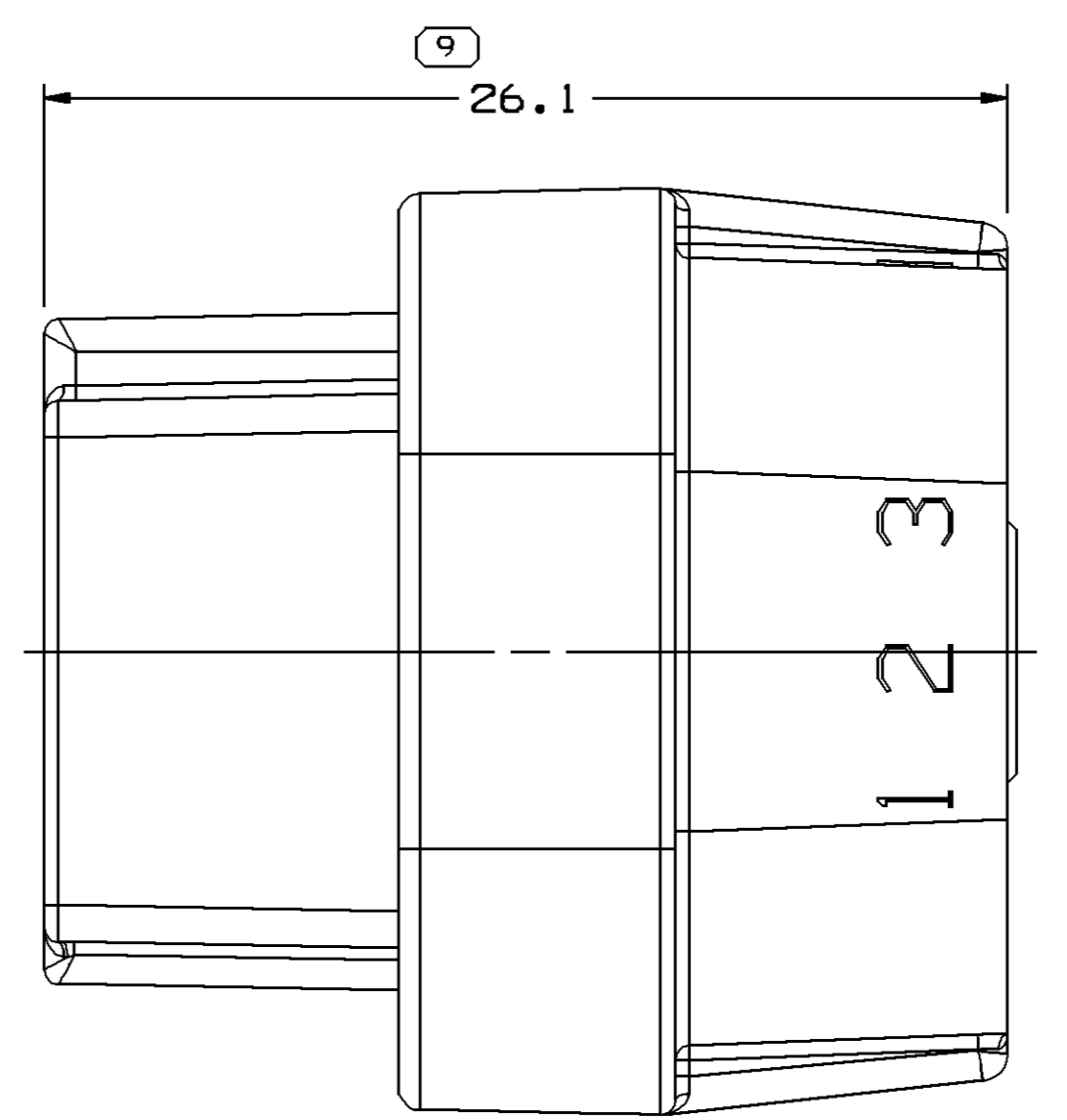
DWG STATUS				REVISION HISTORY				AUTH		DR		AP/VD	
DATE	STG	REV	N/P	CHG	ZONE	DESCRIPTION	DATE	BY	DATE	BY	DATE	BY	
12MR99	R	01	-	-	-	CLEARED REV COLUMN 1: ALL PARTS - REVISED	191594	HGH	CMP	JR	M		
						NOTE 3							
22SE04	R	03	-	-	-	PROCESS SENSITIVE DIMENSION WAS 4-27	258665	MJM	MJM	TM			
22AP05	R	04	-	-	-	ALL PARTS - REMOVED ASSEMBLY PART NUMBER FROM BASE CONNECTOR	267455	FRG	FRG	MGR			
23SE06	R	05	-	-	-	13603237 - RELEASED	284871	CCV	JAA	PYP			



TYPE 202  
SAME AS TYPE 201  
EXCEPT AS SHOWN



TYPE 201



NOTES

- UNLESS OTHERWISE SPECIFIED AND/OR INDICATED:  
DIMENSIONS ARE TO FACE OF VIEW SHOWN AND AUTOMATICALLY ROUNDED BY COMPUTER FOR INSPECTION (SEE MATH MODEL FOR PRECISE DIMENSIONS). FOR ALL OTHER DIMENSIONS NOT SHOWN BUT REQUIRED FOR TOOL BUILD, SEE MATH MODEL FOR PRECISE TOOL PATH DATA. LIKE CAVITIES ARE IDENTICAL.
- THIS PART IS NOT CONTROLLED FOR AUTOMATIC FEEDING.
- REFERENCE MATING COMPONENTS OR EQUIVALENT:  
CONNECTOR SEE CHART  
CABLE SEAL 12040879 (2 REQ'D)
- THIS PART ACCEPTS THE FOLLOWING COMPONENTS OR EQUIVALENT:  
CAVITIES TO ACCEPT 12047680 TERMINAL OR EQUIVALENT.  
CAVITIES TO ACCEPT MAX CABLE O.D. OF 2.4 MM  
BOLT 12034235  
RETAINER 12034236
- MATERIAL RECYCLING CODE PER ISO 11469. (2)X(0.1) RAISED CHARACTERS AS SHOWN TO BE LOCATED ON ANY EXTERIOR SURFACE. OPTIONAL CONSTRUCTION TO BE NO MATERIAL RECYCLING CODE.
- (2)X(0.1) RAISED DELPHI CORPORATE BRAND TO BE LOCATED ON ANY EXTERIOR SURFACE, PREFERABLY VISIBLE AT FINAL ASSEMBLY. OPTIONAL CONSTRUCTION TO BE "PED" OR NO LOGO.

PART NO	REV	N/P	STATUS	TYPE	MATERIAL SPECIFICATION AND COLOR	MATING CONN	VOL	CM <sup>3</sup>
13603237	01	-		202	M2270002 PET GF30 BLK	12034401	13.562	
12034405	F8	-		202	M2270001 PET GF30 NAT	12034401	13.562	
12034399	E6	-		201	M2270002 PET GF30 BLK	12034395	13.394	

DIMENSIONAL RANGE (MM)		CHART	ET
FROM	> 0	> 30	> 100
TO	20	70	100
	100	150	200
	200	250	300
	300	400	

DWG TYPE		PART DRAWING	
STYLE	SEE CHART	DISTR CODE	D
VOLUME (CM <sup>3</sup> )			

**DELPHI**  
DELPHI PACKARD ELECTRIC SYSTEMS  
WARREN, OH

DR	DATE
APV01 E. RODRIGUEZ	17 JUN 98
APV02 E. RODRIGUEZ	17 JUN 98
APV03 R. CHACON	08 JUL 98
APV04	
APV05	

UNLESS OTHERWISE SPECIFIED  
THIS DOCUMENT IS IN ACCORDANCE WITH ASME Y14.5M-1994  
AS MODIFIED BY THE IN-SOURCE DIMENSIONING AND  
TOLERANCE ADMINISTRATION (SDA) SEPARATE MATING OF  
FEATURES MAY BE BASED SEPARATELY PER ASSEMBLY OF DRAWING  
REFERENCES.

ALL DIMENSIONS ARE IN MILLIMETERS

THIRD ANGLE PROJECTION

DO NOT SCALE

USE MATH DATA

SCALE: 5:1

FRAME NO: 1 OF 1

SHEET NO: 2 OF 2

REV: R 05

DRAWING NUMBER: 12065539

DRAWING NAME: TAXI CONN F M/P 150 SLD

## X-ON Electronics

Largest Supplier of Electrical and Electronic Components

*Click to view similar products for [Automotive Connectors](#) category:*

*Click to view products by [APTIV](#) manufacturer:*

Other Similar products are found below :

[003-018-000](#) [60993906-B](#) [M902-2131](#) [M902-2161](#) [M902-2344](#) [72.330.1035.1](#) [73.353.4028.0](#) [F166900](#) [F358300-B](#) [F407400](#) [776880-1](#)  
[827153-1](#) [8N1515-32-24P](#) [9-1326729-8](#) [925474-1](#) [928905-1](#) [964562-4](#) [968782-1](#) [98891-1012](#) [12004475-L](#) [12020308](#) [12041318-B](#)  
[12052466](#) [12064869](#) [12015909](#) [1-21030-1](#) [12041254](#) [12041318](#) [12047946-B](#) [12110546-B](#) [12131792](#) [12084688](#) [12092346](#) [HD34-18-14PT](#)  
[HD46-24-23SN-059](#) [HDB36-24-16PN-059](#) [HDP26-24-9SE-L015](#) [12185280](#) [12185550](#) [12336-12](#) [12191172-B](#) [12S](#) [13545280](#) [13577943](#)  
[13681974](#) [13737722-B](#) [13830674](#) [13832576](#) [13849772](#) [13542772](#)