

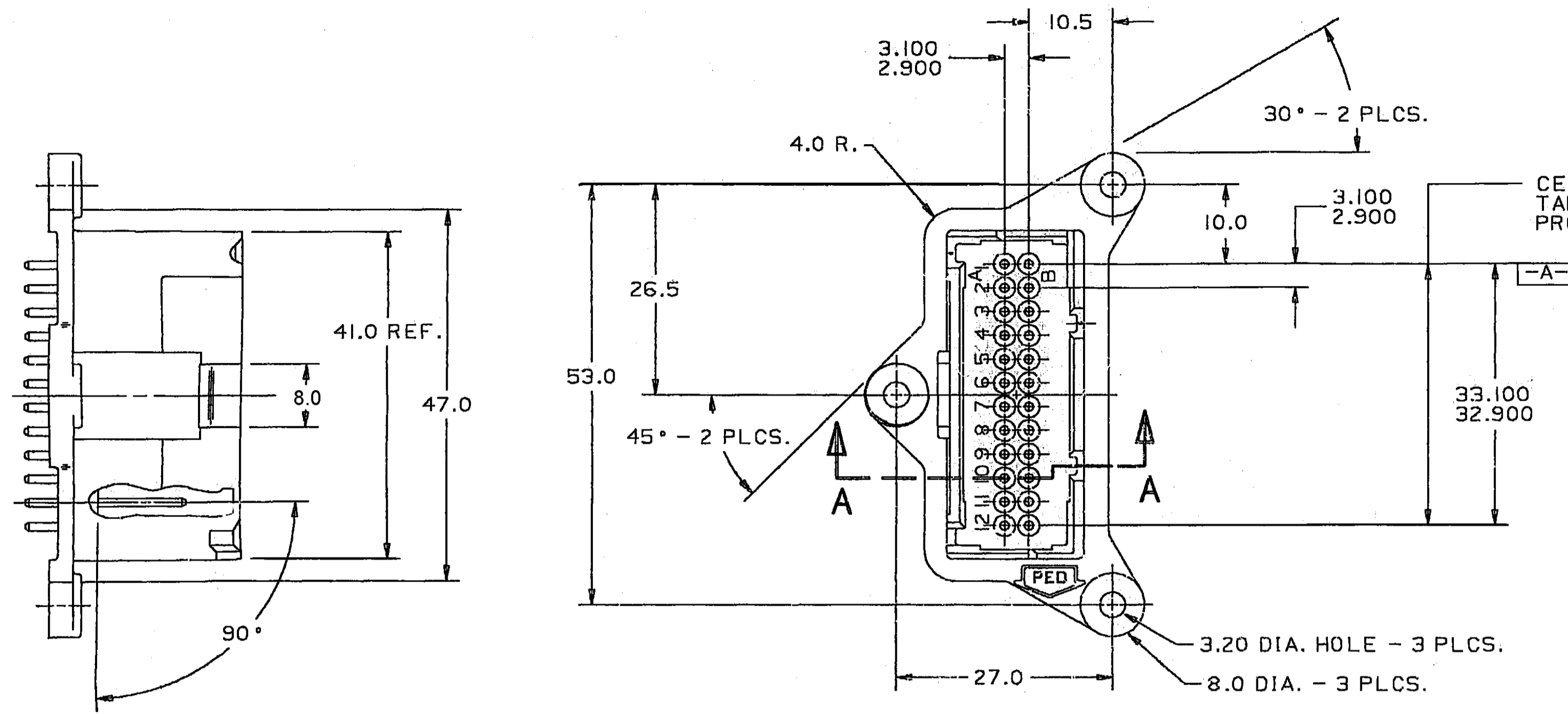
D

THIS DRAWING AND DESIGN HEREON CONSTITUTE A PROPRIETARY DESIGN OF PACKARD ELECTRIC DIVISION AND IS NOT TO BE DUPLICATED OR REPRODUCED WITHOUT AUTHORITY OF PACKARD ELECTRIC DIVISION.

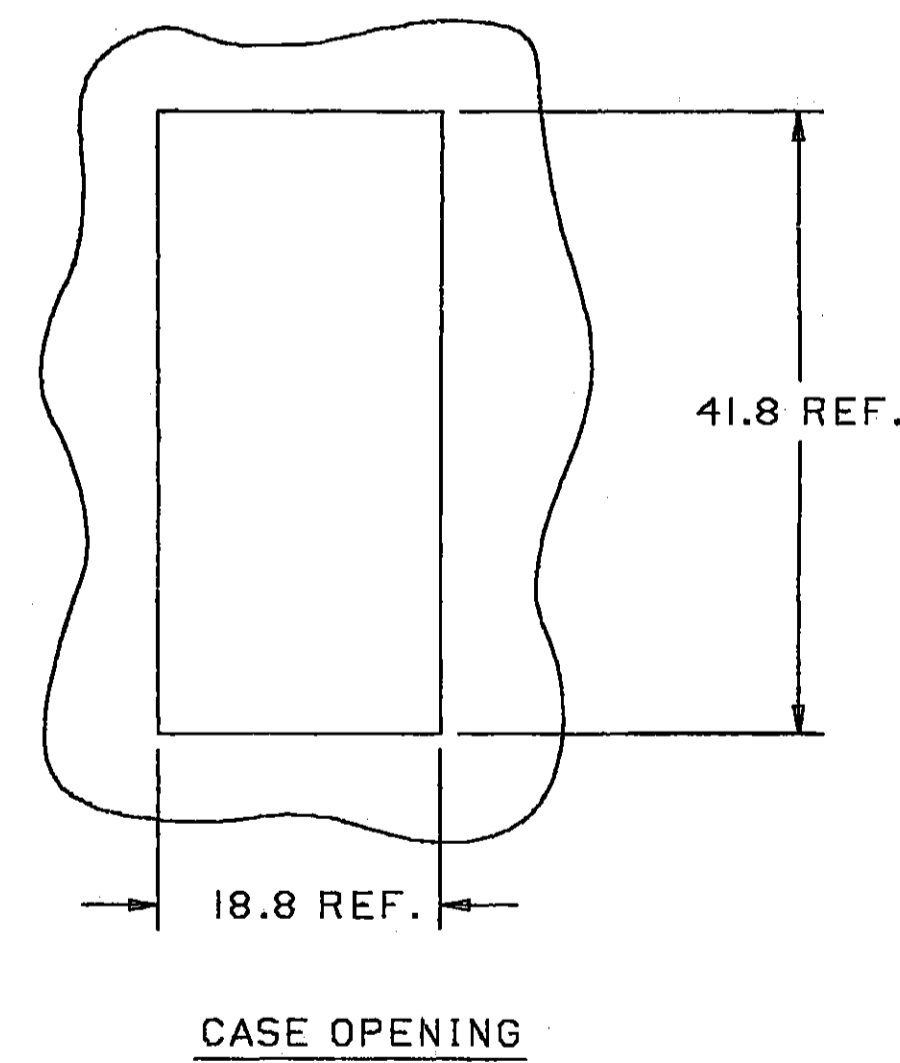
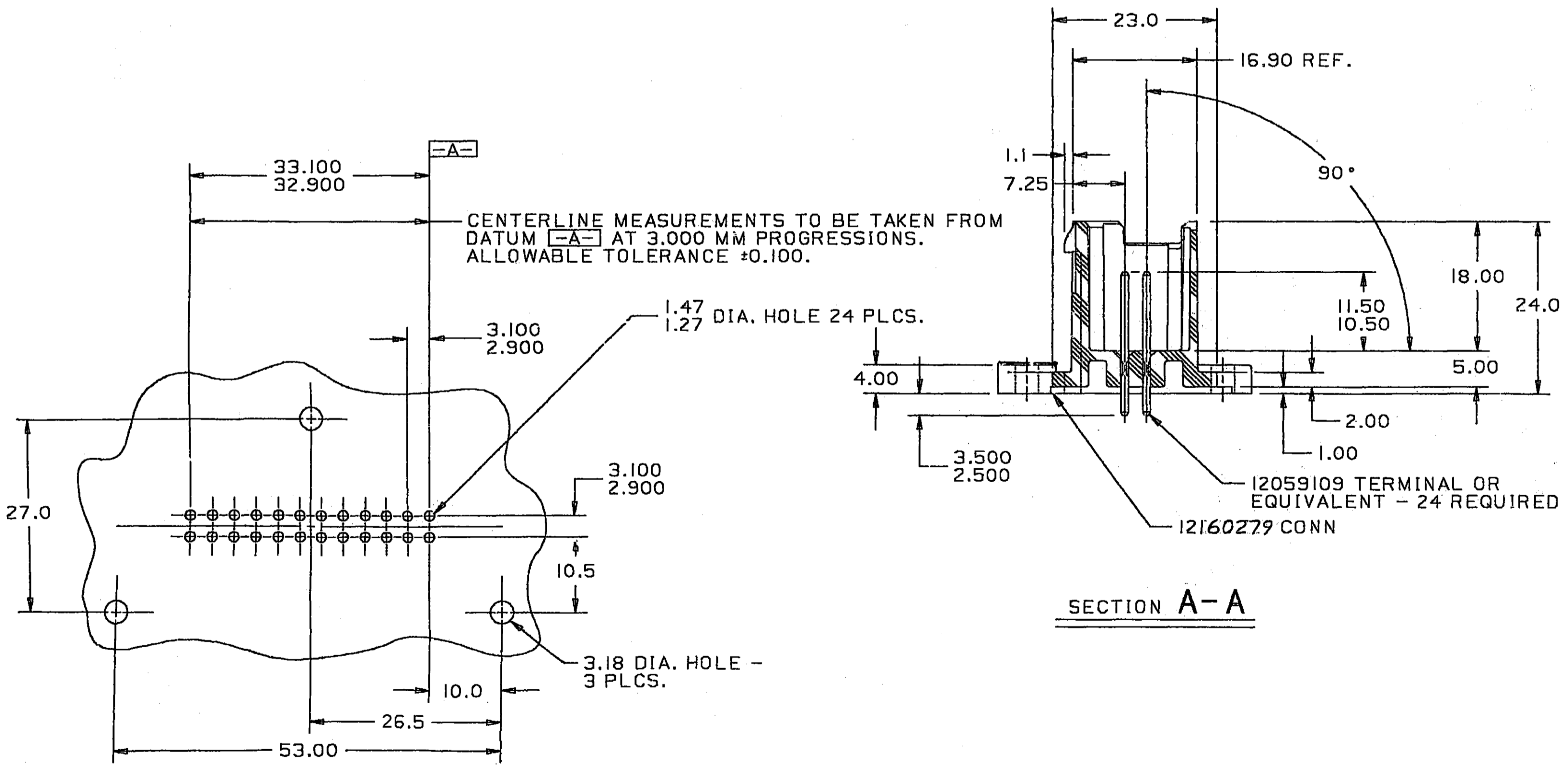
DO NOT SCALE

PART NO. 1204 0722

PART NO. 1204 0722



CENTERLINE MEASUREMENTS TO BE TAKEN FROM DATUM [A-A] AT 3.000 MM PROGRESSIONS. ALLOWABLE TOLERANCE ±0.100.



CASE OPENING

- RECOMMENDATIONS**
1. SOLDER THRU HOLES.
 2. 1.50 MM THICK CIRCUIT BOARD.
 3. FASTENER SIZE #4-40.
- CONNECTOR MOUNTING SIDE**

- NOTES-**
1. REFERENCE ESA-645-A FOR PERFORMANCE SPECIFICATIONS.
 2. PIN MUST MEET SOLDERABILITY REQUIREMENTS AS SPECIFIED ON DRAWING 12052920.
 3. MATING INSULATOR 12047946 OR EQUIVALENT.

- PACKAGE NOTES-**
1. PARTS SHOULD BE PLACED IN CLEAN PLASTIC TUBS OR PANS LINED WITH POLYETHYLENE BAGS, WHERE PRACTICAL, DURING PROCESSING AND STORAGE. IN ALL CASES, IN-PROCESS HANDLING MUST OCCUR WITH DUE CARE SO AS TO INSURE PED CUSTOMERS RECEIVE CLEAN, UNDAMAGED PARTS. PARTS MUST BE PACKAGED IN A MANNER THAT INSURES TERMINAL PIN LOCATION AFTER PROCESSING. IF SOFT PADDING IS REQUIRED, IT MUST BE OF A PASSIVATED MATERIAL.

DATE	SYM	REVISION RECORD	AUTH	DR	CK
29AP83	A	RELEASED	83005		RG
19FE84		REVISED & REPLOTED	88927		KFC
24MY85		REVISED TERMINAL NOTE IN SECTION A-A & REPLOTED	98320	LT	TM
09JL85		REVISED DIMENSIONING AND ADDED GEOMETRIC STICKER	99517	DKS	AS
16SE85		REMOVED GEOMETRIC STICKER & REVISED DIMENSIONING	100815	LT	TM
14MR86		REVISED	104530	JK	TM
18AP86		REMOVED FASTENER & GAGE NOTES	105641	GP	DKS
18AP86		ADDED "OR EQUIVALENT" TO 12059109			
		TERMINAL NOTE	105980	GP	DKS
08DE87		12047946 MATING INSULATOR WAS 12020753	116529	JK	TM
01NO88	A1	REVISED PACKAGE NOTE	122954	JK	JH
05JL89	A2	REVISED PART NAME	127966	AP	AP
11JL89	A3	CASE OPENING WAS 17.40 REF. X 41.50 REF.	128068	AP	AP
19NO93	AA	12160279 CONN WAS 12040721	158445	GP	SL
10MY10	A5	UPDATED PDM ATTRIBUTES	410736	AGM	FBF

CAD CAM

METRIC THIRD ANGLE PROJECTION

DIMENSIONS ARE IN MILLIMETERS UNLESS OTHERWISE SPECIFIED

CODE NO 6900 TOLERANCE UNLESS OTHERWISE SPECIFIED

QC-C-5129 DECIMAL: ONE PLACE ±0.3 TWO PLACE ±0.15 ANGULAR ±2°

DWG DATE 28AP83 SCALE 2:1 DR.

CD.A.12040722 CK. R.W. GLEASON DATE 13JN83

REFERENCE NO. 12020756 APPR. J.GLADD DATE 14JN83

MATERIAL SPEC. APPR. J.YURTIN DATE 15JN83

SEE DRAWING

NAME ASM CONN 24M MIC/P 100

PART NO. 1204 0722 SIZE D

PACKARD ELECTRIC

PACKARD ELECTRIC DIVISION
GENERAL MOTORS CORPORATION
WARREN, OHIO

764
10-
197-A
3-
4-
1984

X-ON Electronics

Largest Supplier of Electrical and Electronic Components

Click to view similar products for [Automotive Connectors](#) category:

Click to view products by [APTIV](#) manufacturer:

Other Similar products are found below :

[003-018-000](#) [60403001](#) [60993906-B](#) [629515004020001](#) [M902-2131](#) [M902-2161](#) [72.330.1035.1](#) [73.353.4028.0](#) [F119300-B](#) [F166900](#)
[F258300-B](#) [F358300-B](#) [F407400](#) [F444110](#) [F487000](#) [F509500B-B](#) [827153-1](#) [8N1515-32-24P](#) [9-1326729-8](#) [925474-1](#) [928905-1](#) [964562-4](#)
[968782-1](#) [GT17SA-8DS-HU](#) [98891-1012](#) [98947-1016](#) [12004475-L](#) [12010290](#) [12010309-B](#) [12015454](#) [12020219-B](#) [12020308](#) [12041318-B](#)
[12052225-L](#) [12052466](#) [12059125](#) [12064869](#) [12004327-B](#) [12010503-B](#) [12015308](#) [12015384](#) [12015909](#) [1-21030-1](#) [12041254](#) [12041318](#)
[12047946-B](#) [12047957](#) [12047957-L](#) [12059473](#) [12066261](#)