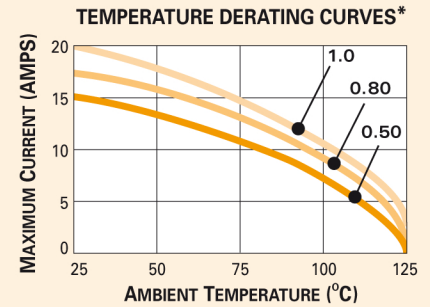
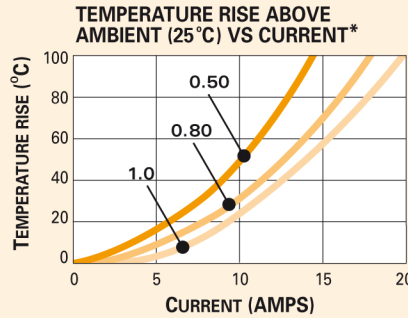




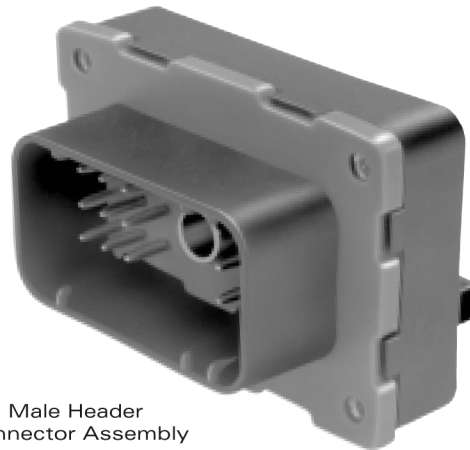
Sealed System Application Information

CABLE RANGE (mm²): 0.35-1.0
CURRENT RANGE (AMPS): 0-14
TEMP RANGE °C: -40 to 125
RESISTANCE: <10mΩ@20mV
VOLTAGE DROP: <10mV/amp
CENTERLINE SPACING (mm):
 **Connector Dependent**
BLADE WIDTH (mm): 1.5

150 SERIES TERMINALS-Tin Plated



*The test data are based on single circuits in free space and were generated using a "Lumped Resistance" model. This model does not account for all of the variables that would be present in an actual application. For actual product performance, contact your regional support representative at the number listed below.



Male Header Connector Assembly

12065266



12034413



150 METRI-PACK MALE HEADER CONNECTOR ASSEMBLIES SEALED

Pins	Connector	Color	Material
18	12040923	Black	PET 30% GF
30	Obsolete	Dk. Gray	PET 30% GF
48	12052130	Black	PET 30% GF
60	12034396	Black	PET 30% GF

Terminals Included in Male Header.

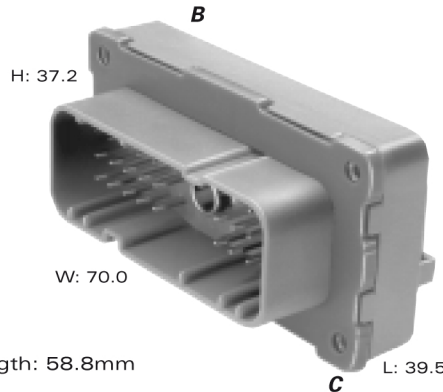
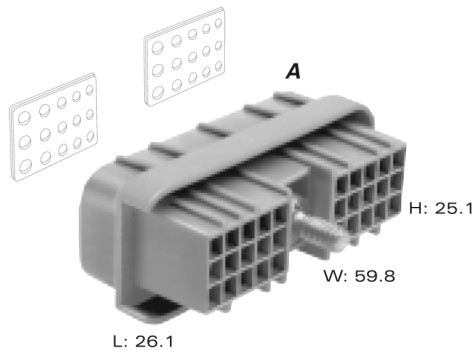
CABLE SEAL PLUGS

Part #	Cable Seal Hole Diameter (mm)	Material	Color	Type
12065266	1.85-1.65	PA6	Md. Gray	Machine Insertion
12034413	1.85-1.10	PA66 HS IM	Black	Hand Insertion

SECTION NOTES:

- Contact your regional support representative at the number listed below.
- Due to rigid tolerances of connector cavities, it is critical to meet all crimp dimensions as specified.
- Overall mated length varies with bolt measurement.
- Inner connector seal included in Male Header Connector Assemblies where applicable.

<http://delphi.com/products/connect>

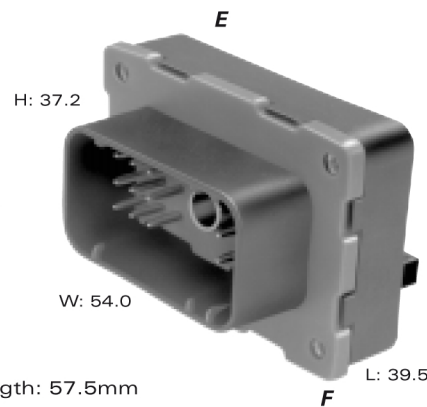
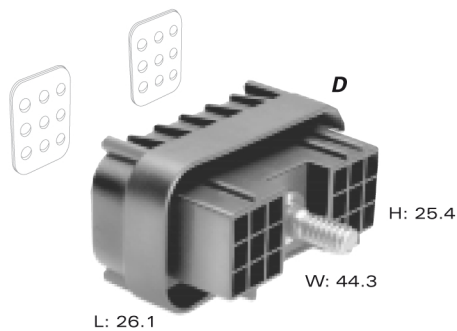


Total Mated Length: 58.8mm

A PART NO: 12048455
 DESCRIPTION: Connector Assembly 30F
 SIZE: 26.1L x 25.1H x 59.8W
 COLOR: Dk. Gray
 MATERIAL: PET 30% GF
 TERMINALS: See Page 154, 150 Pull-To-Seat Female
 PLUGS: See Page 155, Cable Seal Plugs

B PART NO: OBSOLETE
 DESCRIPTION: Connector Assembly 30M
 SIZE: 39.5L x 37.2H x 70.0W
 COLOR: Dk. Gray
 MATERIAL: PET 30% GF
 NOTE: Shipping cover 12040542 included.

C PART NO: 12048456
 DESCRIPTION: Flange Seal
 COLOR: Green
 MATERIAL: Silicone



Total Mated Length: 57.5mm

D PART NO: 12040921
 DESCRIPTION: Connector Assembly 18F
 SIZE: 26.1L x 25.4H x 44.3W
 COLOR: Black
 MATERIAL: PBT 30% GF
 TERMINALS: See Page 154, 150 Pull-To-Seat Female
 PLUGS: See Page 155, Cable Seal Plugs

E PART NO: 12040923
 DESCRIPTION: Connector Assembly 18M
 SIZE: 39.5L x 37.2H x 54.0W
 COLOR: Black
 MATERIAL: PET 30% GF
 NOTE: Shipping cover 12040940 included.

F PART NO: 12040938
 DESCRIPTION: Flange Seal
 COLOR: Green
 MATERIAL: Silicone

<http://delphi.com/products/connect>

X-ON Electronics

Largest Supplier of Electrical and Electronic Components

Click to view similar products for [Headers & Wire Housings](#) category:

Click to view products by [APTIV](#) manufacturer:

Other Similar products are found below :

[892-18-020-10-001101](#) [58102-G61-06LF](#) [582553-1](#) [0009485154](#) [009176003701906](#) [0050291907](#) [LY20-4P-DT1-P1E-BR](#) [02.125.8002.8](#)
[609-3404](#) [61062-3](#) [622-0430](#) [622-3653LF](#) [63453-116](#) [636-1030](#) [636-1427](#) [636-3427](#) [636-4007](#) [641938-9](#) [641991-4](#) [644827-2](#) [65817-010LF](#)
[65817-015LF](#) [65863-015LF](#) [66207-023LF](#) [67095-007LF](#) [67601157](#) [68648-049](#) [70.362.1628.0](#) [70-4210](#) [70-4226B](#) [70-4853B](#) [707-5020](#) [707-5028](#) [71.350.2428.0](#) [71918-208LF](#) [71961-016LF](#) [733-134](#) [733-162](#) [754199-000](#) [760-3052](#) [787-8014-00](#) [79531-3000](#) [FCN-360C032-B](#) [FCN-367T-T012/H](#) [FCN-723D010/2](#) [80.063.4001.1](#) [800-90-001-10-001000](#) [800-90-010-10-002000](#) [801-43-002-10-013000](#) [801-43-006-10-002000](#)