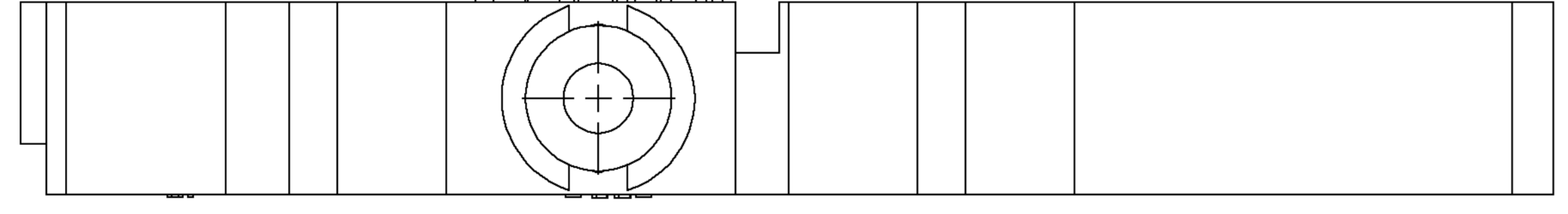
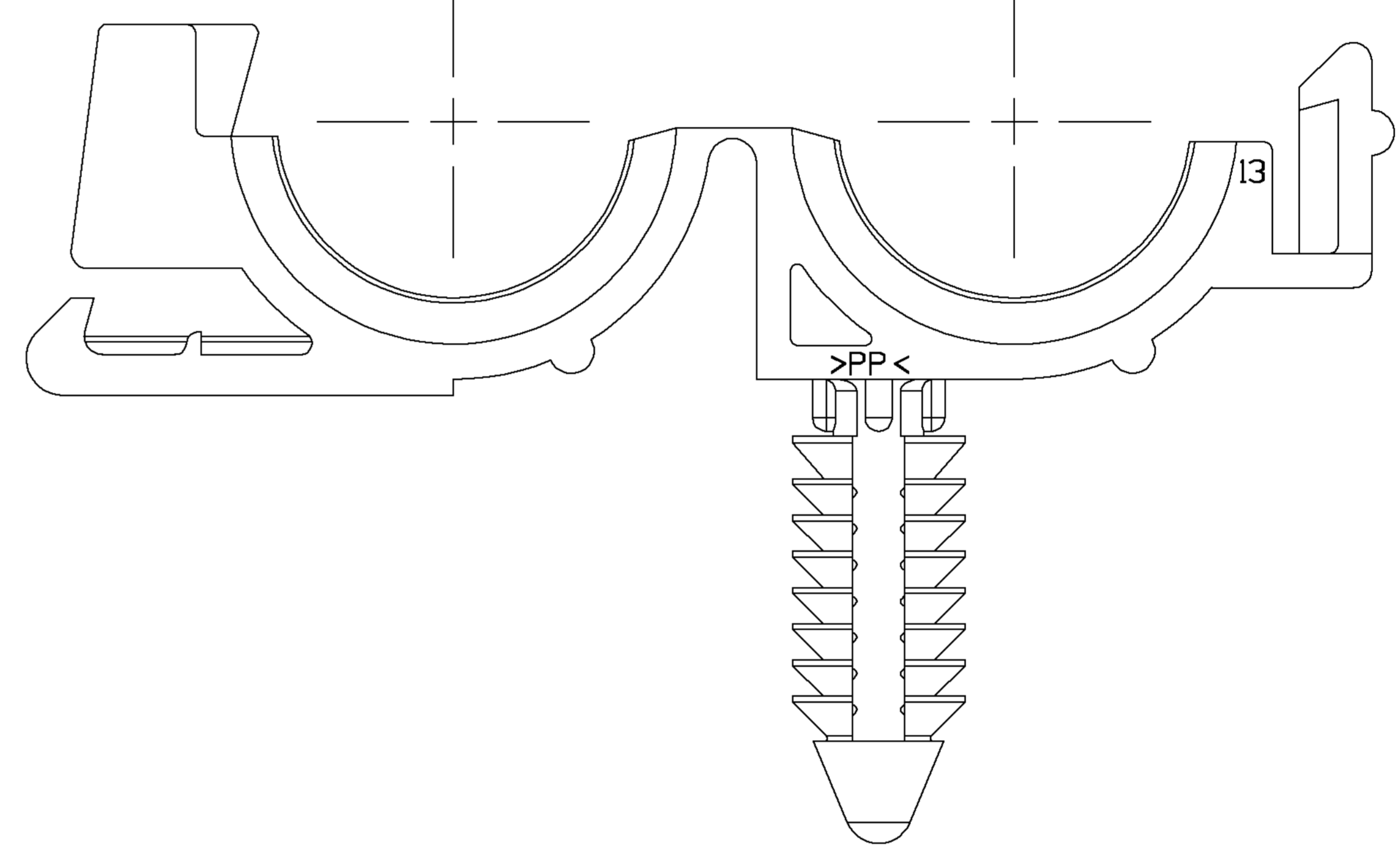
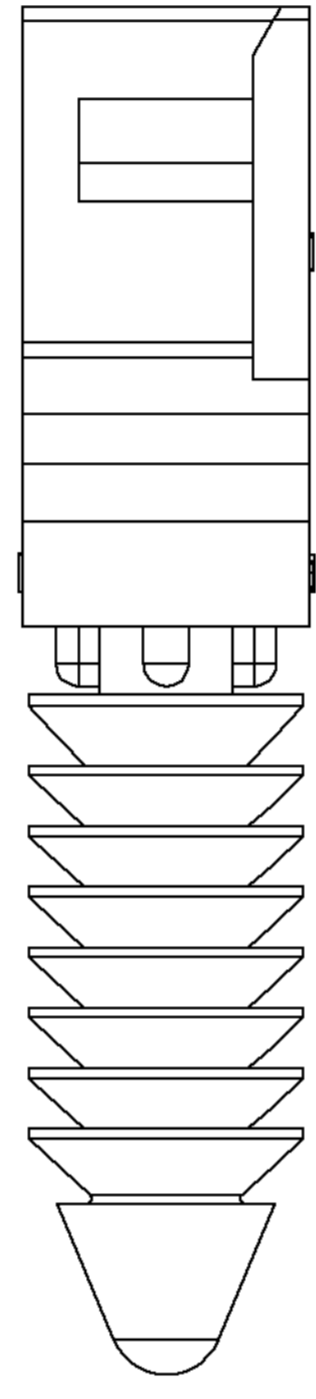
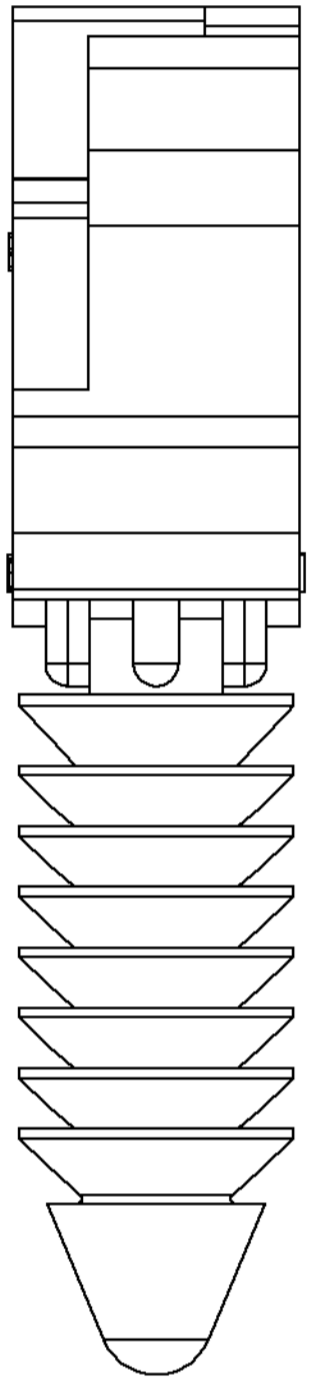
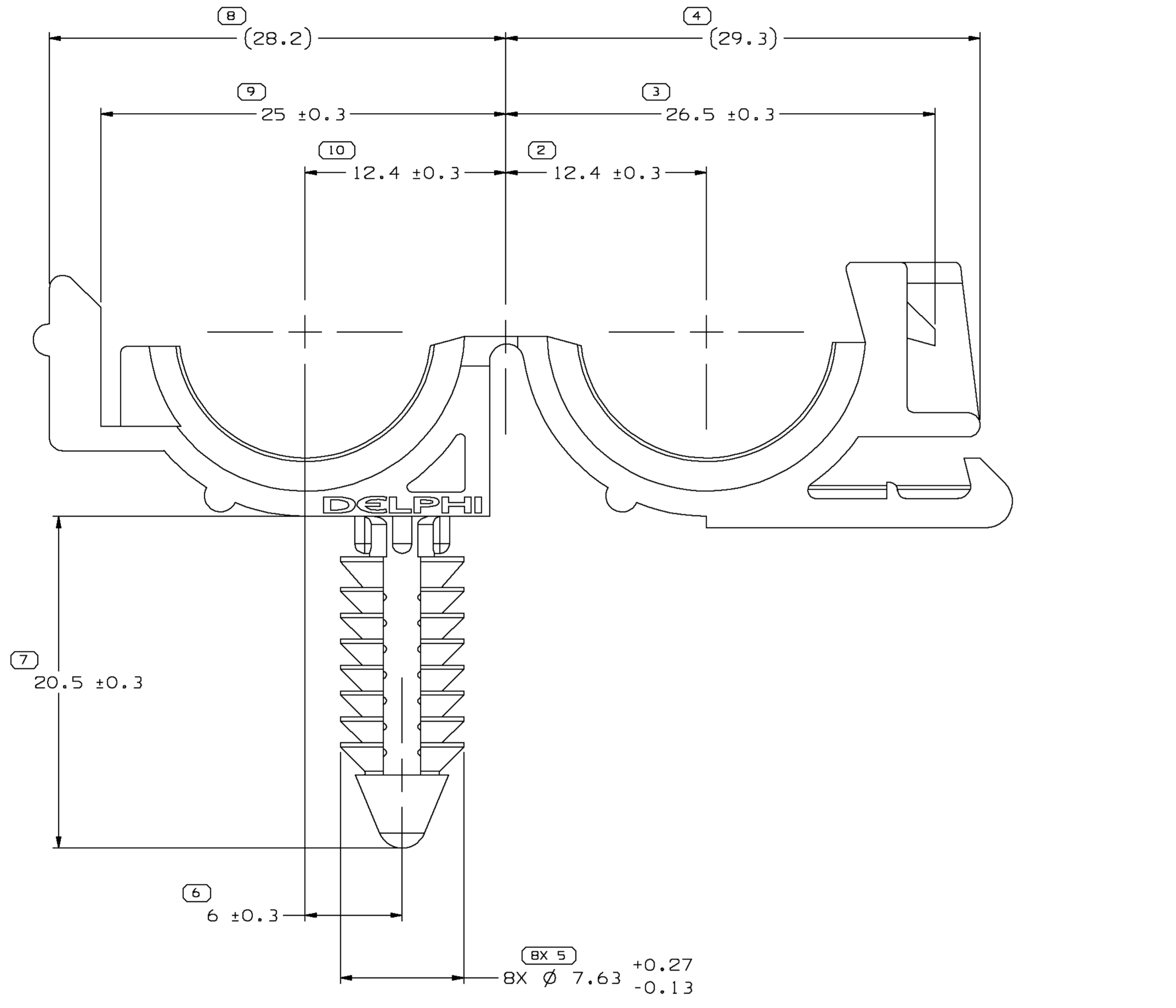
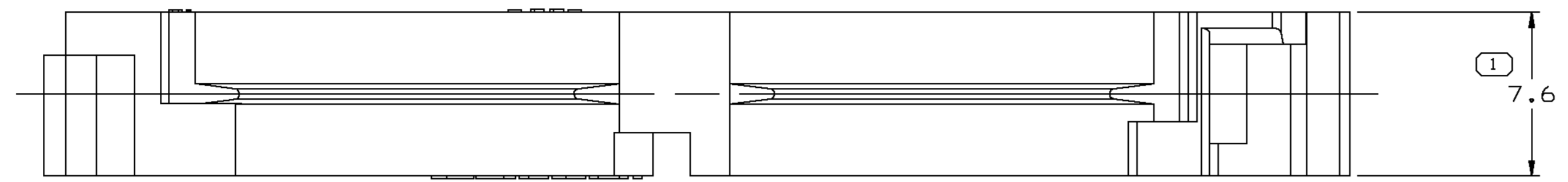
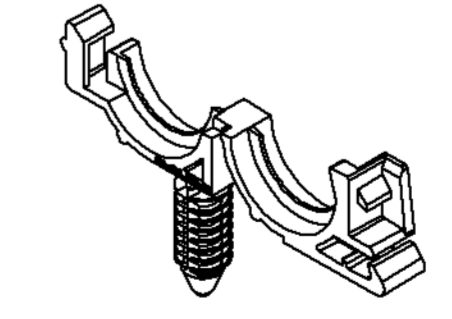


SYMBOL DEFINITION		MISSING SYMBOLS	
A DIMENSION WITHOUT AN INSPECTION REPORT SYMBOL DOES NOT REQUIRE INSPECTION. IT MAY BE CONTROLLED ON THE INDIVIDUAL COMPONENT DRAWING.	TOTAL NO OF INSPECTIONS REQUIRED	NO MISSING SYMBOL NUMBER	
	17		
	LAST NO. USED		
	10		

DWG STATUS				REVISION HISTORY				AUTH	DR	APVD	APVD
DATE	STG	REV	W/P	CHG	ZONE						
29JAO3	R	B1	-	-		REDRAWN TO PD		235990	RH	RH	FR



- NOTES
- UNLESS OTHERWISE SPECIFIED AND/OR INDICATED: DIMENSIONS ARE TO FACE OF VIEW SHOWN AND AUTOMATICALLY ROUNDED BY COMPUTER FOR INSPECTION (SEE MATH MODEL FOR PRECISE DIMENSIONS). FOR ALL OTHER DIMENSIONS NOT SHOWN BUT REQUIRED FOR TOOL BUILD, SEE MATH MODEL FOR PRECISE TOOL PATH DATA.
 - MATERIAL RECYCLING CODE >PP< PER SAE J1344. (1)X(0.1) RAISED CHARACTERS AS SHOWN TO BE LOCATED ON ANY EXTERIOR SURFACE. OPTIONAL CONSTRUCTION TO BE NO MATERIAL RECYCLING CODE.
 - THIS PART IS NOT CONTROLLED FOR AUTOMATIC FEEDING.
 - (1)X(0.1) RAISED DELPHI CORPORATE BRAND TO BE LOCATED ON ANY EXTERIOR SURFACE, PREFERABLY VISIBLE AT FINAL ASSEMBLY. OPTIONAL CONSTRUCTION TO BE "PED" OR NO LOGO.
 - THIS PART IS DESIGNED TO ACCEPT 12.8 ID CONVOLUTED CONDUIT.
 - RECOMMENDED HOLE SIZE FOR CLIP, 6.6/6.1 DIA HOLE IN 12.5 MAX. THICK STOCK.



DWO TYPE		PART DRAWING	
STYLE		DISTR CODE	D
VOLUME (COP)	2,125	ROUTING	6900
UNLESS OTHERWISE SPECIFIED			
THIS DOCUMENT IS IN ACCORDANCE WITH ASME Y14.5M-1994 AS AMENDED BY THE 2003 DIMENSIONING AND TOLERANCING ADDENDUM - 1997. ALL GEOMETRIC TOLERANCES AND RELATED DATUMS APPLY TO ALL DIMENSIONS UNLESS OTHERWISE SPECIFIED. MATERIAL DOES NOT APPLY WHEN RELATIONSHIP BETWEEN FEATURES IS ESTABLISHED BY ORIENTATION OR LOCATION TOLERANCES. SEPARATE POSITION CALLOUTS MAY BE BASED SEPARATELY, REGARDLESS OF DATUM REFERENCE. ALL DIMENSIONS ARE IN MILLIMETERS.			
REFERENCE		THIRD ANGLE PROJECTION	
		DO NOT SCALE	
		USE MATH DATA	
		UNIGRAPHICS	

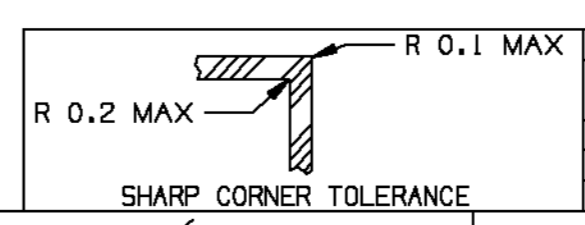
DELPHI
DELPHI PACKARD ELECTRIC SYSTEMS
WARREN, OH

OR	DATE
APVD1 D. SHIRY	08SEB3
APVD2 J. O'KEEFE	08SEB3
APVD3	
APVD4	
APVD5	

MATERIAL: M2097001 PP 1M BLK
SUBSTANCES OF CONCERN AND RECYCLED CONTENT PER DELPHI 10949001

DRAWING NAME: CLIP CNVLT CDT 13MM NA1
DRAWING NUMBER: 12040983

SIZE	SCALE	FRAME NO	SHEET NO	STG	REV	W/P
A0	5:1	1	1	1	1	1



FROM	TO	DIMENSIONAL RANGE (MM)	TOLERANCE UNLESS OTHERWISE SPECIFIED	CHART ET
0	20	> 0	±0.1	1
20	30	> 20	±0.15	2
30	70	> 30	±0.2	3
70	100	> 70	±0.3	4
100	150	> 100	±0.4	5
150	200	> 150	±0.5	6
200	250	> 200	±0.6	7
250	300	> 250	±0.8	8
300	400	> 300	±1	9
		> 400	±1.2	10

(1) PROCESS SENSITIVE DIMENSION
DIMENSIONS ENCLOSED IN () INDICATE RETIRED, DURING CHG, AND NO TOLERANCE LIMITS ARE ESTABLISHED

X-ON Electronics

Largest Supplier of Electrical and Electronic Components

Click to view similar products for [Automotive Connectors](#) category:

Click to view products by [APTIV](#) manufacturer:

Other Similar products are found below :

[003-018-000](#) [60403001](#) [60993906-B](#) [629515004020001](#) [M902-2131](#) [M902-2161](#) [72.330.1035.1](#) [73.353.4028.0](#) [F119300-B](#) [F166900](#)
[F258300-B](#) [F358300-B](#) [F407400](#) [F444110](#) [F487000](#) [F509500B-B](#) [827153-1](#) [8N1515-32-24P](#) [9-1326729-8](#) [925474-1](#) [928905-1](#) [964562-4](#)
[968782-1](#) [GT17SA-8DS-HU](#) [98891-1012](#) [98947-1016](#) [12004475-L](#) [12010290](#) [12010309-B](#) [12015454](#) [12020219-B](#) [12020308](#) [12041318-B](#)
[12052225-L](#) [12052466](#) [12059125](#) [12064869](#) [12004327-B](#) [12010503-B](#) [12015308](#) [12015384](#) [12015909](#) [1-21030-1](#) [12041254](#) [12041318](#)
[12047946-B](#) [12047957](#) [12047957-L](#) [12059473](#) [12066261](#)