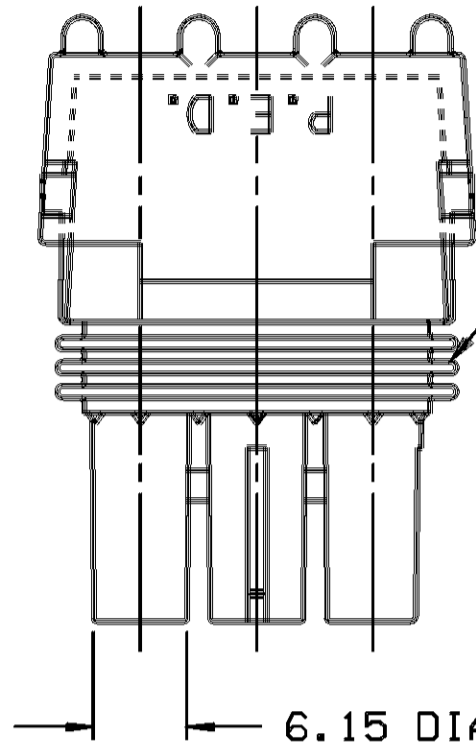


D

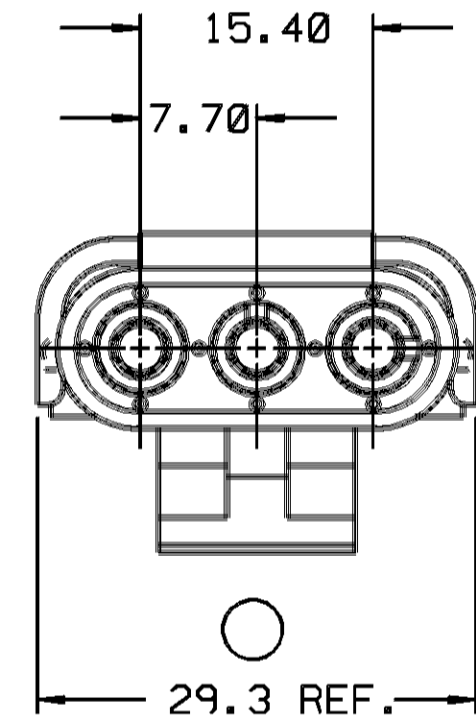
THIS DRAWING AND DESIGN HEREON CONSTITUTES A PROPRIETARY DESIGN OF PACKARD ELECTRIC DIVISION AND IS NOT TO BE DUPLICATED OR REPRODUCED WITHOUT AUTHORITY OF PACKARD ELECTRIC DIVISION.

DO NOT SCALE

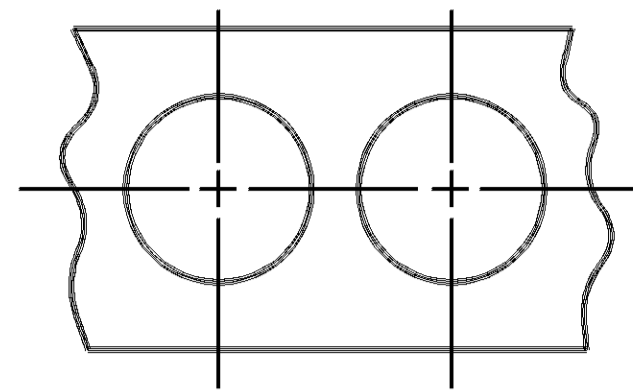
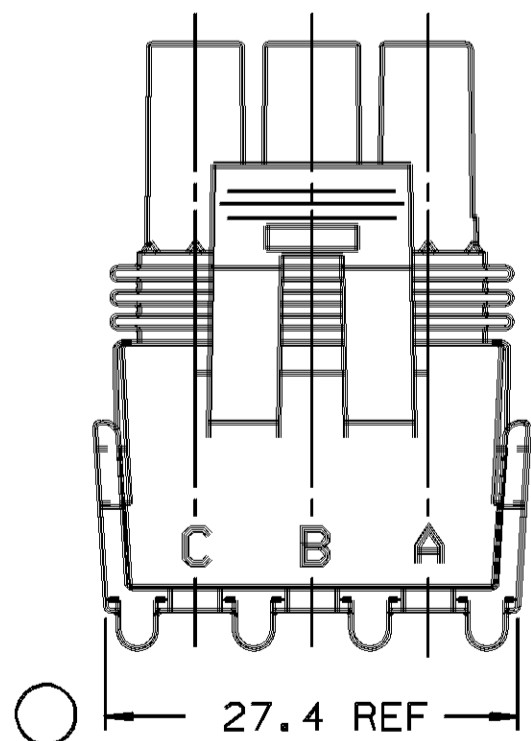


SEALING RIBS MUST BE FREE OF DEFECTS.

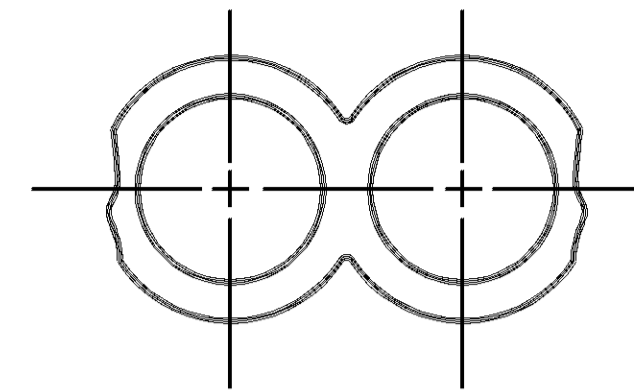
6.15 DIA. - 3 PLCS



INDEX CODE
-430-
(ALSO SEE HANDBOOK)

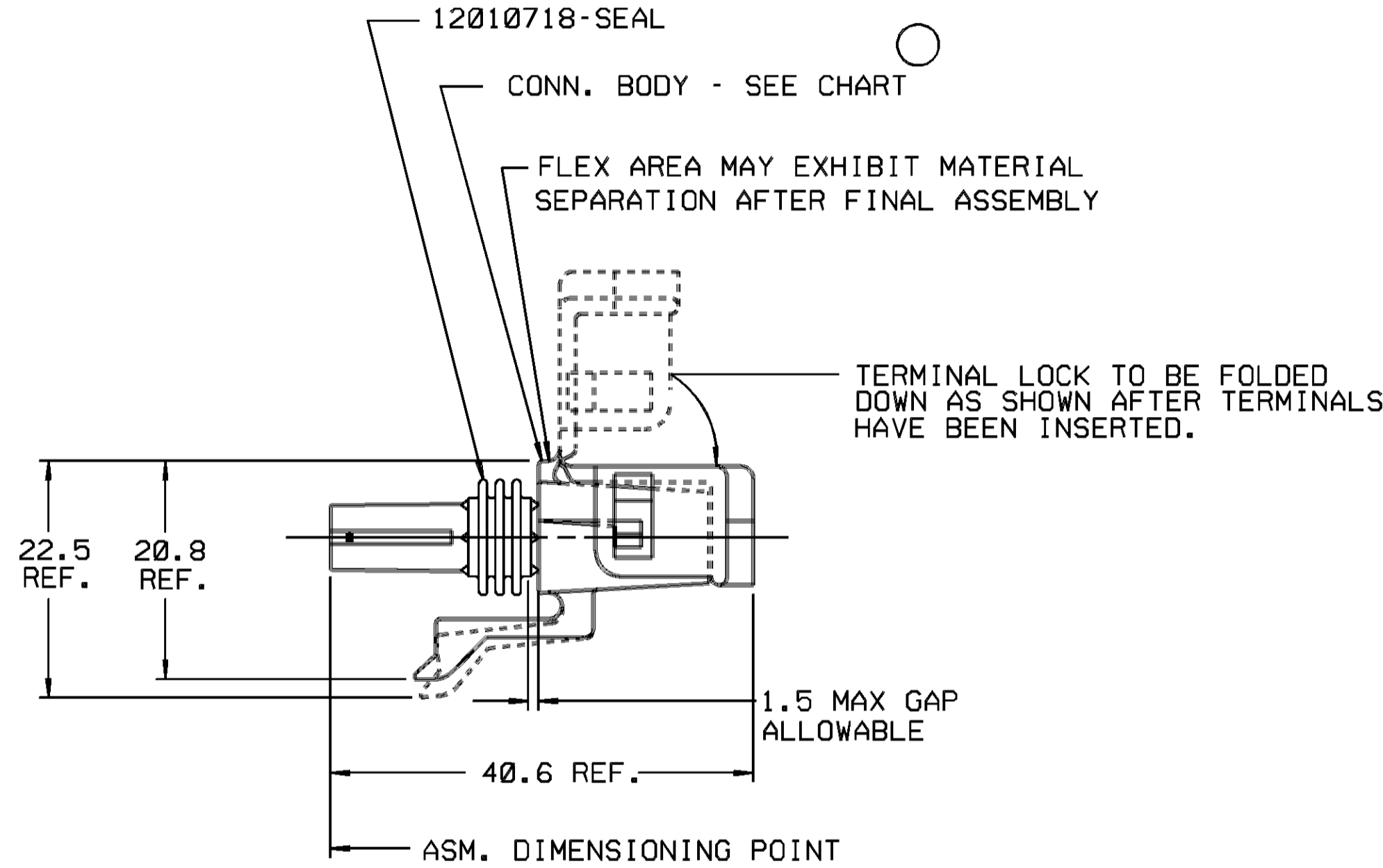


STANDARD CONSTRUCTION



OPTIONAL CONSTRUCTION

CABLE END VIEW OF CONN. BODY



DATE	SYM	REVISION RECORD	AUTHORITY	DR	CK
230C90		P/N'S 12015796 & 12041332 REDRAWN FROM SEPARATE 'C' SIZE SHEETS AND REVISED - NO REVISION UPDATE REQ'D	0137269	FDS	FDS
07N090		12103771 - RELEASE TO REV 'A'	900005	GC	GC
13JN91		ALL PARTS - REVISED NOTE #3, ADDED MATING PARTS TO CHART, CONN. BODY - SEE CHART WAS 12015786 CONN. BODY, 29.3 REF. WAS 29.0 REF., 40.6 REF. WAS 40.3 REF. AND 27.4 REF. WAS 27.40 REF. - NO REV UPDATE REQ'D	142373	GC	GC

PART NO.
1210 3632

PACKARD ELECTRIC DIVISION
GENERAL MOTORS CORPORATION
WARREN, OHIO

- NOTES** - 1. USE FEMALE TERMINAL 12089188 OR EQUIVALENT FOR "IN LINE" APPLICATIONS. USE MALE TERMINAL 12089040 OR EQUIVALENT FOR PANEL MOUNT APPLICATIONS.
2. USE CABLE SEAL 12015323 OR EQUIVALENT.
3. MATING PART - SEE CHART.
4. WHEN PARTS ARE SHIPPED THEY MUST BE PACKED IN PLASTIC BAGS OR SHIPPING CONTAINERS MUST BE LINED WITH PLASTIC LINERS. BAGS OR LINERS MUST BE SEALED TO AVOID ENTRY OF FOREIGN MATTER.
5. SEALING CODE 3.
6. WHEN DESIGNING A PART TO MATE TO THIS WEATHER PACK CONNECTOR, REQUEST THE LATEST COPY OF DRAWING NUMBER 12020084 FROM THE PACKARD ELECTRIC DIVISION.

PED / NERGAPH MICROSTATION		FILE SPEC: ****USER**** DGN#SPECIFICATION***** ****SYTIME*****
THIRD ANGLE PROJECTION		METRIC DIMENSIONS ARE IN MILLIMETERS UNLESS OTHERWISE SPECIFIED.
CODE NO. 6900	TOLERANCE UNLESS OTHERWISE SPECIFIED DECIMAL: ANGULAR ±2° ONE PLACE ± 0.3 TWO PLACE ± 0.15	
Q.C. -C-5110	SCALE NONE	DR. F.DAVID SILVIO 230C90
DWG. DATE 230C90	CK. F.DAVID SILVIO	DATE 230C90
EST. NO.	APPR. ALEX R HERMANN	DATE 250C90
REFERENCE NO.	APPR.	DATE
MATERIAL SPEC. SEE DWG.		
NAME ASM CONN 3 W/P TWR		
PART NO. 1210 3632	SIZE C	

ASM PART NUMBER	REV	STATUS	CONNECTOR BODY	STANDARD DESCRIPTION	APPLICATION	REF. TERM/GENDER	DEVICE	MATING PART
12103771	A		12103770	ASM CONN 3M W/P TWR	DEVICE	12089040/M	DEVICE	
12041332	A		12041326	ASM CONN 3F W/P TWR	IN-LINE	12089188/F	12015442 PLUS 12015174 INSERT	
12015796	A		12015786	ASM CONN 3F W/P TWR	IN-LINE	12089188/F	12015442 PLUS 12015174 INSERT	

X-ON Electronics

Largest Supplier of Electrical and Electronic Components

Click to view similar products for [Automotive Connectors](#) category:

Click to view products by [APTIV](#) manufacturer:

Other Similar products are found below :

[003-018-000](#) [60403001](#) [60993906-B](#) [629515004020001](#) [M902-2131](#) [M902-2161](#) [72.330.1035.1](#) [73.353.4028.0](#) [F119300-B](#) [F166900](#)
[F258300-B](#) [F358300-B](#) [F407400](#) [F444110](#) [F487000](#) [F509500B-B](#) [827153-1](#) [8N1515-32-24P](#) [9-1326729-8](#) [925474-1](#) [928905-1](#) [964562-4](#)
[968782-1](#) [GT17SA-8DS-HU](#) [98891-1012](#) [98947-1016](#) [12004475-L](#) [12010290](#) [12010309-B](#) [12015454](#) [12020219-B](#) [12020308](#) [12041318-B](#)
[12052225-L](#) [12052466](#) [12059125](#) [12064869](#) [12004327-B](#) [12010503-B](#) [12015308](#) [12015384](#) [12015909](#) [1-21030-1](#) [12041254](#) [12041318](#)
[12047946-B](#) [12047957](#) [12047957-L](#) [12059473](#) [12066261](#)