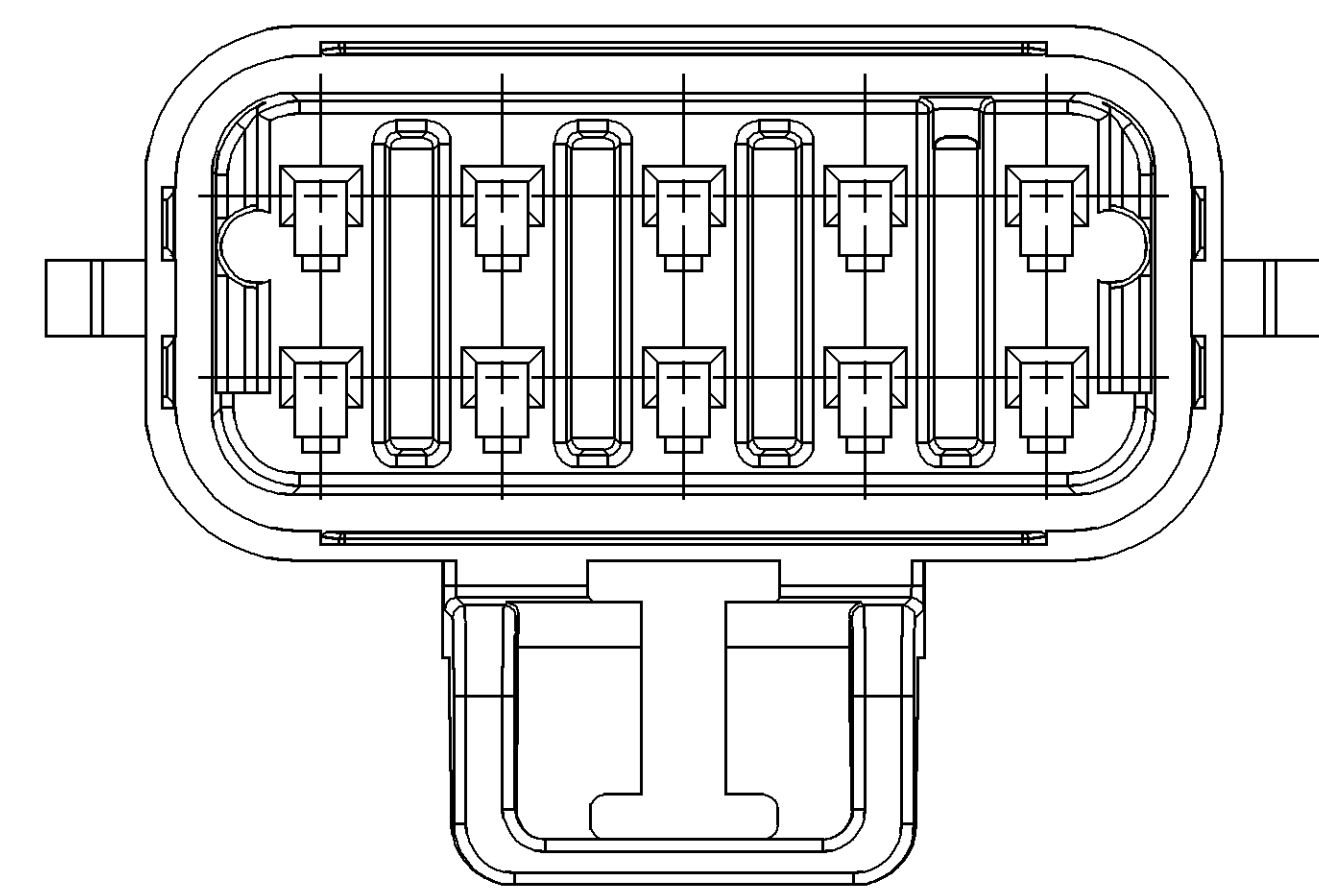
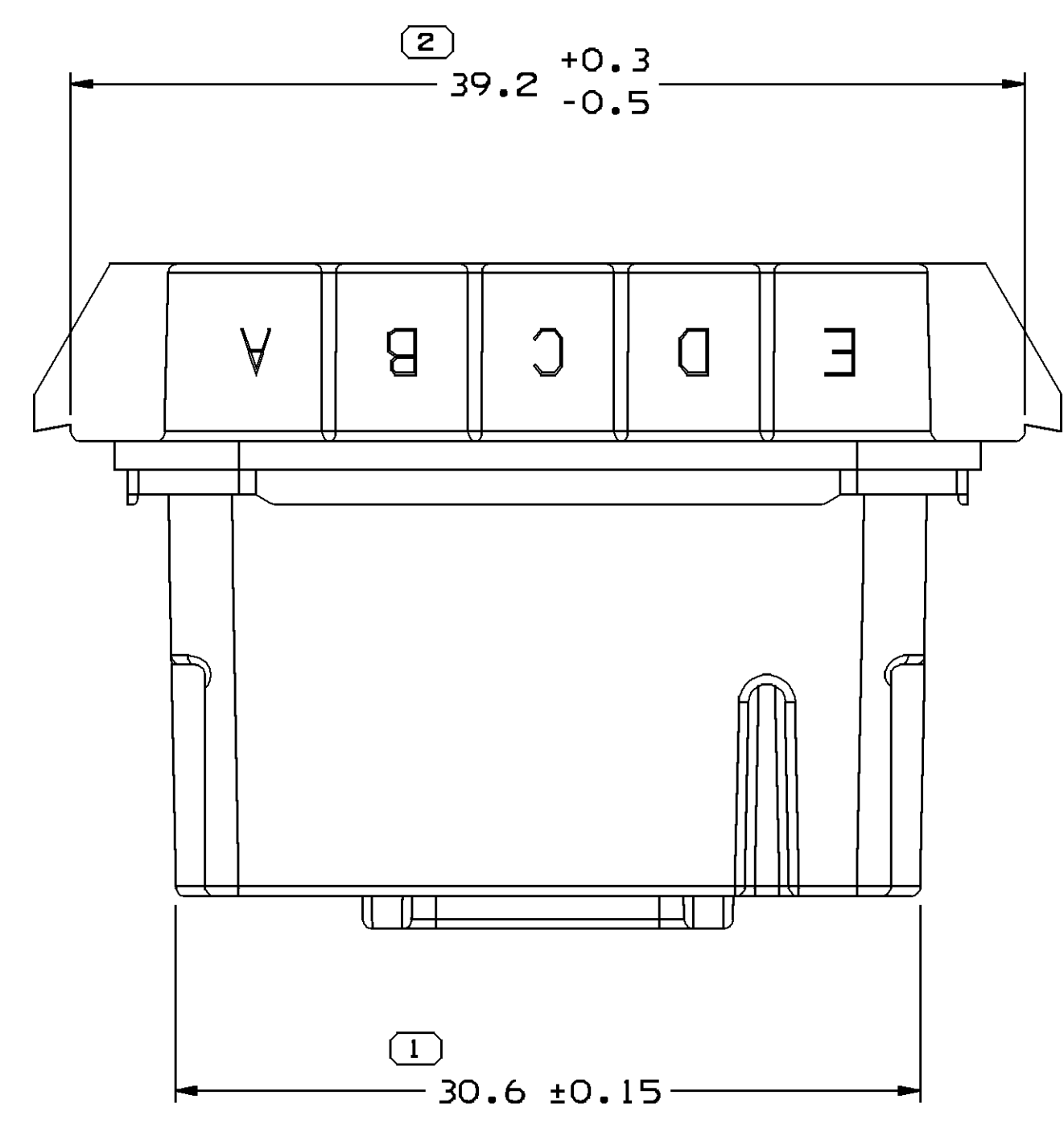
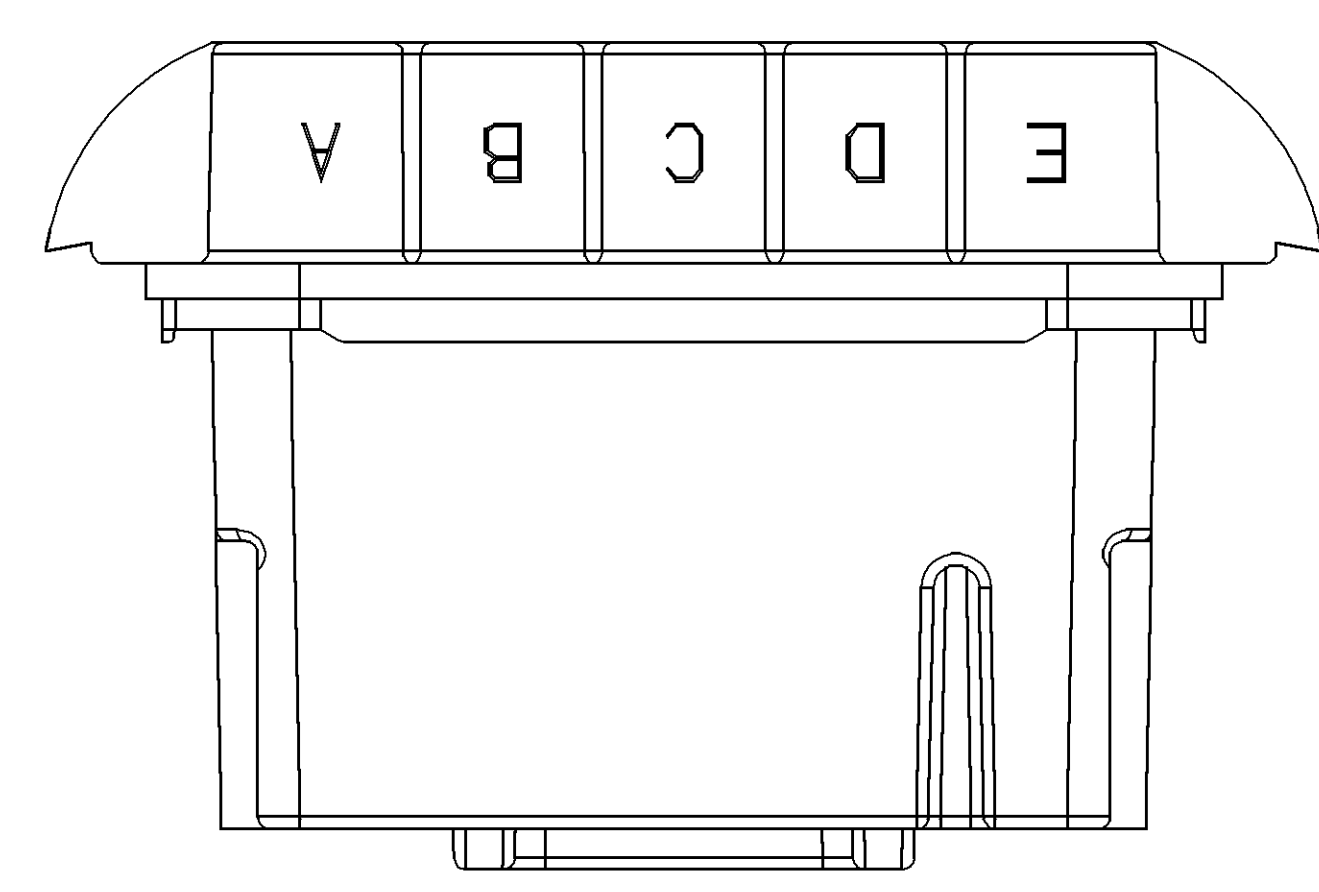
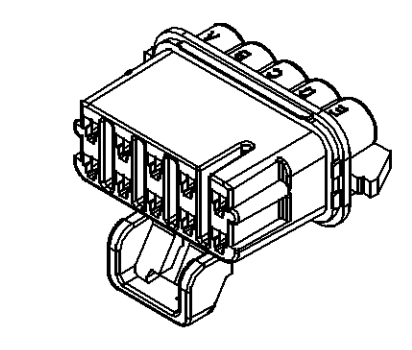
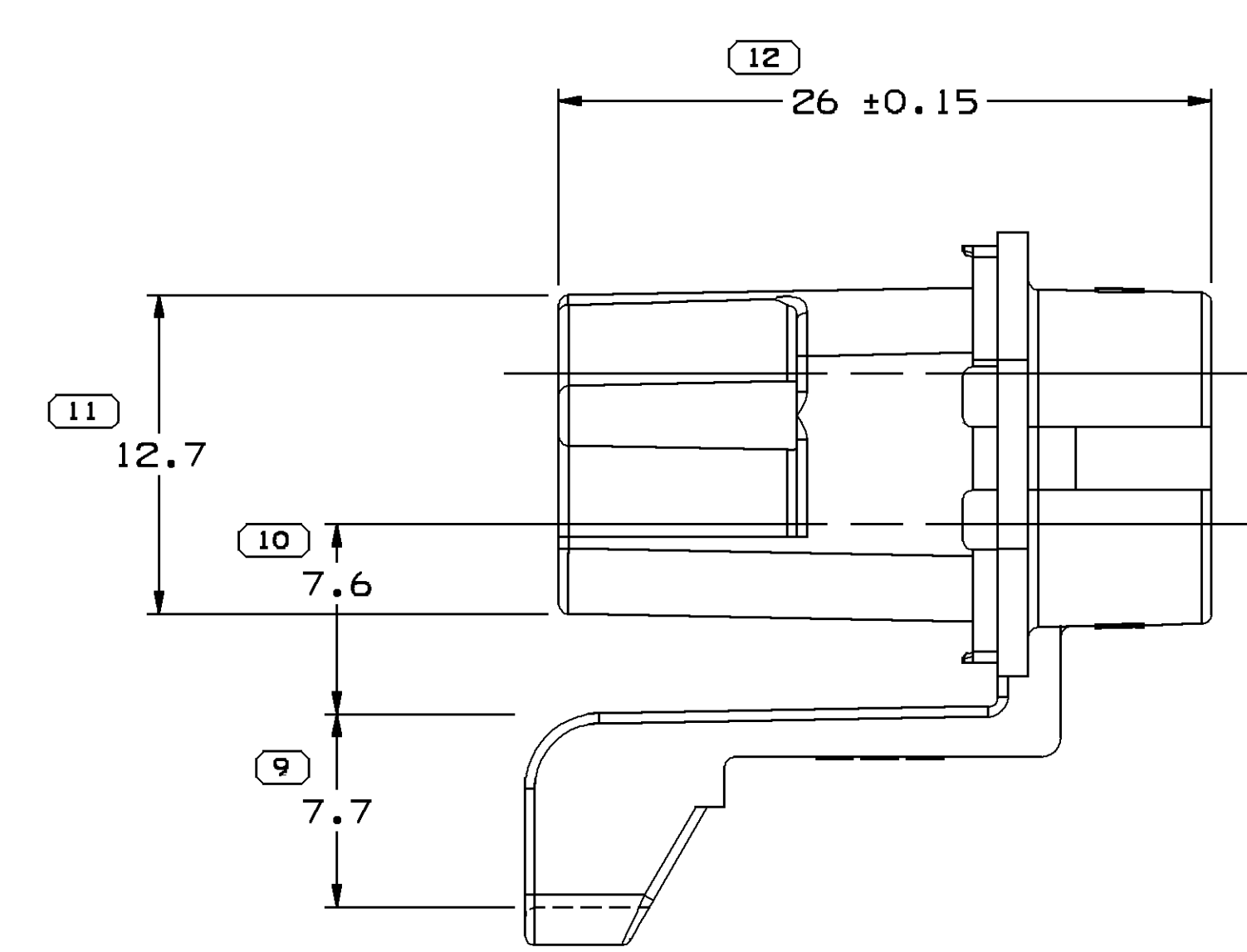
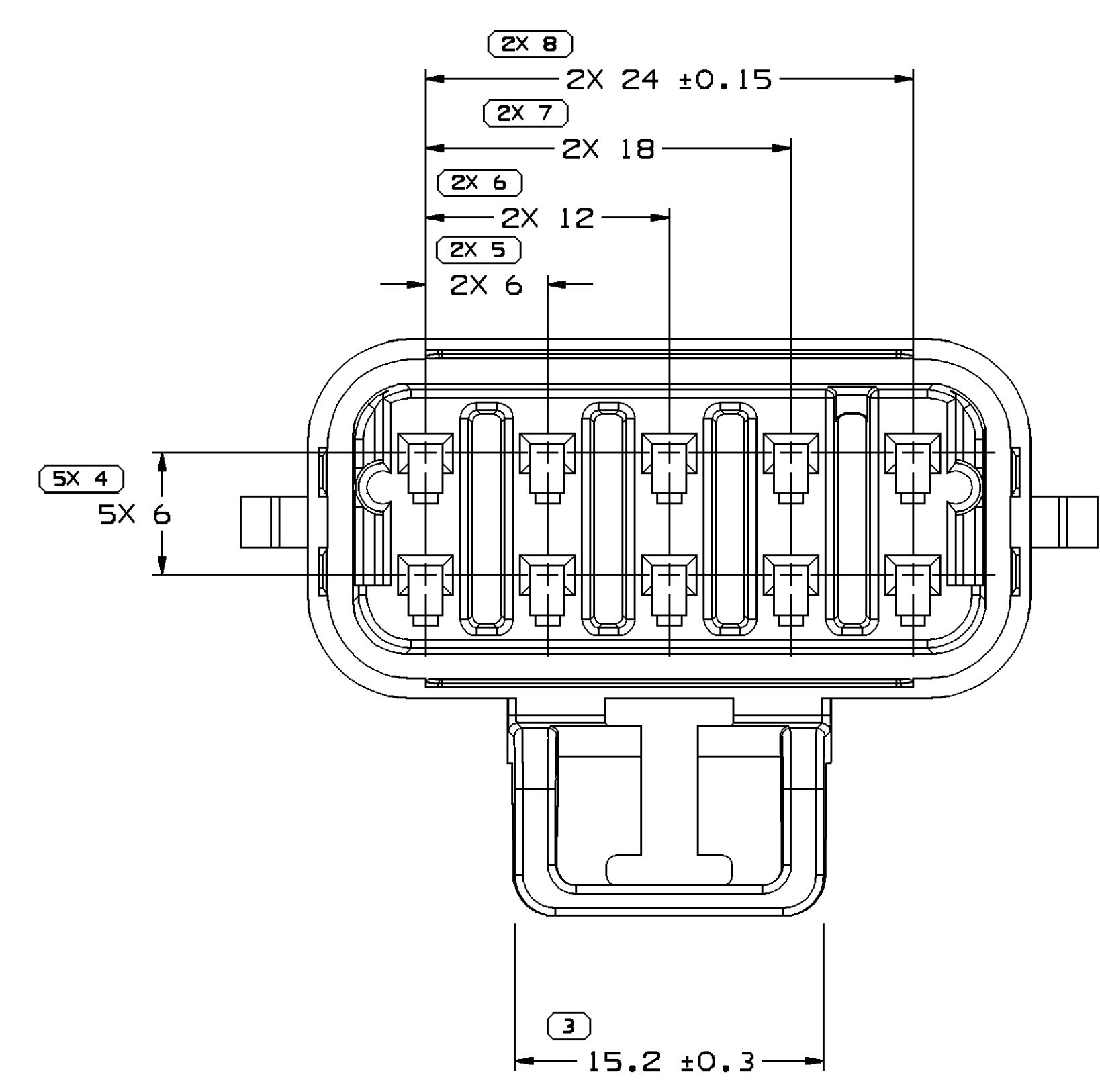


SYMBOL DEFINITION		TOTAL NO OF INSPECTIONS REQUIRED	
A DIMENSION WITHOUT AN INSPECTION REPORT SYMBOL DOES NOT REQUIRE INSPECTION. IT MAY BE CONTROLLED ON THE INDIVIDUAL COMPONENT DRAWING.	( )	20	
		LAST NO. USED	12

DWG STATUS				MISSING SYMBOLS				REVISION HISTORY				AUTH		DR		AP/VD	
DATE	STG	REV	N/P	CHK	ZONE	NO MISSING SYMBOL NUMBER											
22MR00	R	K1	-	-						REDRAWN TO PD	000009	DAA	EAR	0MC			
20AP06	R	K2	-	-						TPA 12177082 WAS 12045810 IN NOTES	279083	8PS	AUG	BDG	M		



OPTIONAL CONSTRUCTION



- NOTES
- UNLESS OTHERWISE SPECIFIED AND/OR INDICATED:  
DIMENSIONS ARE TO FACE OF VIEW SHOWN AND AUTOMATICALLY ROUNDED BY COMPUTER FOR INSPECTION (SEE MATH MODEL FOR PRECISE DIMENSIONS). FOR ALL OTHER DIMENSIONS NOT SHOWN BUT REQUIRED FOR TOOL BUILD, SEE MATH MODEL FOR PRECISE TOOL PATH DATA.
  - REFERENCE MATING COMPONENTS OR EQUIVALENT:  
CONNECTOR 12045808
  - THIS PART ACCEPTS THE FOLLOWING COMPONENTS OR EQUIVALENT:  
TERMINAL 12048074  
TERMINAL POSITION ASSURANCE LOCK 12177082
  - MATERIAL RECYCLING CODE PER ISO 11469. (2,3)X(0,1) CHARACTERS AS SHOWN TO BE LOCATED ON ANY EXTERIOR SURFACE. OPTIONAL CONSTRUCTION TO BE NO MATERIAL RECYCLING CODE.
  - (2,3)X(0,1) DELPHI CORPORATE BRAND TO BE LOCATED ON ANY EXTERIOR SURFACE, PREFERABLY VISIBLE AT FINAL ASSEMBLY. OPTIONAL CONSTRUCTION FOR EXISTING TOOLING MAY BE "PED".

DIMENSIONAL RANGE (MM)		SHORT ET	
FROM	> 0	> 30	> 100
TO	20	70	100
	100	150	200
	200	250	300
	300	400	
TOLERANCE UNLESS OTHERWISE SPECIFIED:			
	±0.15	±0.2	±0.3
	±0.4	±0.5	±0.6
	±0.8	±1	±1.2
ANGULAR TOLERANCE 2°			

**DELPHI**  
DELPHI PACKARD ELECTRIC SYSTEMS  
WARREN, OH

DR	DATE
APV01 J.A. BENITEZ	12MY88
APV02 F. HESTON	28JN88
APV03 G. VANDERLAAN	09AUB8
APV04	
APV05	

UNLESS OTHERWISE SPECIFIED  
THIS DOCUMENT IS IN ACCORDANCE WITH ASME Y14.5M-1994  
AS MODIFIED BY THE IN CHARGE OF DRAWING AND  
TOLERANCE ANALYSIS (TAP). ALL DIMENSIONS UNLESS  
OTHERWISE SPECIFIED ARE IN MILLIMETERS. DIMENSIONS  
AND RELATED DATUMS APPLY UNLESS OTHERWISE NOTED.  
DIMENSIONS NOT APPLICABLE TO RELATED FEATURES  
IS ESTABLISHED BY ORIENTATION OR LOCATION TOLERANCES.  
SEPARATE POSITION CALLOUTS MAY BE SHOWN SEPARATELY,  
REGARDLESS OF DATUM REFERENCE.  
ALL DIMENSIONS ARE IN MILLIMETERS.

SCALE	FRAME NO	SHEET NO	REV	N/P
A0	4:1	1 OF 1	1	R K2 -

DWG TYPE: PART DRAWING

STYLE: 6,664

DISTR CODE: D

UNLESS OTHERWISE SPECIFIED

THIRD ANGLE PROJECTION

DO NOT SCALE

USE MATH DATA

DRAWING NAME: CONN 10 F M/P 150 BLK SEALED

DRAWING NUMBER: 12045809

## X-ON Electronics

Largest Supplier of Electrical and Electronic Components

*Click to view similar products for [Automotive Connectors](#) category:*

*Click to view products by [APTIV](#) manufacturer:*

Other Similar products are found below :

[003-018-000](#) [60403001](#) [60993906-B](#) [629515004020001](#) [M902-2131](#) [M902-2161](#) [72.330.1035.1](#) [73.353.4028.0](#) [F119300-B](#) [F166900](#)  
[F258300-B](#) [F358300-B](#) [F407400](#) [F444110](#) [F487000](#) [F509500B-B](#) [827153-1](#) [8N1515-32-24P](#) [9-1326729-8](#) [925474-1](#) [928905-1](#) [964562-4](#)  
[968782-1](#) [GT17SA-8DS-HU](#) [98891-1012](#) [98947-1016](#) [12004475-L](#) [12010290](#) [12010309-B](#) [12015454](#) [12020219-B](#) [12020308](#) [12041318-B](#)  
[12052225-L](#) [12052466](#) [12059125](#) [12064869](#) [12004327-B](#) [12010503-B](#) [12015308](#) [12015384](#) [12015909](#) [1-21030-1](#) [12041254](#) [12041318](#)  
[12047946-B](#) [12047957](#) [12047957-L](#) [12059473](#) [12066261](#)