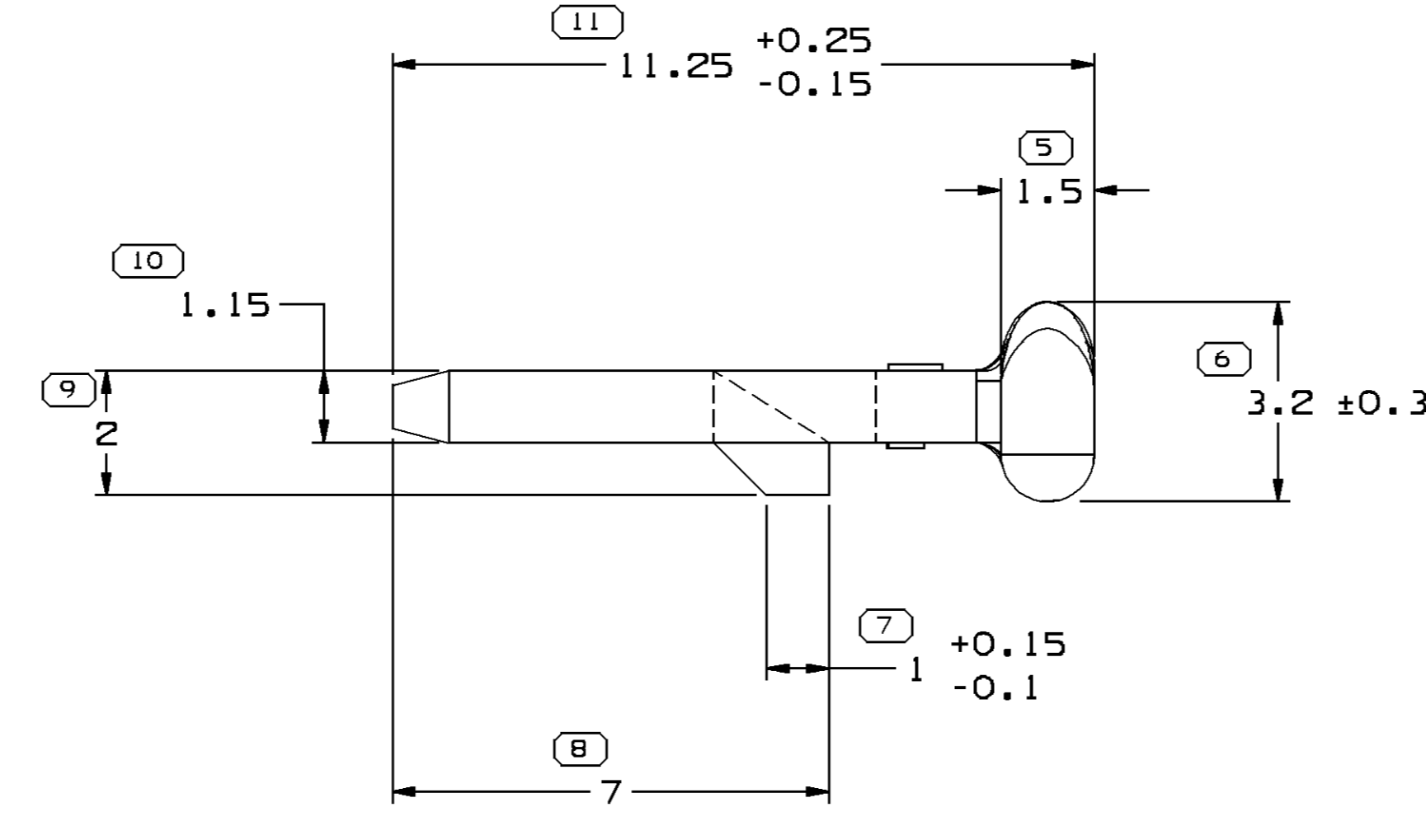
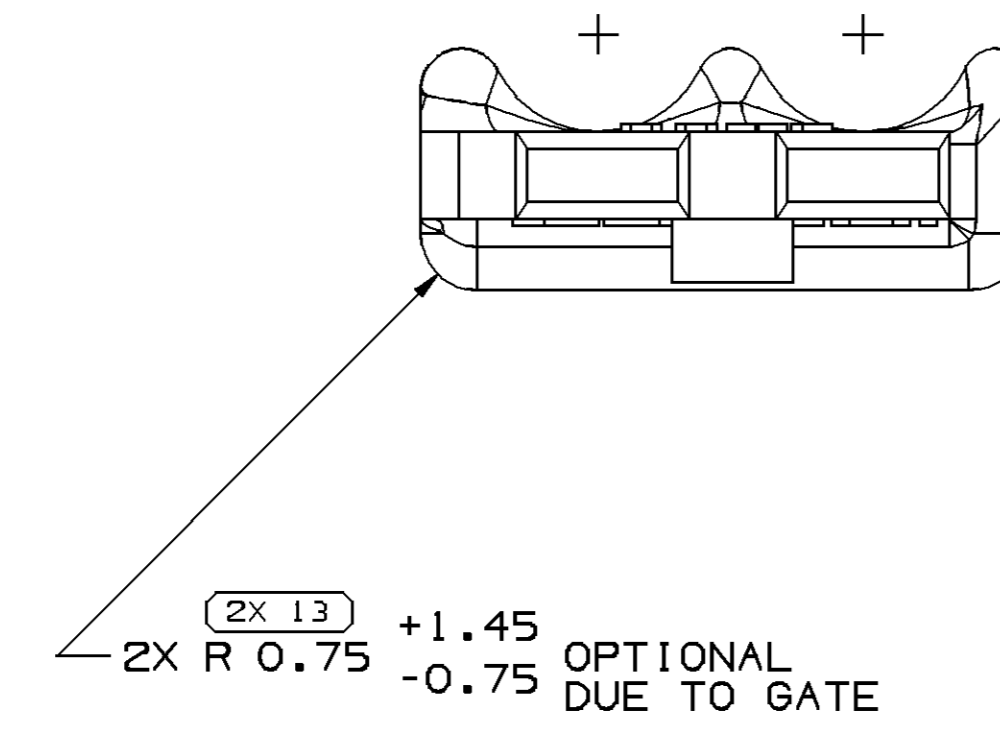
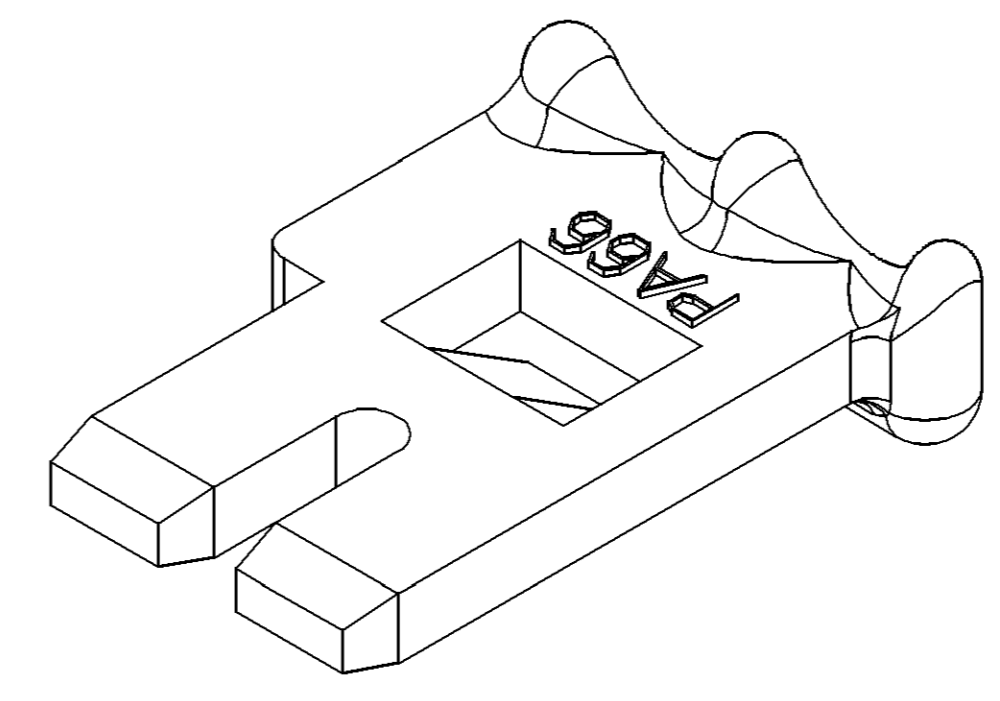
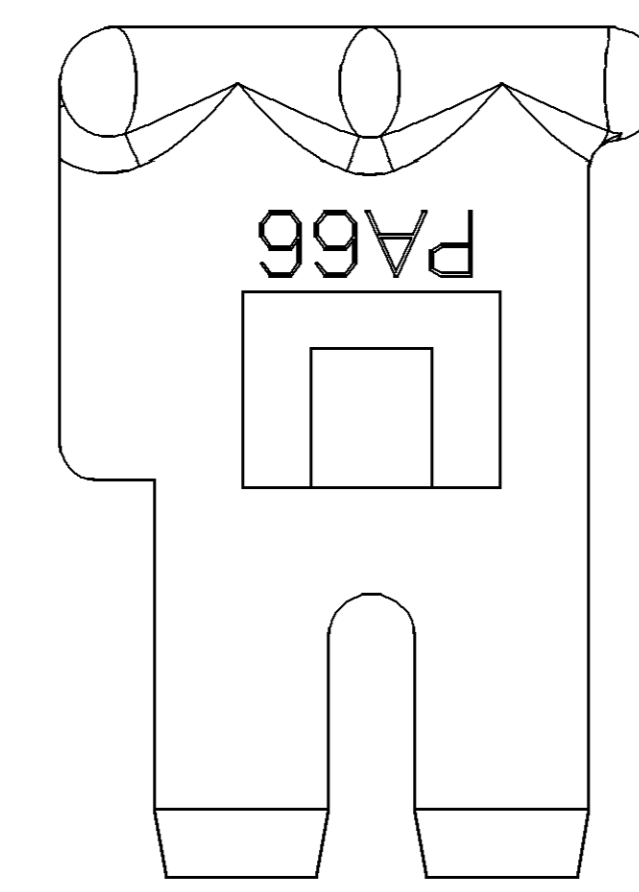
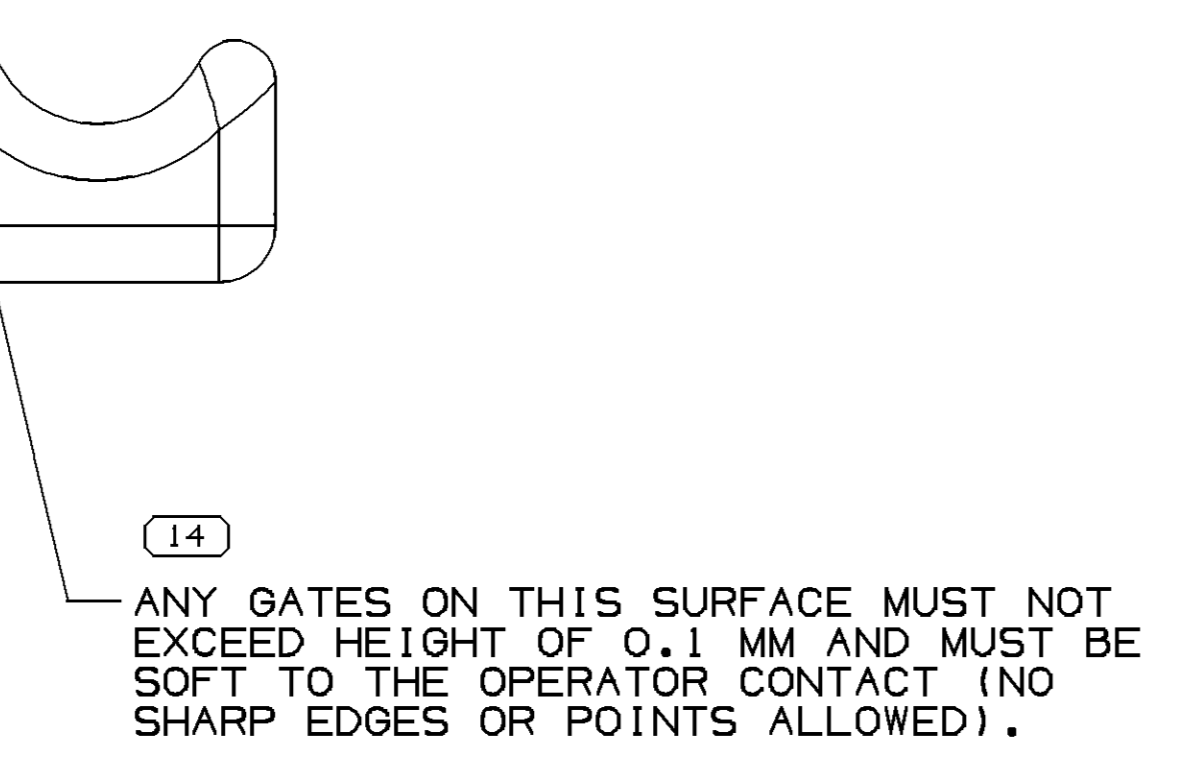
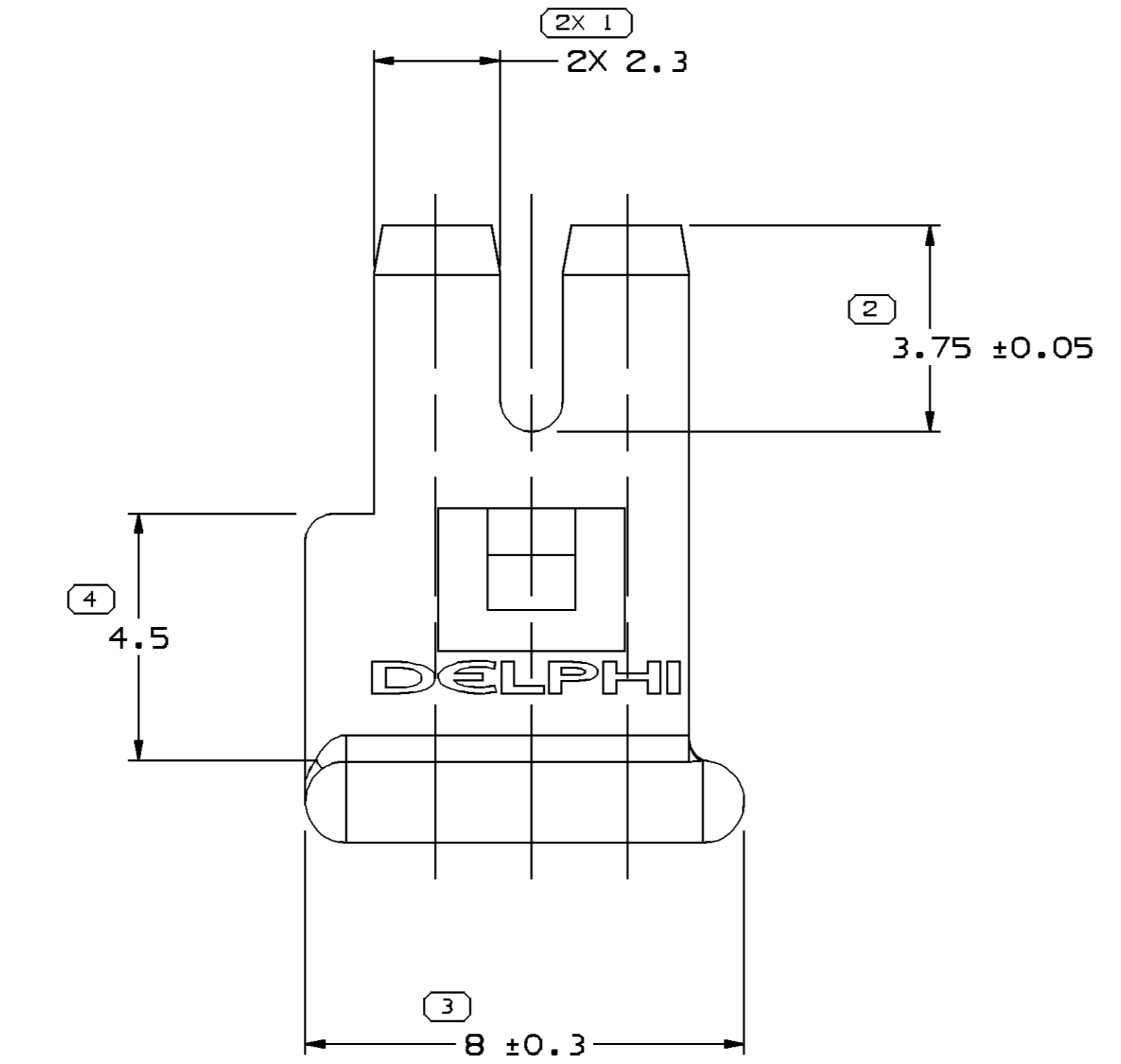


| SYMBOL DEFINITION | | TOTAL NO OF INSPECTIONS REQUIRED | MISSING SYMBOLS |
|--|--|----------------------------------|--------------------------|
| A DIMENSION WITHOUT AN INSPECTION REPORT SYMBOL DOES NOT REQUIRE INSPECTION. IT MAY BE CONTROLLED ON THE INDIVIDUAL COMPONENT DRAWING. | | 16 | NO MISSING SYMBOL NUMBER |
| LAST NO. USED | | 14 | |

| DWG STATUS | | | | REVISION HISTORY | | | | AUTH | DR | APV'D |
|------------|-----|-----|-----|------------------|------|--|--------|------|-----|-------|
| DATE | STG | REV | N/P | CHG | ZONE | | | | | |
| 01M102 | R | AB | - | - | | CLEARED REVISION COLUMN, ADDED OPTIONAL CONSTRUCTION, NOTE, DIMENSION & REVISED MAT'L SPEC | 223852 | LEB | BEG | GM |
| 12A003 | R | A9 | - | - | | UPDATED PDM ATTRIBUTES | 244613 | GMZ | GMZ | GM |
| 08N006 | R | 01 | AK | - | | 12047664 RESTRICTED REPLACED BY 15324070 | 286563 | MM | MM | BG |



12 NO GATES, PROTRUSIONS OR SHARP EDGES ALLOWED ON THIS SURFACE.



14 ANY GATES ON THIS SURFACE MUST NOT EXCEED HEIGHT OF 0.1 MM AND MUST BE SOFT TO THE OPERATOR CONTACT (NO SHARP EDGES OR POINTS ALLOWED).

OPTIONAL CONSTRUCTION

RESTRICTED USAGE
REPLACED BY
15324070

NOTES

- UNLESS OTHERWISE SPECIFIED AND/OR INDICATED: DIMENSIONS ARE TO FACE OF VIEW SHOWN AND AUTOMATICALLY ROUNDED BY COMPUTER FOR INSPECTION (SEE MATH MODEL FOR PRECISE DIMENSIONS). FOR ALL OTHER DIMENSIONS NOT SHOWN BUT REQUIRED FOR TOOL BUILD, SEE MATH MODEL FOR PRECISE TOOL PATH DATA.
- MATERIAL RECYCLING CODE >PA66< PER SAE J1344. (2.3)X(0.1) RAISED CHARACTERS AS SHOWN TO BE LOCATED ON ANY EXTERIOR SURFACE. OPTIONAL CONSTRUCTION TO BE NO MATERIAL RECYCLING CODE.
- THIS PART IS NOT CONTROLLED FOR AUTOMATIC FEEDING.
- MATING COMPONENTS OR EQUIVALENT: CONNECTOR 12047662 & 12047785
- (2.3)X(0.1) RAISED DELPHI CORPORATE BRAND TO BE LOCATED ON ANY EXTERIOR SURFACE, PREFERABLY VISIBLE AT FINAL ASSEMBLY. OPTIONAL CONSTRUCTION TO BE "PED" OR NO LOGO.

| | |
|--|-----------------|
| DWG TYPE PART DRAWING | |
| STYLE | |
| VOLUME 10/P 0,085 | DISTR CODE D |
| UNLESS OTHERWISE SPECIFIED THIS DOCUMENT IS IN ACCORDANCE WITH ASME Y14.5M-1994 AS INDICATED BY THE M. DIMENSIONS ARE TO FACE UNLESS OTHERWISE SPECIFIED. TOLERANCE UNLESS OTHERWISE SPECIFIED: [±0.15] ±0.2 ±0.3 ±0.4 ±0.5 ±0.6 ±0.8 ±1 ±1.2 ANGULAR TOLERANCE 32° | |
| ALL DIMENSIONS ARE IN MILLIMETERS | |
| THIRD ANGLE PROJECTION | |
| DO NOT SCALE | USE MATH DATA |

| | |
|---|---------------|
| DELPHI | |
| DELPHI PACKARD ELECTRIC SYSTEMS WARREN, OH | |
| DR | DATE |
| APV'D1 E. VAZQUEZ | 15JNO1 |
| APV'D2 E. VAZQUEZ | 15JNO1 |
| APV'D3 G. MACIAS | 18JNO1 |
| APV'D4 | |
| APV'D5 | |
| SUBSTANCES OF CONCERN AND RECYCLED CONTENT PER DELPHI 1094001 | |
| MATERIAL: W3592025 PA66 HS 1M GRA MD | |
| DRAWING NAME LOCK SECONDARY TPA M/P GRA MD | |
| DRAWING NUMBER 12047664 | |
| SIZE AO | SCALE 10:1 |
| FRAME NO 1 | SHEET NO 1 |
| REV R | N/P 01 |

X-ON Electronics

Largest Supplier of Electrical and Electronic Components

Click to view similar products for [Automotive Connectors](#) category:

Click to view products by [APTIV](#) manufacturer:

Other Similar products are found below :

[003-018-000](#) [60403001](#) [60993906-B](#) [629515004020001](#) [M902-2131](#) [M902-2161](#) [72.330.1035.1](#) [73.353.4028.0](#) [F119300-B](#) [F166900](#)
[F258300-B](#) [F358300-B](#) [F407400](#) [F444110](#) [F487000](#) [F509500B-B](#) [827153-1](#) [8N1515-32-24P](#) [9-1326729-8](#) [925474-1](#) [928905-1](#) [964562-4](#)
[968782-1](#) [GT17SA-8DS-HU](#) [98891-1012](#) [98947-1016](#) [12004475-L](#) [12010290](#) [12010309-B](#) [12015454](#) [12020219-B](#) [12020308](#) [12041318-B](#)
[12052225-L](#) [12052466](#) [12059125](#) [12064869](#) [12004327-B](#) [12010503-B](#) [12015308](#) [12015384](#) [12015909](#) [1-21030-1](#) [12041254](#) [12041318](#)
[12047946-B](#) [12047957](#) [12047957-L](#) [12059473](#) [12066261](#)