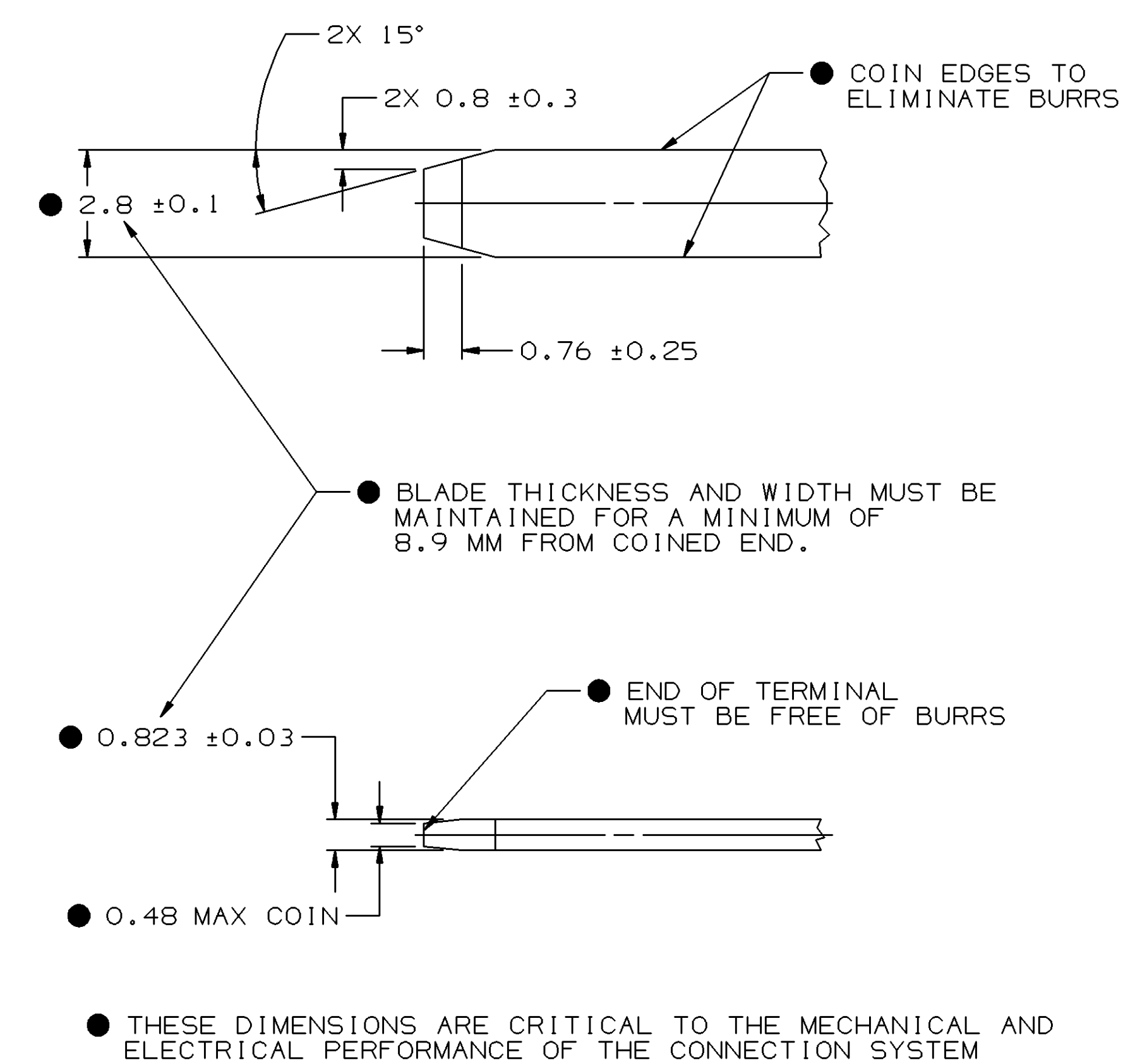


SYMBOL DEFINITION		TOTAL NO OF INSPECTIONS REQUIRED	MISSING SYMBOLS
A DIMENSION WITHOUT AN INSPECTION REPORT SYMBOL DOES NOT REQUIRE INSPECTION. IT MAY BE CONTROLLED ON THE INDIVIDUAL COMPONENT DRAWING.		14	NO MISSING SYMBOL NUMBER
		LAST NO. USED	8

DATE	STG	REV	N/P	CHG	ZONE	REVISION HISTORY	AUTH	DR	APVD	1	2
12MR04	R	01	-	-	-	ALL PARTS - CLEARED REV COLUMN AND REDRAWN TO PD; 12162455 - MAT'L SPEC WAS PM000661	253126	JTZ	JAA	TPM	
30SE04	R	02	-	-	-	12047976 MATL WAS R0063519 PP-BLU 12041301 MATL WAS R0061354 PP-BLK 12034347 MATL WAS R0063781 PP-GRN 12015416 MATL WAS PM000661-001 PP-NAT ALL PARTS "A" IN CHART WAS "STG" UPDATED FORMAT AND REVISED NOTES 2 & 4	259049	BRB	BRB	ET	
11MY05	R	03	-	-	-	12015416, 12041301, 12047976 & 12162455 - ADDED GATE VESTAGE NOTE; 12034347 - OBSOLETE	267970	MDH	JAA	WTM	



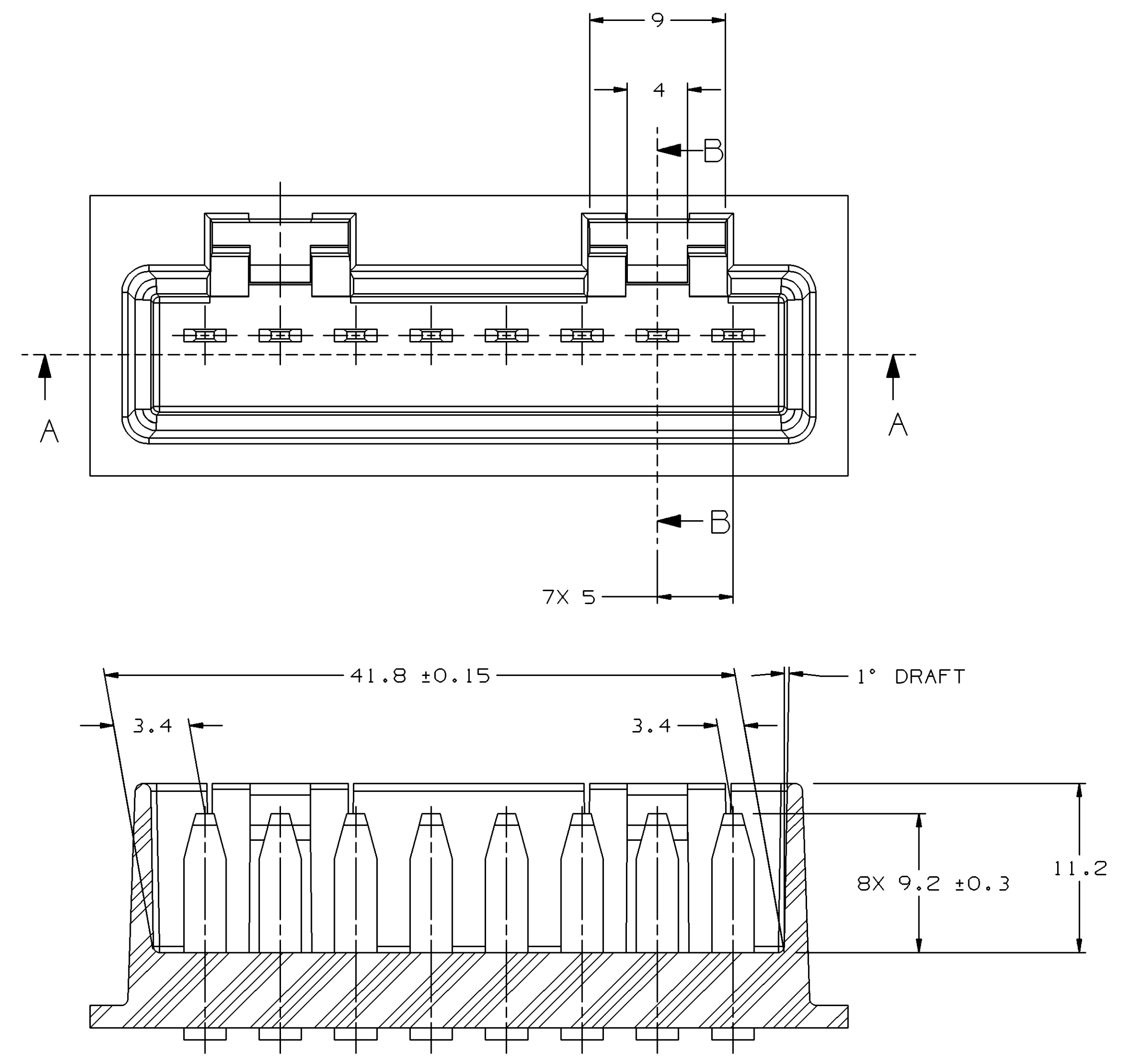
● THESE DIMENSIONS ARE CRITICAL TO THE MECHANICAL AND ELECTRICAL PERFORMANCE OF THE CONNECTION SYSTEM

MATERIAL SPECIFICATIONS

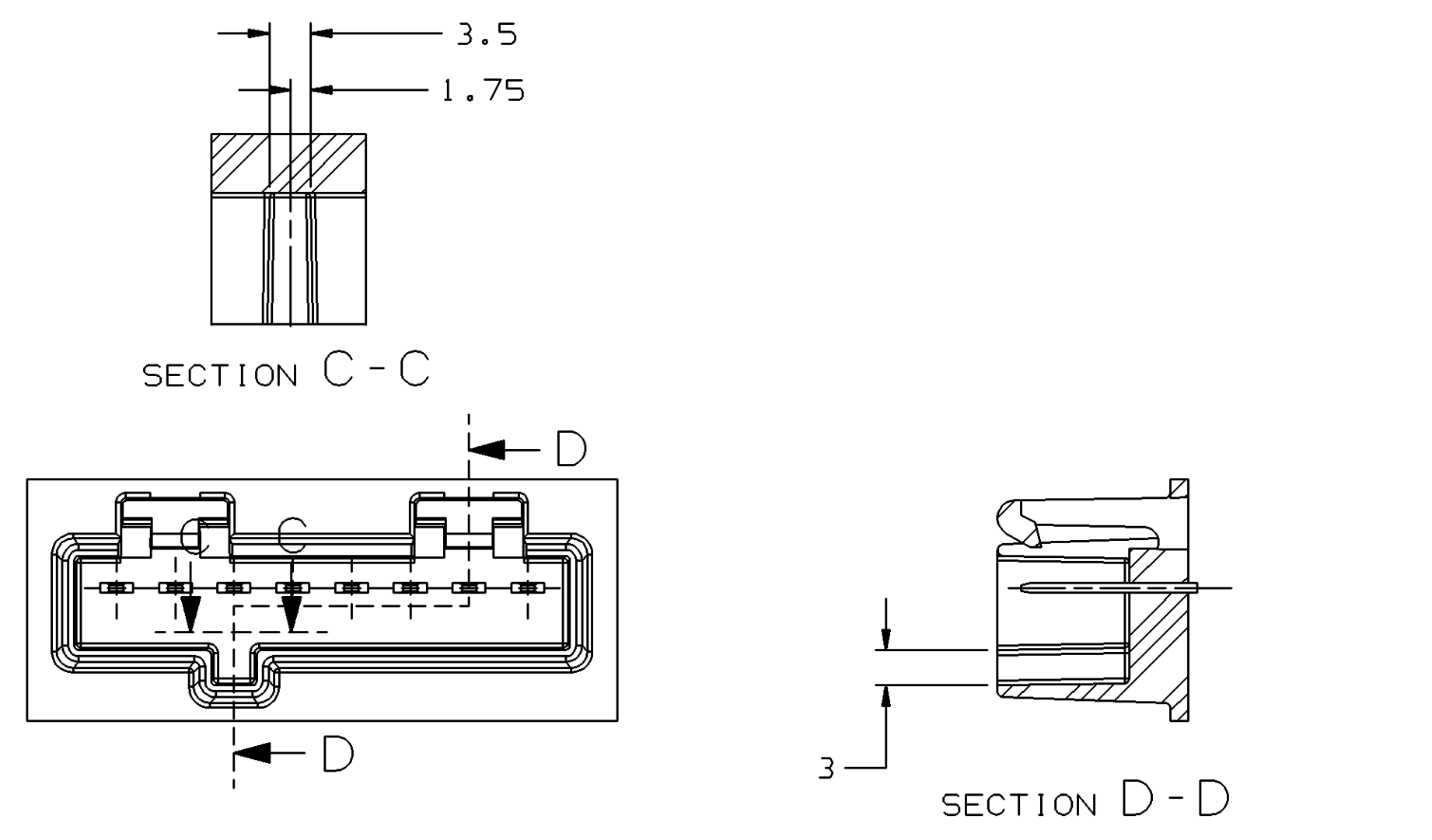
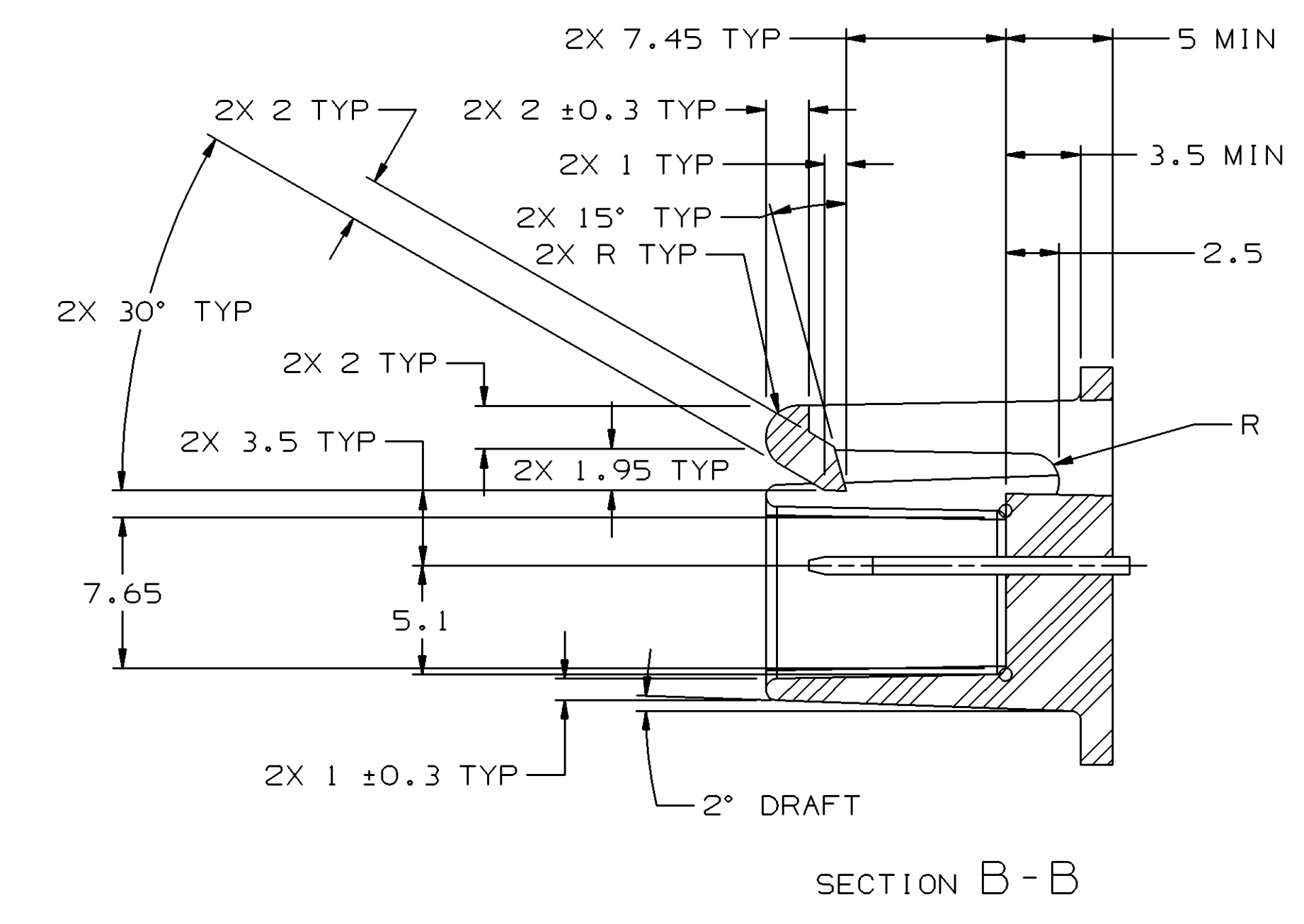
RECOMMENDED
BASE METAL - CDA-210, EXTRA SPRING TEMPER
PLATING - 0.0050±0.0025 MM THICK TIN

MINIMUMS
ELECTRICAL CONDUCTIVITY - ≥20% IACS AT 20°C. USE OF A MATERIAL WITH CONDUCTIVITY <20% IACS MUST BE APPROVED BY PACKARD ELECTRIC MATERIALS ENGINEERING.
TENSILE STRENGTH - 407 MPa
PLATING - FOR LOW ENERGY (≤5V) AND NON-PASSENGER COMPARTMENT POWER CIRCUITS, 0.0050±0.0025 MM THICK TIN. FOR MATERIALS CONTAINING 10% OR MORE ZINC, AN UNDERPLATE OF COPPER 0.0050±0.0025 MM THICK IS REQUIRED.

MATING BLADE INFORMATION
SCALE 8:1



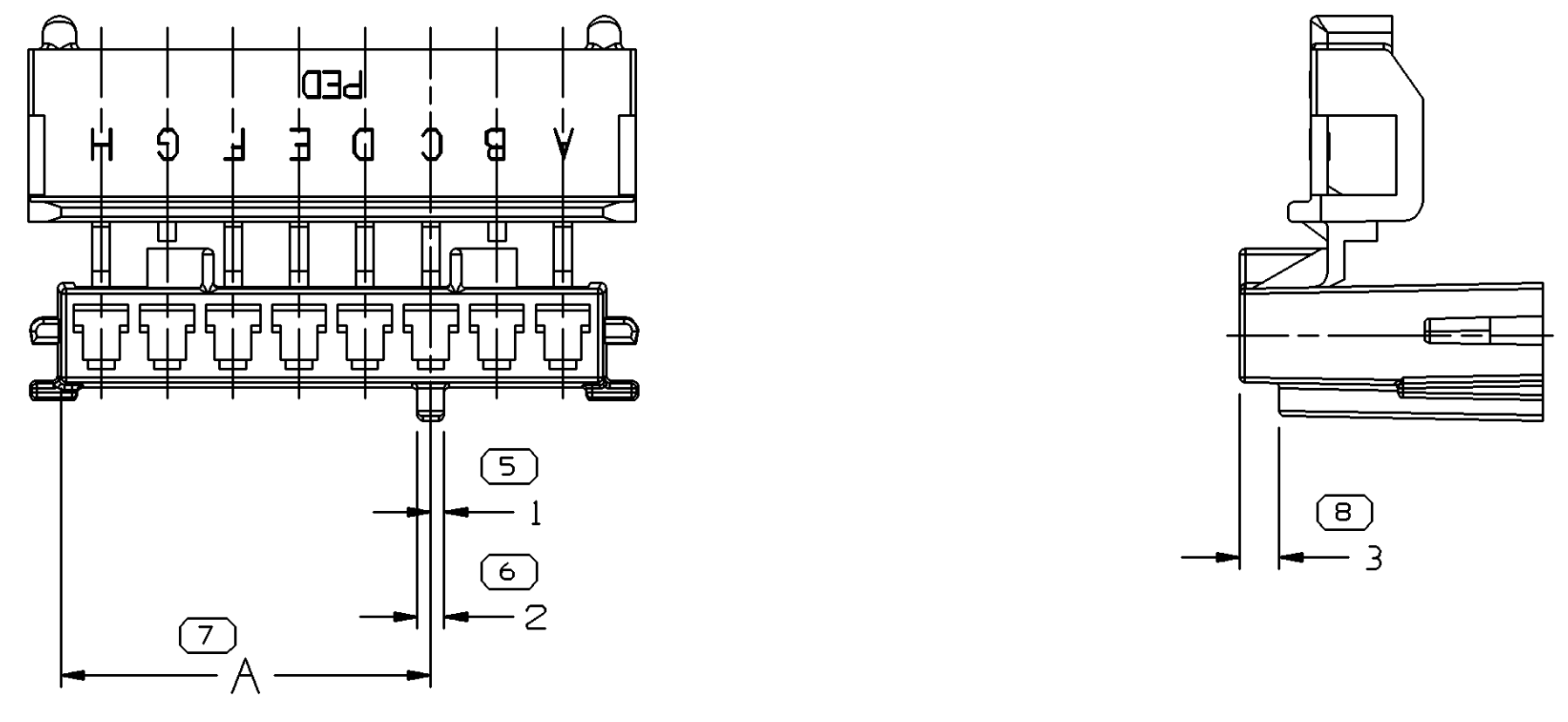
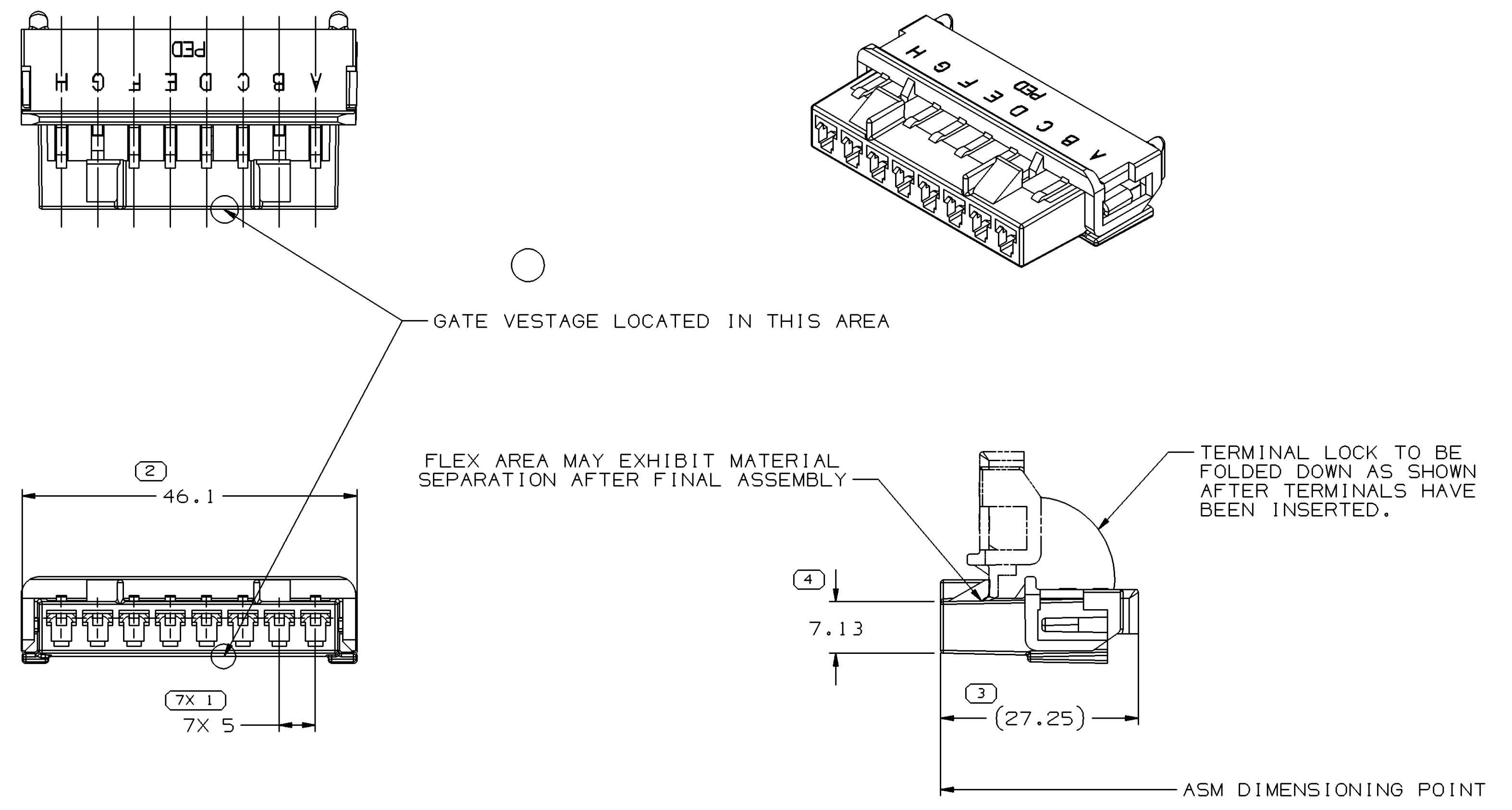
MATING SHROUD INFORMATION
SCALE 4:1



INDEX (WHEN INDICATED IN CHART)

NOTES

- UNLESS OTHERWISE SPECIFIED AND/OR INDICATED:
DIMENSIONS ARE TO FACE OF VIEW SHOWN AND AUTOMATICALLY ROUNDED BY COMPUTER FOR INSPECTION (SEE MATH MODEL FOR PRECISE DIMENSIONS). FOR ALL OTHER DIMENSIONS NOT SHOWN BUT REQUIRED FOR TOOL BUILD, SEE MATH MODEL FOR PRECISE TOOL PATH DATA.
- SUGGESTED MATERIAL: NYLON OR UNMODIFIED POLYESTER.



NOTES

- UNLESS OTHERWISE SPECIFIED AND/OR INDICATED:
DIMENSIONS ARE TO FACE OF VIEW SHOWN AND AUTOMATICALLY ROUNDED BY COMPUTER FOR INSPECTION (SEE MATH MODEL FOR PRECISE DIMENSIONS). FOR ALL OTHER DIMENSIONS NOT SHOWN BUT REQUIRED FOR TOOL BUILD, SEE MATH MODEL FOR PRECISE TOOL PATH DATA.
- MATERIAL RECYCLING CODE >PP< PER SAE J1344. (2.3)X(0.1) RAISED CHARACTERS AS SHOWN TO BE LOCATED ON ANY EXTERIOR SURFACE. OPTIONAL CONSTRUCTION TO BE NO MATERIAL RECYCLING CODE.
- CAVITIES TO ACCEPT 12015824 TERMINAL OR EQUIVALENT (MAX: SINGLE CABLE 2 MM)
- (2.3)X(0.1) RAISED DELPHI CORPORATE BRAND TO BE LOCATED ON ANY EXTERIOR SURFACE, PREFERABLY VISIBLE AT FINAL ASSEMBLY. OPTIONAL CONSTRUCTION TO BE "PED" OR NO LOGO.

PART NO	REV/N/P	STATUS	MATERIAL SPECIFICATION AND COLOR	INDEX RIB	A	MATING CONNECTOR	VOL CM³
12162455	02	AA	M2097002 PP-1M NAT	X	20.55		4.728
12047976	04	AA	M2097008 PP 1M BLU	X	13.05	DELCO MODULE	4.728
12041301	05	AA	M2097001 PP 1M BLK	X	28.05	DELCO MODULE	4.728
12034347	03	AA	M2097003 PP 1M GRA	-	-	12041225 OR EQUIVALENT	4.628
12015416	03	AA	M2097002 PP 1M NAT	-	-	12041225 OR EQUIVALENT	4.628

DIMENSIONAL RANGE (MM)	TOLERANCE UNLESS OTHERWISE SPECIFIED
FROM > 0	> 0.15
TO > 20	> 0.3
> 20	> 0.4
> 30	> 0.5
> 40	> 0.6
> 50	> 0.8
> 60	> 1.0
> 70	> 1.2
> 80	> 1.5
> 90	> 1.8
> 100	> 2.0
> 150	> 2.5
> 200	> 3.0
> 250	> 3.5
> 300	> 4.0
> 400	> 5.0

DRW TYPE	PART DRAWING
VOLUME (CM³)	DISTR CODE
UNLESS OTHERWISE SPECIFIED	
THIS DOCUMENT IS IN ACCORDANCE WITH ASME Y14.5M-1994 AS AMENDED BY THE 2003 DIMENSIONING AND TOLERANCING ADDENDUM (2003). SEPARATE PATTERNING FEATURES MAY BE DIMED SEPARATELY REGARDLESS OF DATUM REFERENCES.	
ALL DIMENSIONS ARE IN MILLIMETERS	
THIRD ANGLE PROJECTION	DO NOT SCALE
USE MATH DATA	UNSPRINGS

DELPHI
DELPHI PACKARD ELECTRIC SYSTEMS
WARREN, OH

DR	DATE
APVD1 JEFF REEVES	080CB7
APVD2 R. W. GLEASON	04DEB7
APVD3 A. WINGARD	05JAB8
APVD4	
APVD5	

SUBSTANCES OF CONCERN AND RECYCLED CONTENT PER DELPHI 10949001

MATERIAL SEC CHART

DRAWING NAME
TAXI CONN B F M/P 280 SLD

DRAWING NUMBER
12034354

SIZE A0
SCALE 2:1
FRAME NO 1 OF 1
SHEET NO 1 OF 1
STG REV N/P R 03

X-ON Electronics

Largest Supplier of Electrical and Electronic Components

Click to view similar products for [Automotive Connectors](#) category:

Click to view products by [APTIV](#) manufacturer:

Other Similar products are found below :

[003-018-000](#) [60403001](#) [60993906-B](#) [629515004020001](#) [M902-2131](#) [M902-2161](#) [72.330.1035.1](#) [73.353.4028.0](#) [F119300-B](#) [F166900](#)
[F258300-B](#) [F358300-B](#) [F407400](#) [F444110](#) [F487000](#) [F509500B-B](#) [827153-1](#) [8N1515-32-24P](#) [9-1326729-8](#) [925474-1](#) [928905-1](#) [964562-4](#)
[968782-1](#) [GT17SA-8DS-HU](#) [98891-1012](#) [98947-1016](#) [12004475-L](#) [12010290](#) [12010309-B](#) [12015454](#) [12020219-B](#) [12020308](#) [12041318-B](#)
[12052225-L](#) [12052466](#) [12059125](#) [12064869](#) [12004327-B](#) [12010503-B](#) [12015308](#) [12015384](#) [12015909](#) [1-21030-1](#) [12041254](#) [12041318](#)
[12047946-B](#) [12047957](#) [12047957-L](#) [12059473](#) [12066261](#)