

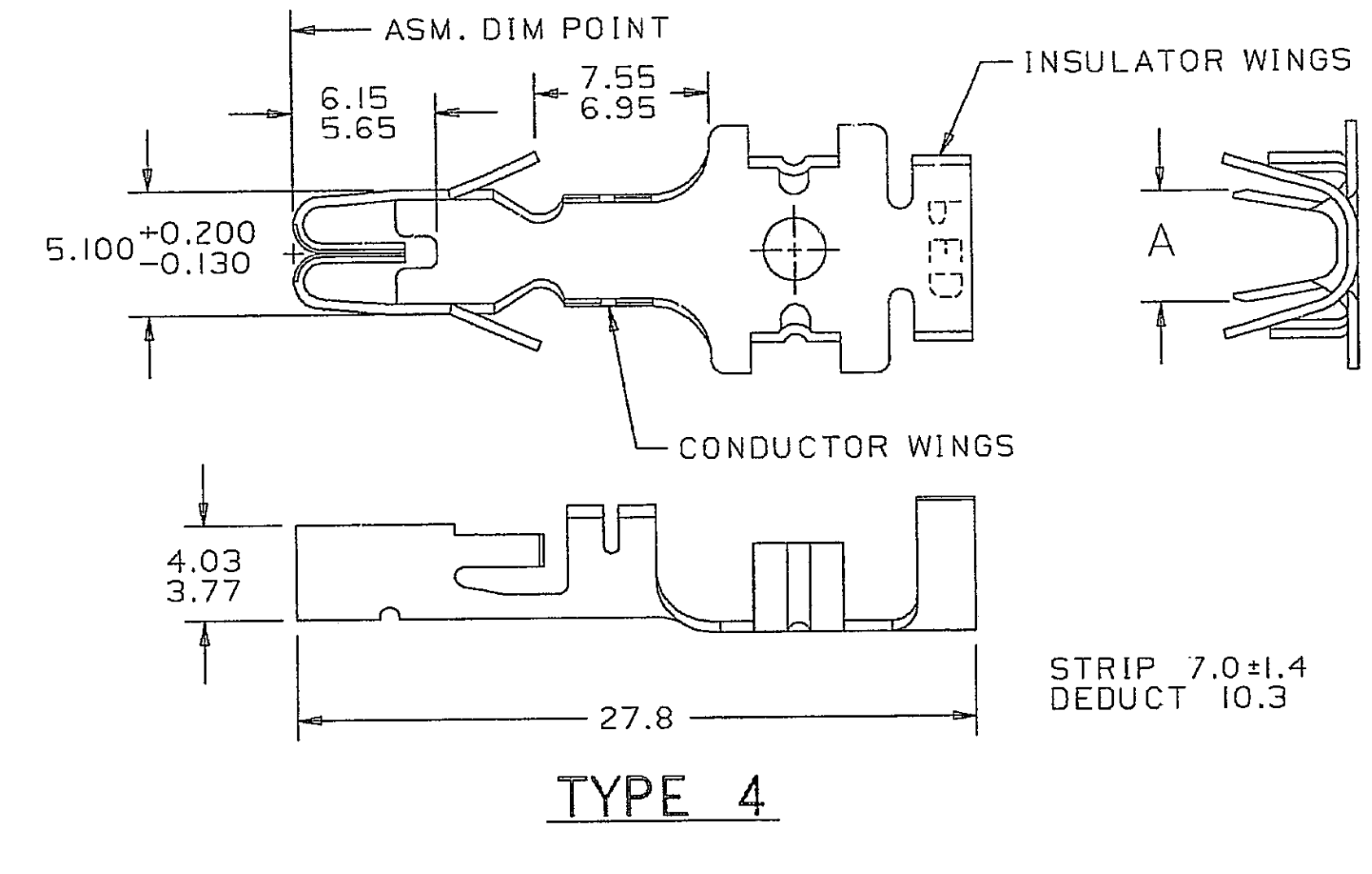
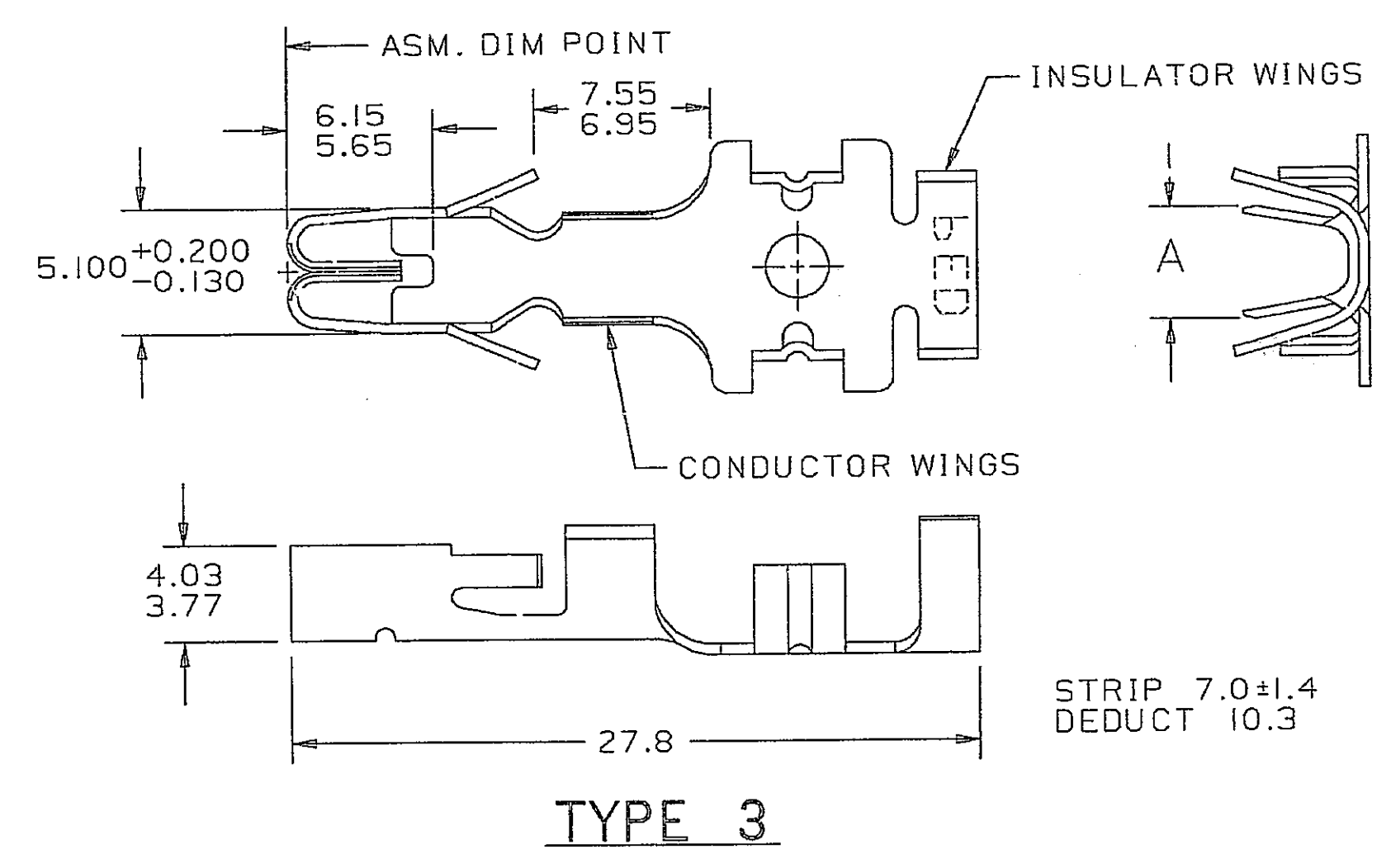
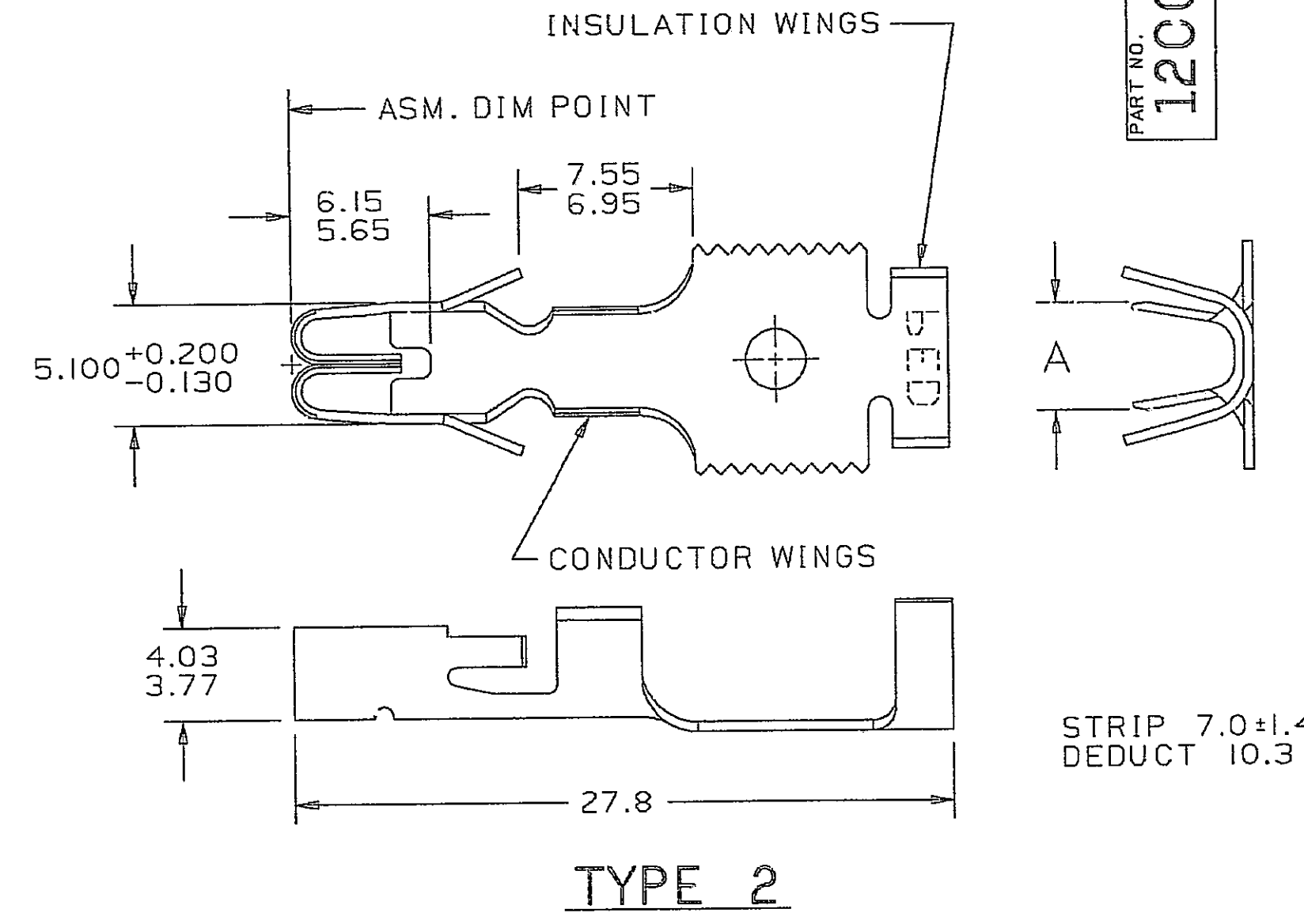
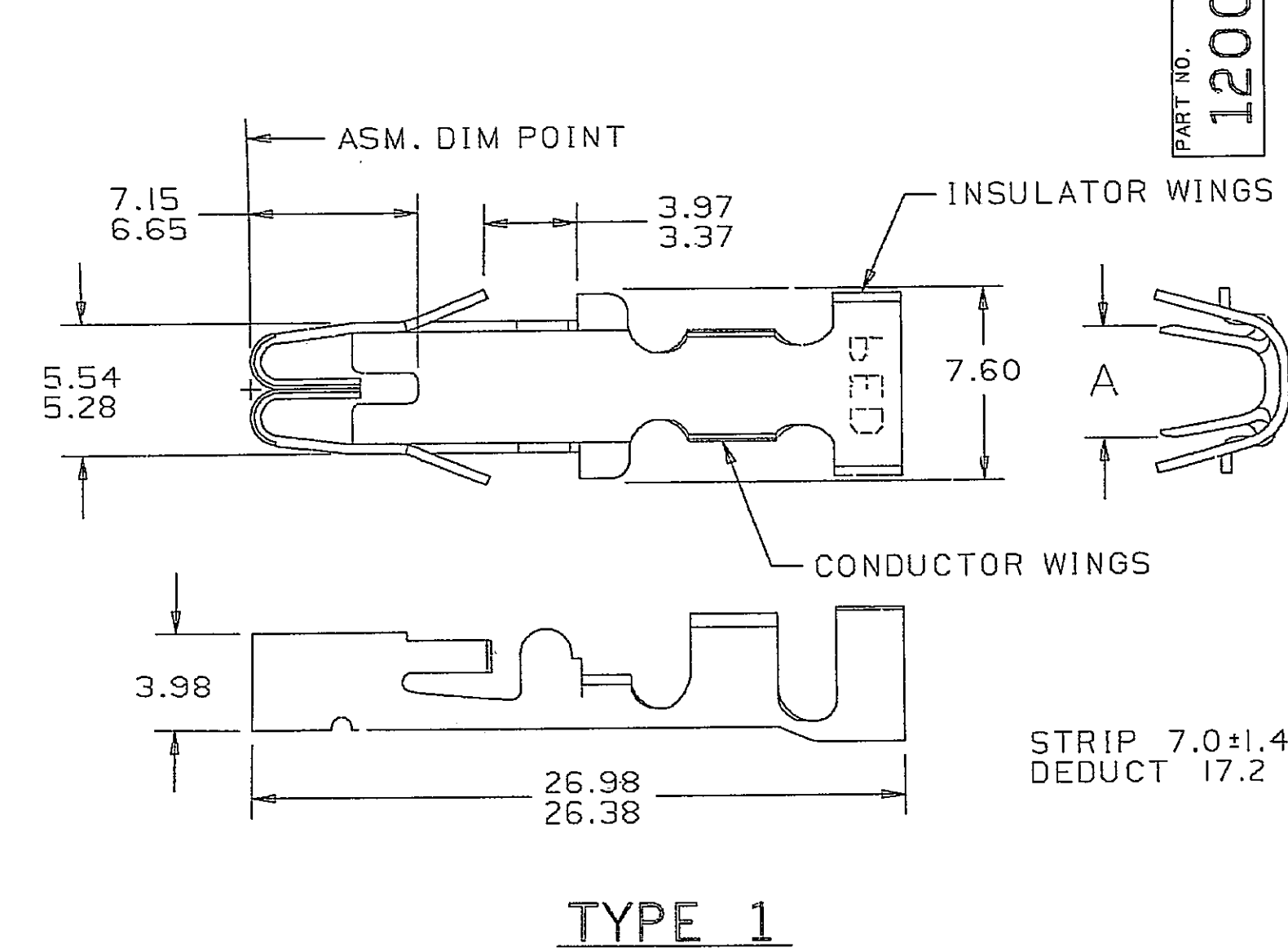
D

THIS DRAWING AND DESIGN HEREON CONSTITUTE A PROPRIETARY DESIGN OF PACKARD ELECTRIC DIVISION AND IS NOT TO BE DUPLICATED OR REPRODUCED WITHOUT AUTHORITY OF PACKARD ELECTRIC DIVISION.

DO NOT SCALE

PART NO. 1200 4552

PART NO. 1200 4552



PACKARD ELECTRIC DIVISION  
GENERAL MOTORS CORPORATION  
WARREN, OHIO

PART NO.	REV.	STATUS	MATERIAL	PART NO.	REV.	STATUS	TYPE	SIZE (MM <sup>2</sup> )	DIA.	I.D.	A
12089823	B1		0.406 THK SAE CA 260 BRASS	12010636	A	F1	1	2.0-1.0	3.95	15	4.4
			0.406 THK SAE CA 260 COPPER	12078138	B1		4	2.0-1.0	3.95	15	3.3
			0.406 THK SAE CA 260 COPPER	12078136	B1		4	5.0-3.0	5.10	11	4.6
12078033	B1	OBSOLETE	0.406 THK SAE CA 260 BRASS	12078137	A	B1	4	2.0-1.0	3.95	15	3.3
12078032	B1	OBSOLETE	0.406 THK SAE CA 260 BRASS				4	5.0-3.0	5.10	11	4.6
12078031	B1	OBSOLETE	0.406 THK SAE CA 260 BRASS				2	0.8-0.5	3.10	19	3.8
12066447	A	OBSOLETE	0.406 THK SAE CA 260 BRASS				2	3.0	3.10	12	4.6
12052443	B1		0.406 THK SAE CA 260 BRASS				1	3.0	3.10	12	4.6
12052209	B1		0.406 THK SAE CA 260 BRASS				1	1.0	2.25	16	4.4
12052208	B1		0.406 THK SAE CA 260 BRASS	12048293	A	OBSOLETE	2	0.8-0.5	3.10	19	3.8
			0.406 THK SAE CA 195 COPPER	12048291	A	A1	2	2.0-1.0	3.95	15	4.4
			0.406 THK SAE CA 195 COPPER	12048290	A	A1	2	5.0-3.0	5.10	11	4.6
			0.406 THK SAE CA 195 COPPER	12048289	A	OBSOLETE	2	TWO 2.0-1.0	3.10	215	6.0
			0.406 THK SAE CA 195 COPPER	12048281	B1		1	TWO 0.8-0.5	2.55	219	4.7
			0.406 THK SAE CA 195 COPPER	12048280	A	OBSOLETE	1	TWO 2.0-1.0	3.10	215	6.0
			0.406 THK SAE CA 195 COPPER	12048279	B1		1	0.8-0.5	3.10	19	3.8
			0.406 THK SAE CA 195 COPPER	12048278	B1		1	2.0-1.0	3.95	15	4.4
			0.406 THK SAE CA 195 COPPER	12048277	B1		1	5.0-3.0	5.10	11	4.6
12020400	E1		0.406 THK SAE CA 260 BRASS	12089953	B1		2	2.0-1.0	3.95	15	4.4
12020338	D1		0.406 THK SAE CA 260 BRASS	2010637	A	E1	2	5.0-3.0	5.10	11	4.6
12020337	D1		0.406 THK SAE CA 260 BRASS				1	TWO 0.8-0.5	2.55	219	4.7
12020336	E1	OBSOLETE	0.406 THK SAE CA 260 BRASS	12089952	B1		1	TWO 2.0-1.0	3.10	215	6.0
12020335	E1		0.406 THK SAE CA 260 BRASS				1	0.8-0.5	3.10	19	3.8
12020334	E1		0.406 THK SAE CA 260 BRASS	12089951	B1		1	2.0-1.0	3.95	15	4.4
12020321	E1		0.406 THK SAE CA 260 BRASS	2089950	B1		1	0.35-0.22	1.86	23	2.2
12015373	E1		0.406 THK SAE CA 260 BRASS				3	TWO 0.8-0.5	2.55	219	4.7
12004582	A	OBSOLETE	0.406 THK SAE CA 260 BRASS				3	TWO 2.0-1.0	3.10	215	6.0
12004581	A	OBSOLETE	0.406 THK SAE CA 260 BRASS				3	0.8-0.5	3.10	19	3.1
12004580	A	OBSOLETE	0.406 THK SAE CA 260 BRASS				3	2.0-1.0	3.95	15	3.7
12004579	A	OBSOLETE	0.406 THK SAE CA 260 BRASS				3	5.0-3.0	5.10	11	4.6
12004578	A	OBSOLETE	0.406 THK SAE CA 260 BRASS				2	TWO 2.0-1.0	3.10	215	6.0
12004562	D1	OBSOLETE	0.406 THK SAE CA 260 BRASS				2	TWO 0.8-0.5	2.55	219	4.7
12004561	D1	OBSOLETE	0.406 THK SAE CA 260 BRASS				2	0.8-0.5	3.10	19	3.8
12004560	E1	OBSOLETE	0.406 THK SAE CA 260 BRASS				2	2.0-1.0	3.95	15	4.4
12004559	E	OBSOLETE	0.406 THK SAE CA 260 BRASS				2	5.0-3.0	5.10	11	4.6
12004558	D	OBSOLETE	0.406 THK SAE CA 260 BRASS				1	TWO 0.8-0.5	2.55	219	4.7
12004557	E	OBSOLETE	0.406 THK SAE CA 260 BRASS				1	TWO 2.0-1.0	3.10	215	6.0
12004556	E	OBSOLETE	0.406 THK SAE CA 260 BRASS				1	0.8-0.5	3.10	19	3.8
12004555	F	OBSOLETE	0.406 THK SAE CA 260 BRASS				1	2.0-1.0	3.95	15	4.4
12004554	F	OBSOLETE	0.406 THK SAE CA 260 BRASS				1	5.0-3.0	5.10	11	4.6
12004553	E	OBSOLETE	0.406 THK SAE CA 260 BRASS								
PART NO.	REV.	STATUS	MATERIAL	PART NO.	REV.	STATUS	TYPE	SIZE (MM <sup>2</sup> )	DIA.	I.D.	A
			UNPLATED								±0.4

CABLE I.D. NUMBER (AS SPECIFIED IN CHART) IS LOCATED ON UNDERSIDE OF EACH TERMINAL.

- INDICATES SERRATIONS IN CONDUCTOR WINGS.
- ▲ INDICATES MATERIAL (C260 ALLOY) IS TIN PLATED OVER COPPER PLATE.
- INDICATES MATERIAL (C195 ALLOY) IS SILVER PLATED OVER NICKEL PLATE.
- INDICATES MATERIAL (C260 ALLOY) IS SILVER PLATED OVER NICKEL PLATE.

NOTE - CONTACT PACKARD ELECTRIC SALES DEPARTMENT CONCERNING CURRENT PRODUCT AVAILABILITY.

DATE	SYM	REVISION RECORD	AUTH	DR	CK
11SE89		CLEARED REVISION COLUMN -			
		12089950, 12089951, 12089952 & 12089953 - REVISED NOTE -			
		NO REVISION UPDATE REQUIRED	129804	FH	FH
27SE89		ALL ACTIVE TYPE #1 PARTS -			
		SLOT DIM. 7.15/6.65 WAS 6.15/5.65; REVISION LEVELS ADVANCED:			
		12015373 & 12089953 BROUGHT INTO AGREEMENT WITH DETAIL.	129180	AP	AP
06DE89		12078031, 12078032, 12078033, 12078136, 12078137 & 12078138:			
		REV. LEVEL ADVANCED TO "B"	131198	AP	AP
20DE89		ALL ACTIVE TYPE #1 PARTS -			
		DIM. 3.98 WAS 4.22/3.96; NO REV. UPDATE REQ'D.	132023	AP	AP
21JN91		ALL ACTIVE PARTS - REVISED TOLERANCE ±0.2 WAS ±0.4 -			
		NO REV UPDATE REQ'D	143205	JK	HH
24AU04		CORRECTED PREVIOUS DRAFTING ERRORS ON CN251516	258153	BY	BY
05JA07		12052443 - UPDATED REVISION LEVEL	400027	EPS	EVV
22AU08		12004560-02, 12078031 & 12078033 - OBSOLETE; 12078032 & 12020336 - OBSOLETE AND REPLACED BY 12078137 & 12089952	405838	JTZ	FKV
07OC10		ALL ACTIVE PARTS - DIM A ±0.4 WAS DIM A ±0.2	412170	MAB	LHT

As of 06JL90 this drawing is no longer being maintained on computer vision.

CAD CAM (JWP)

**METRIC** THIRD ANGLE PROJECTION

DIMENSIONS ARE IN MILLIMETERS UNLESS OTHERWISE SPECIFIED

CODE NO. 6900 TOLERANCE UNLESS OTHERWISE SPECIFIED  
DECIMAL: ONE PLACE ±0.3 TWO PLACE ±0.15 ANGULAR: ±2°

QC DATE: 07JN78 SCALE: NONE DR. DATE: 03AU84

CD X.TERM. 12004552.00.01 CK: R. SEBRELL DATE: 03AU84

REFERENCE NO. 12004552 "D" SIZE APPR. DATE: 04OC84  
SHT. #1, #2, & #6 APPR. R.D. KEARNS DATE: 04OC84

MATERIAL SPEC. SEE CHART

NAME TERM F PAC/ON III

PART NO. 1200 4552 SIZE D

OUTLINE DRAWING SHEET 1 OF 3

C05D1974

## X-ON Electronics

Largest Supplier of Electrical and Electronic Components

*Click to view similar products for [Automotive Connectors](#) category:*

*Click to view products by [APTIV](#) manufacturer:*

Other Similar products are found below :

[003-018-000](#) [60403001](#) [60993906-B](#) [629515004020001](#) [M902-2131](#) [M902-2161](#) [72.330.1035.1](#) [73.353.4028.0](#) [F119300-B](#) [F166900](#)  
[F258300-B](#) [F358300-B](#) [F407400](#) [F444110](#) [F487000](#) [F509500B-B](#) [827153-1](#) [8N1515-32-24P](#) [9-1326729-8](#) [925474-1](#) [928905-1](#) [964562-4](#)  
[968782-1](#) [GT17SA-8DS-HU](#) [98891-1012](#) [98947-1016](#) [12004475-L](#) [12010290](#) [12010309-B](#) [12015454](#) [12020219-B](#) [12020308](#) [12041318-B](#)  
[12052225-L](#) [12052466](#) [12059125](#) [12064869](#) [12004327-B](#) [12010503-B](#) [12015308](#) [12015384](#) [12015909](#) [1-21030-1](#) [12041254](#) [12041318](#)  
[12047946-B](#) [12047957](#) [12047957-L](#) [12059473](#) [12066261](#)