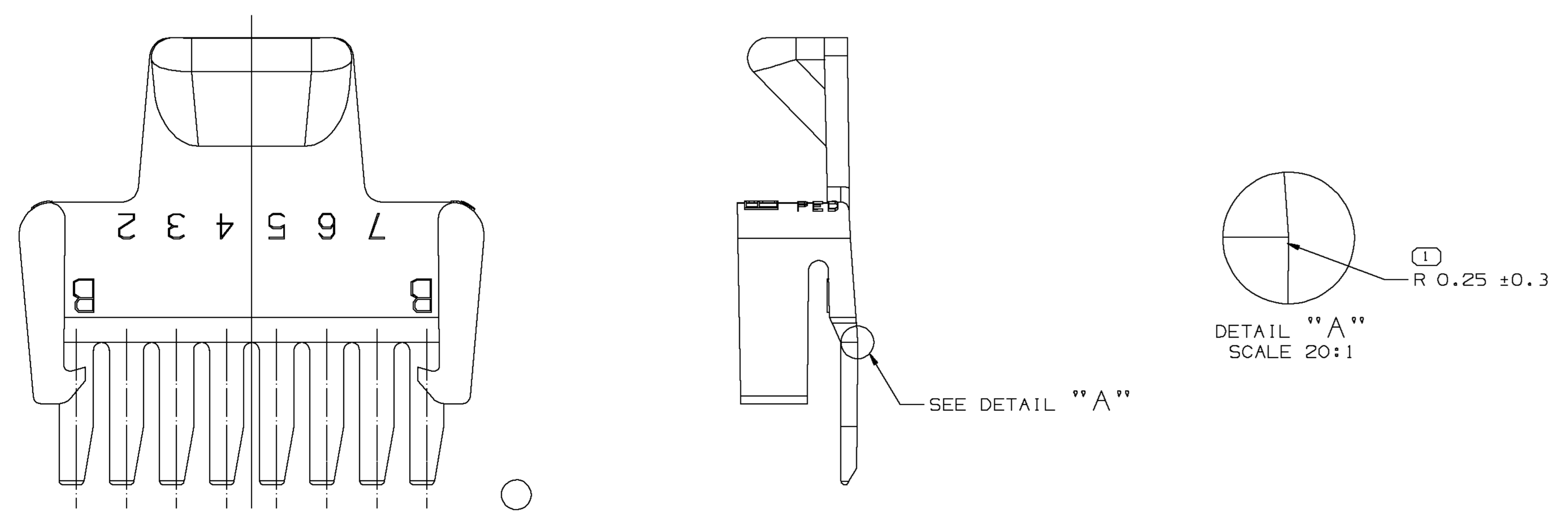
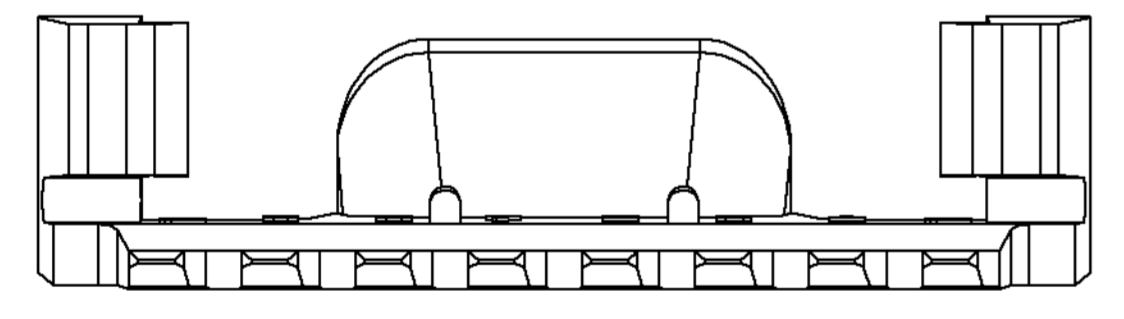
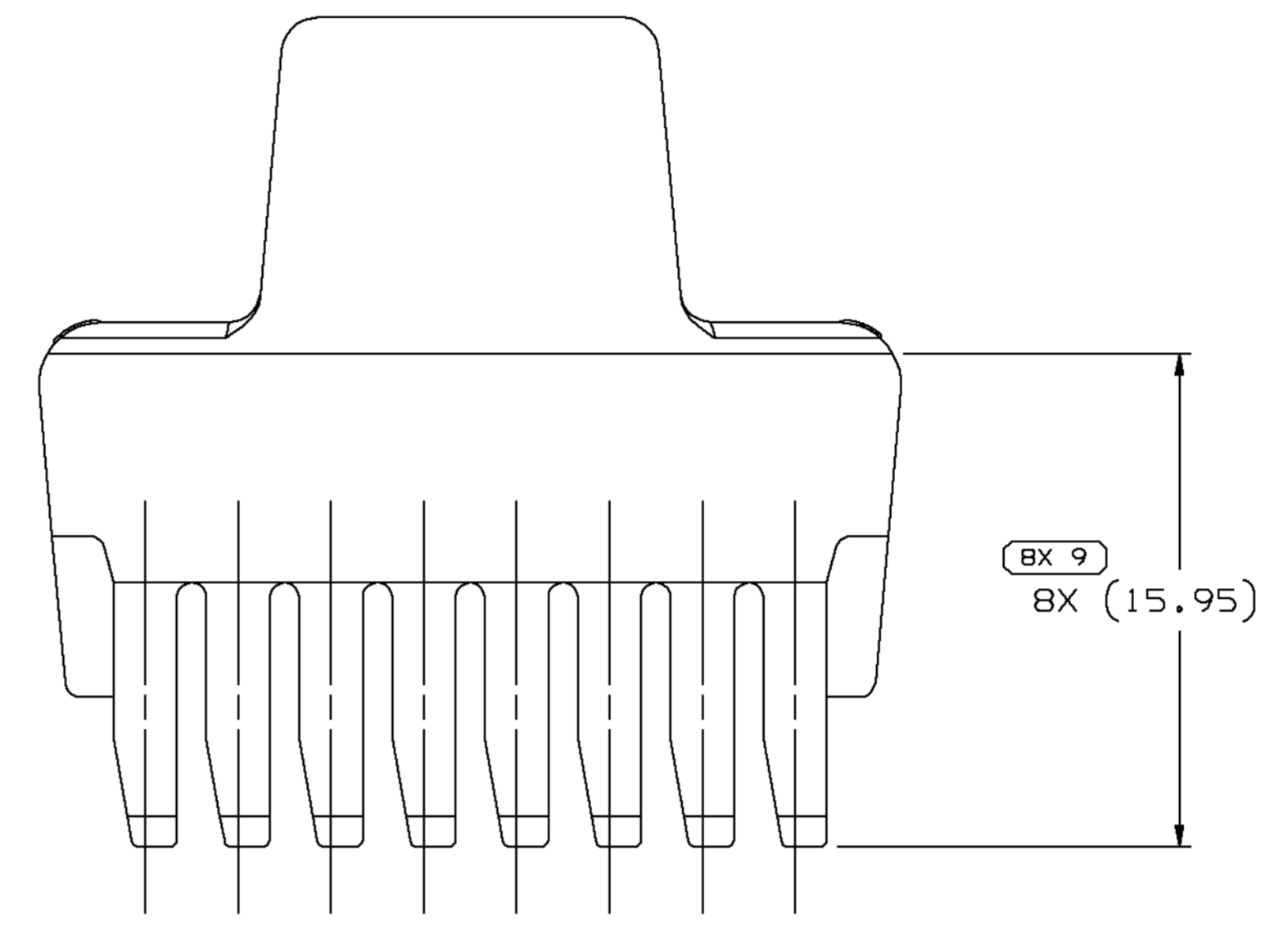
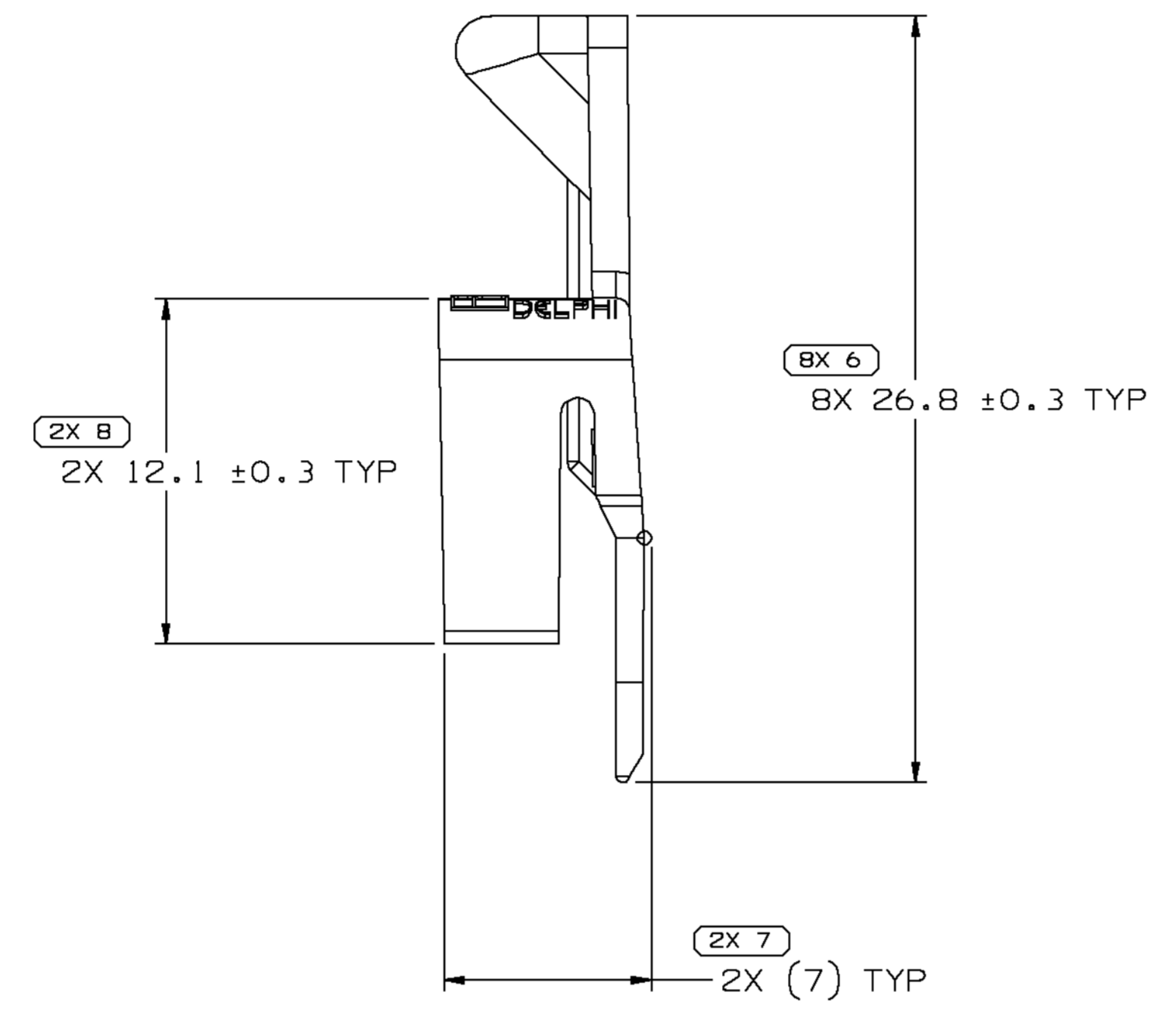
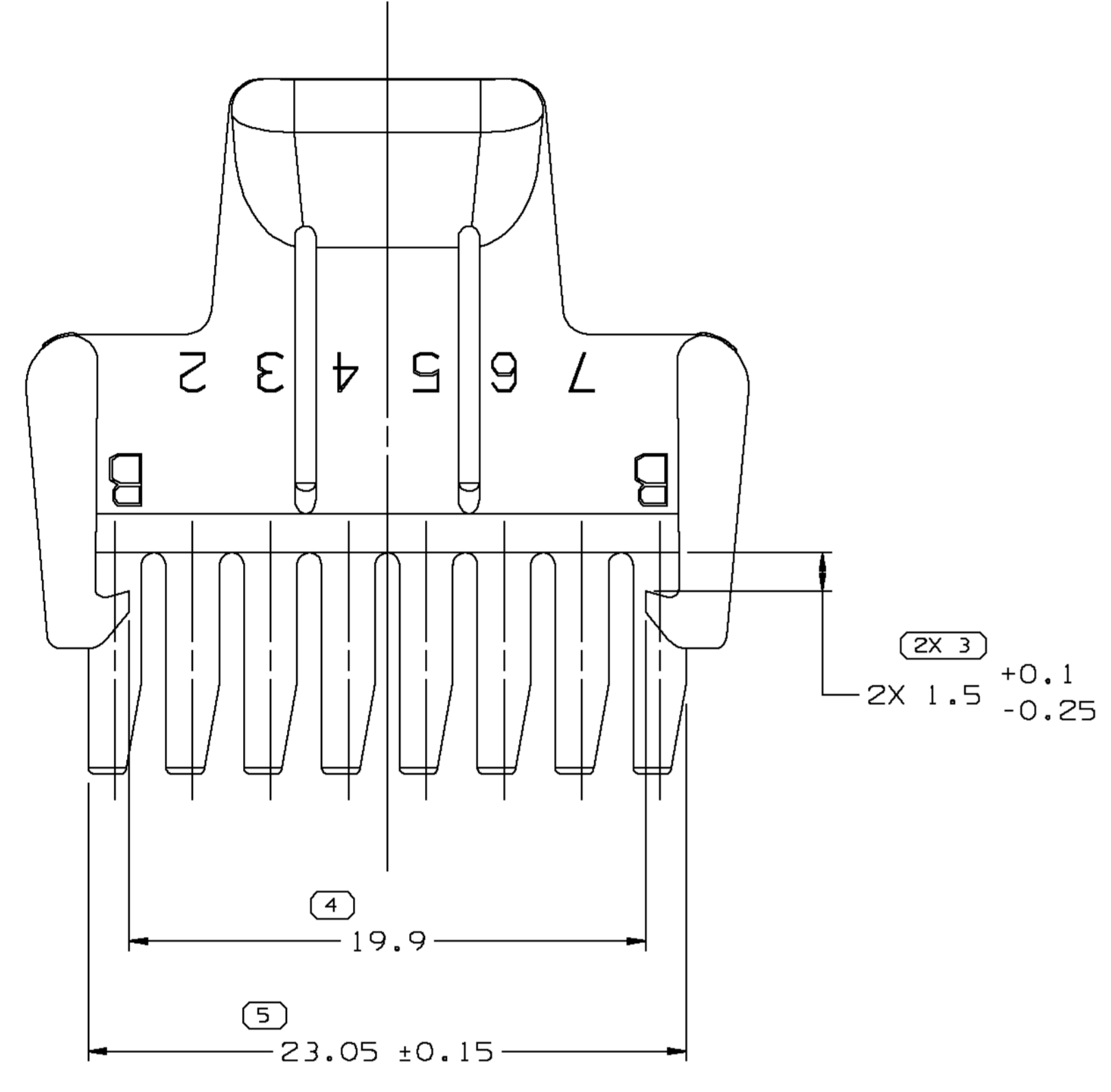
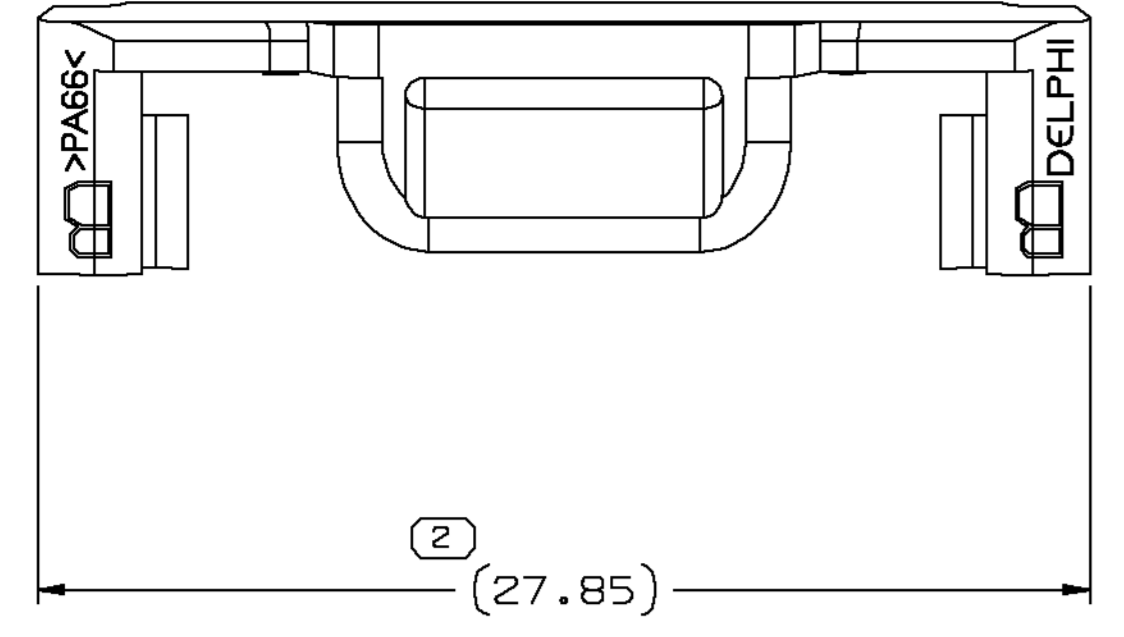


SYMBOL DEFINITION		MISSING SYMBOLS	
A DIMENSION WITHOUT AN INSPECTION REPORT SYMBOL DOES NOT REQUIRE INSPECTION. IT MAY BE CONTROLLED ON THE INDIVIDUAL COMPONENT DRAWING.	TOTAL NO OF INSPECTIONS REQUIRED	NO MISSING SYMBOL NUMBER	26
	LAST NO. USED		9

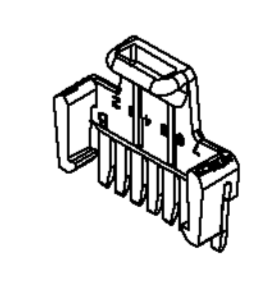
DWG STATUS				ZONE				REVISION HISTORY		AUTH	DR	APVD	APVD
DATE	STG	REV	W/P	CHG				ADDED OPTIONAL CONSTRUCTION VIEW, LOGO NOTE & RECYCLE CODE NOTE	228204	JFN	ESF	1	2
19JUL02	R	05	AD	-									



OPTIONAL CONSTRUCTION

NOTES

- UNLESS OTHERWISE SPECIFIED AND/OR INDICATED: DIMENSIONS ARE TO FACE OF VIEW SHOWN AND AUTOMATICALLY ROUNDED BY COMPUTER FOR INSPECTION (SEE MATH MODEL FOR PRECISE DIMENSIONS). FOR ALL OTHER DIMENSIONS NOT SHOWN BUT REQUIRED FOR TOOL BUILD, SEE MATH MODEL FOR PRECISE TOOL PATH DATA.
- MATERIAL RECYCLING CODE >PA66< PER SAE J1344. (2.3)X(0.1) RAISED CHARACTERS AS SHOWN TO BE LOCATED ON ANY EXTERIOR SURFACE. OPTIONAL CONSTRUCTION TO BE NO MATERIAL RECYCLING CODE.
- MATING COMPONENTS OR EQUIVALENT: CONNECTOR 12048346
- (2.3)X(0.1) RAISED DELPHI CORPORATE BRAND TO BE LOCATED ON ANY EXTERIOR SURFACE, PREFERABLY VISIBLE AT FINAL ASSEMBLY. OPTIONAL CONSTRUCTION TO BE "PED" OR NO LOGO.
- THIS TPA HAS A POSSIBLE RATTLE CONDITION. SPOT TAPE MAY BE ADDED TO TPA AND ADJACENT CABLES TO PREVENT RATTLE IN CUSTOMER SENSITIVE AREAS OF THE VEHICLE.



DELPHI
DELPHI PACKARD ELECTRIC SYSTEMS
WARREN, OH

THIS DRAWING IS THE PROPERTY OF DELPHI CORPORATION. NO RIGHTS ARE GRANTED TO USE THIS DRAWING FOR ANY PURPOSE OTHER THAN THE FURNISHING OF SERVICES AND SUPPLIES TO DELPHI CORPORATION.

DWG TYPE		PART DRAWING	
STYLE		DR	
VOLUME (C/P)	1,028	APVD1	J. BARQUIN 21AP97
ROUTING	6900, 6901	APVD2	E. BAEZ 14MY97
		APVD3	A. HERMANN 22MY97
		APVD4	
		APVD5	

UNLESS OTHERWISE SPECIFIED
THIS DOCUMENT IS IN ACCORDANCE WITH ASME Y14.5M-1994 AS AMENDED BY THE GW GLOBAL DIMENSIONING AND TOLERANCING ADDENDUM 1997. ALL DIMENSIONS AND RELATED DATUMS APPLY UNLESS OTHERWISE SPECIFIED. TOLERANCE UNLESS OTHERWISE SPECIFIED IS ESTABLISHED BY ORIENTATION OR LOCATION TOLERANCES. SEPARATE POSITION CALLOUTS MAY BE ISSUED SEPARATELY, REGARDLESS OF DATUM REFERENCE.

4 PROCESS SENSITIVE DIMENSION		REFERENCE	
DIMENSIONS ENCLOSED IN () INDICATE INSPECTION DIMENSIONS AND NO TOLERANCE LIMITS ARE ESTABLISHED.		THIRD ANGLE PROJECTION	DO NOT SCALE
		USE MATH DATA	UNIGRAPHICS

DRAWING NUMBER			
12048345			
SIZE	SCALE	FRAME NO	SHEET NO
A0	5:1	1 OF 1	1 OF 1
		STG	REV
		R	05 AD

X-ON Electronics

Largest Supplier of Electrical and Electronic Components

Click to view similar products for [Automotive Connectors](#) category:

Click to view products by [APTIV](#) manufacturer:

Other Similar products are found below :

[003-018-000](#) [60403001](#) [60993906-B](#) [629515004020001](#) [M902-2131](#) [M902-2161](#) [72.330.1035.1](#) [73.353.4028.0](#) [F119300-B](#) [F166900](#)
[F258300-B](#) [F358300-B](#) [F407400](#) [F444110](#) [F487000](#) [F509500B-B](#) [827153-1](#) [8N1515-32-24P](#) [9-1326729-8](#) [925474-1](#) [928905-1](#) [964562-4](#)
[968782-1](#) [GT17SA-8DS-HU](#) [98891-1012](#) [98947-1016](#) [12004475-L](#) [12010290](#) [12010309-B](#) [12015454](#) [12020219-B](#) [12020308](#) [12041318-B](#)
[12052225-L](#) [12052466](#) [12059125](#) [12064869](#) [12004327-B](#) [12010503-B](#) [12015308](#) [12015384](#) [12015909](#) [1-21030-1](#) [12041254](#) [12041318](#)
[12047946-B](#) [12047957](#) [12047957-L](#) [12059473](#) [12066261](#)