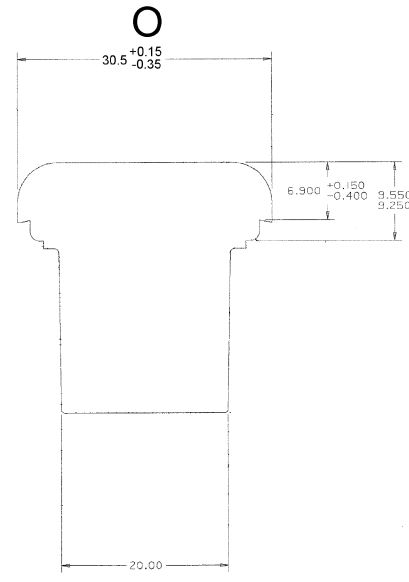
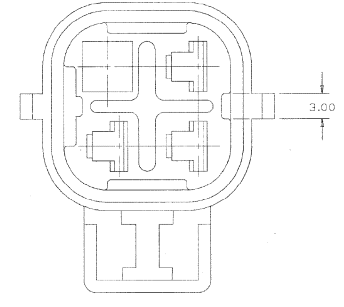


DELPHI PACKARD ELECTRIC SYSTEMS  
WARREN, OHIO 44486

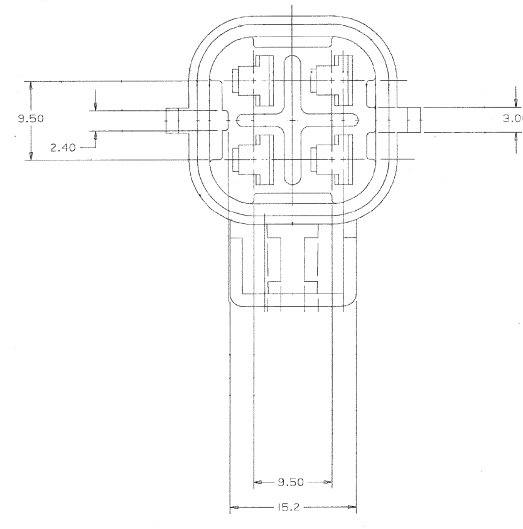
DWG STATUS				REVISION HISTORY				AUTH			
DATE	STG	REV	CHG	W/P	ZONE				DR	CK	APVD
22JAO2	R	001	-	-		CREATED PD			219833	LEG	JH
05FE02	R	002	-	-		DIM 30.5 +0.15/-0.35 WAS 30.50			220599	ESF	JH



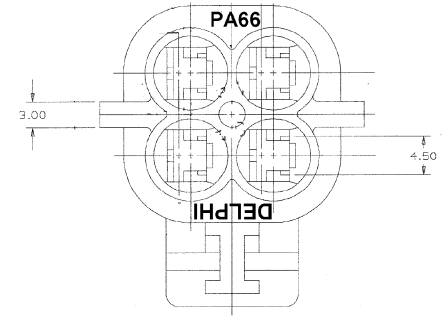
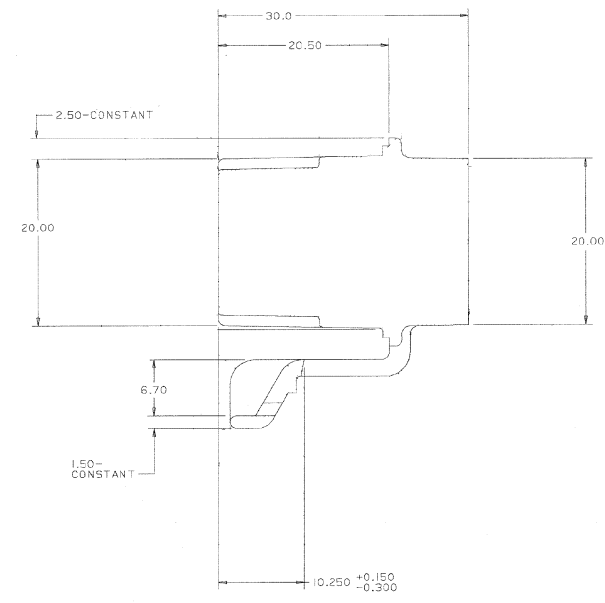
TYPE I



TYPE II  
SAME AS TYPE I EXCEPT AS SHOWN



TYPE I



- NOTES
- DIMENSIONS ARE TO FACE OF VIEW SHOWN UNLESS OTHERWISE SPECIFIED.
  - CAVITIES ARE IDENTICAL.
  - THIS PART IS NOT CONTROLLED FOR AUTOMATIC FEEDING.
  - CAVITIES TO ACCEPT I2048450 TERMINAL OR EQUIVALENT.
  - THIS CONNECTOR TO MATE TO DELCO ELECTRONICS PART NO. HVAC POWER MODULE OR EQUIVALENT.
  - THIS PART TO ACCEPT I2048248 T.P.A. OR EQUIVALENT.
  - THIS PART TO ACCEPT I2020833 C.P.A. OR EQUIVALENT.
  - MATERIAL RECYCLING CODE >PA66< PER SAE J1344 (2.3)(0.1) RAISED CHARACTERS AS SHOWN TO BE LOCATED ON ANY EXTERIOR SURFACE. OPTIONAL CONSTRUCTION TO BE NO MATERIAL RECYCLE CODE.
  - (2.3)(0.1) RAISED DELPHI CORPORATE BRAND TO BE LOCATED ON ANY EXTERIOR SURFACE, PREFERABLY VISIBLE AT FINAL ASSEMBLY. OPTIONAL CONSTRUCTION TO BE "PED" OR NO LOGO.

12059407	006	AA		II	M3592025-PA66 HS IM MED GRA	12059410
12048249	005	AA		I	M3592001-PA66 HS IM BLK	12052023
PART NO	REV	N/P	STATUS	TYPE	MAT'L SPEC & COLOR	ASSEMBLY NO.

<b>DELPHI</b> Automotive Systems		TOLERANCE UNLESS OTHERWISE SPECIFIED DIMENSIONAL TOLERANCES ANGULAR ±2°	
MATERIAL SPEC SEE CHART		SUBSTANCES OF CONCERN AND RECYCLED CONTENT PER DELPHI - A 1094-9001	
CODE NUMBER 6900		PART DRAWING	
DWG DATE 22JAO2		SCALE 4:1	
DC SPEC		STYLE	
PART GEOMETRY 2D PLANAR		UNLESS OTHERWISE SPECIFIED: THIS DOCUMENT IS IN ACCORDANCE WITH ASME Y14.5M - 1994 AS AMENDED BY THE GM GLOBAL DIMENSIONING AND TOLERANCING HANDBOOK - (1997). ALL DIMENSIVE TOLERANCES AND RELATED DATUMS APPLY SFS. RULE #1 (PERFECT FORM AT MMC) DOES NOT APPLY WHEN RELATIONSHIP BETWEEN FEATURES IS ESTABLISHED BY ORIENTATION OR LOCATION TOLERANCES. SEPARATE POSITION CALLOUTS MAY BE GAGED SEPARATELY REGARDLESS OF DATUM REFERENCES.	
DO NOT SCALE		REFERENCE	
METRIC UNLESS OTHERWISE SPECIFIED ALL DIMENSIONS ARE IN MILLIMETERS		DATE	
DRAWING NAME TAXI CONN 4F M/P 480 SLD		DR	
SHEET NUMBER 1 OF 1		APVD1 L. GARAY 22JAO2	
DRAWING NUMBER 12059408		APVD2 G. ESTRADA 22JAO2	
DWG STATUS R 002		APVD3 J. HORVATH 23JAO2	
SIZE AO		APVD4	
		APVD5	

## X-ON Electronics

Largest Supplier of Electrical and Electronic Components

*Click to view similar products for [Automotive Connectors](#) category:*

*Click to view products by [APTIV](#) manufacturer:*

Other Similar products are found below :

[003-018-000](#) [60403001](#) [60993906-B](#) [629515004020001](#) [M902-2131](#) [M902-2161](#) [72.330.1035.1](#) [73.353.4028.0](#) [F119300-B](#) [F166900](#)  
[F258300-B](#) [F358300-B](#) [F407400](#) [F444110](#) [F487000](#) [F509500B-B](#) [827153-1](#) [8N1515-32-24P](#) [9-1326729-8](#) [925474-1](#) [928905-1](#) [964562-4](#)  
[968782-1](#) [GT17SA-8DS-HU](#) [98891-1012](#) [98947-1016](#) [12004475-L](#) [12010290](#) [12010309-B](#) [12015454](#) [12020219-B](#) [12020308](#) [12041318-B](#)  
[12052225-L](#) [12052466](#) [12059125](#) [12064869](#) [12004327-B](#) [12010503-B](#) [12015308](#) [12015384](#) [12015909](#) [1-21030-1](#) [12041254](#) [12041318](#)  
[12047946-B](#) [12047957](#) [12047957-L](#) [12059473](#) [12066261](#)