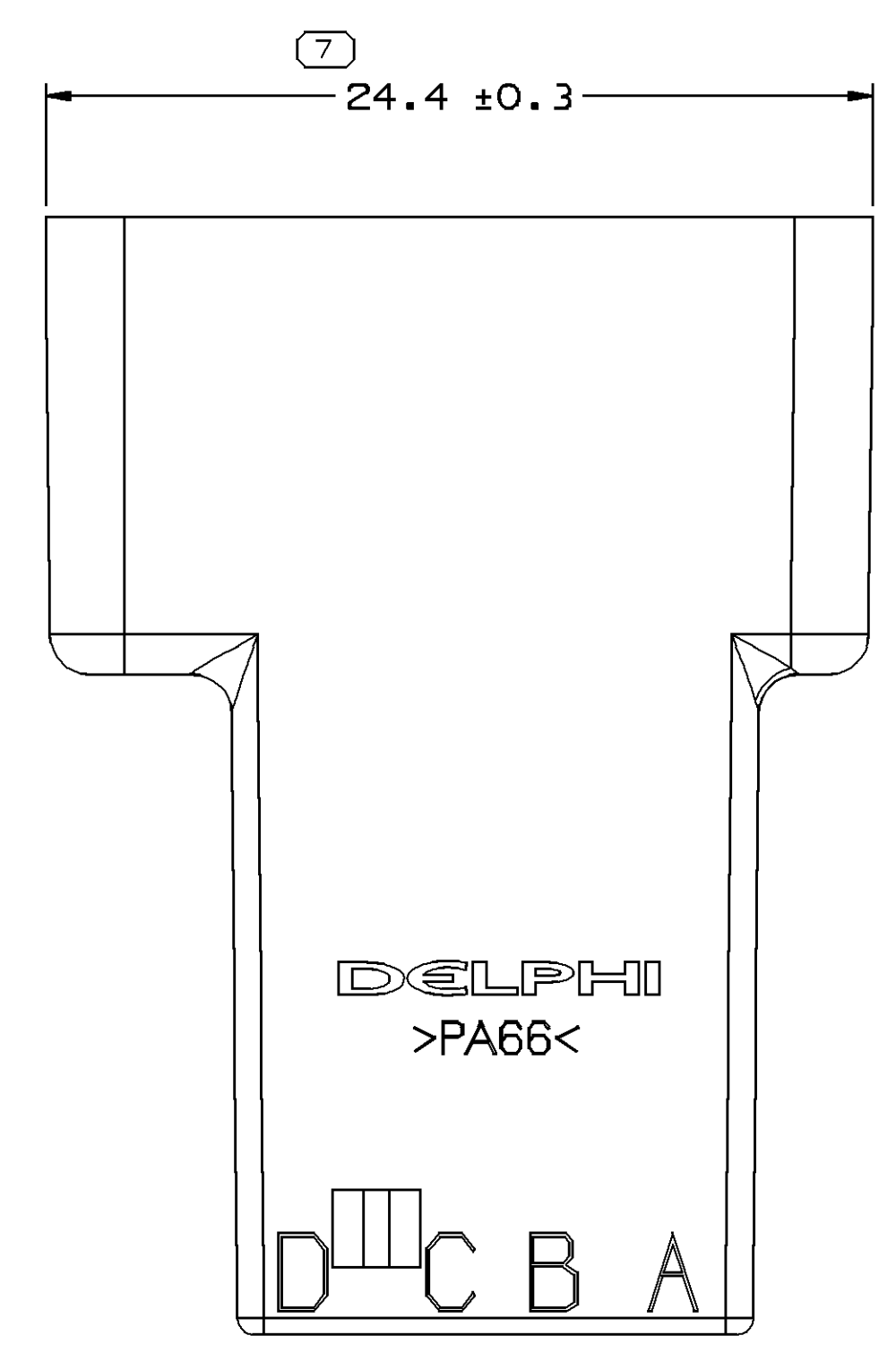
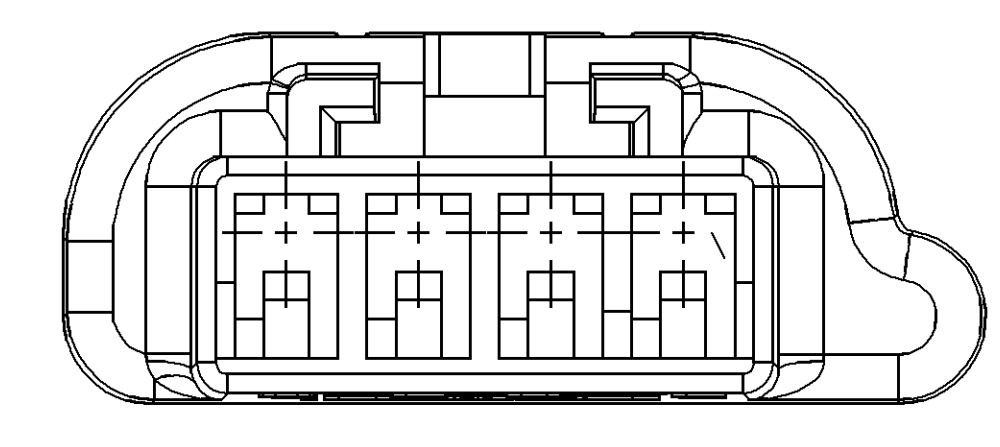
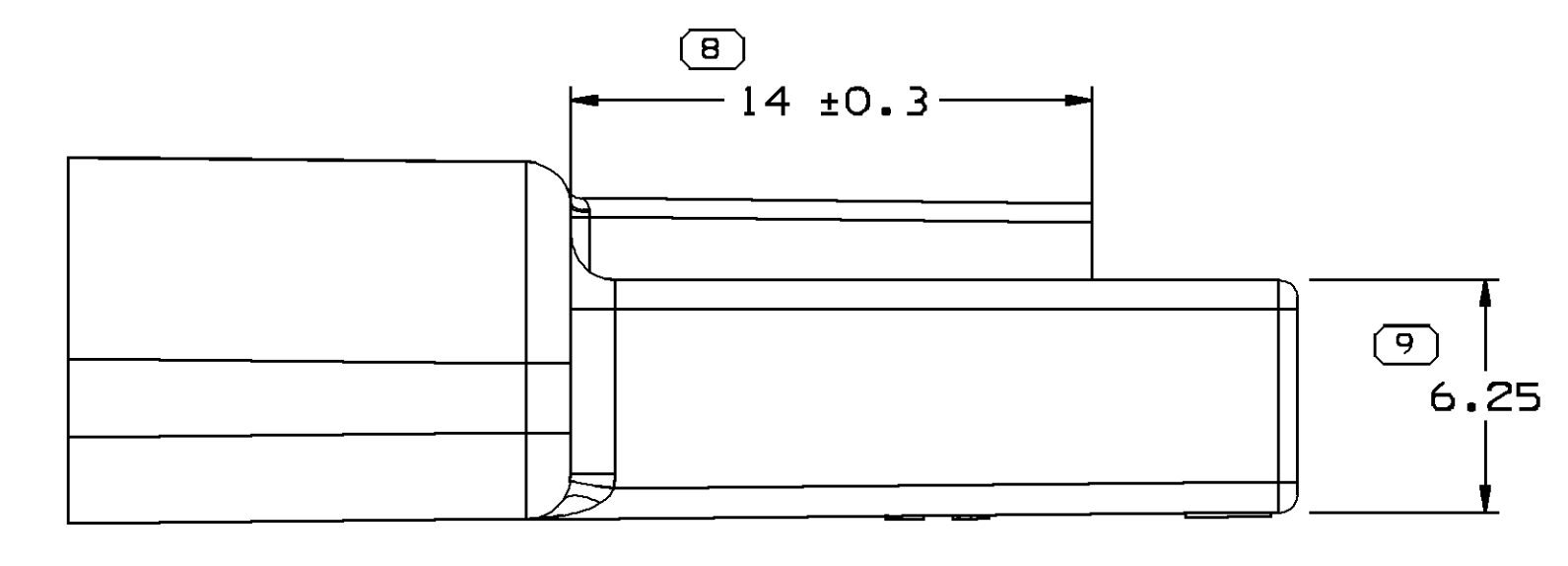
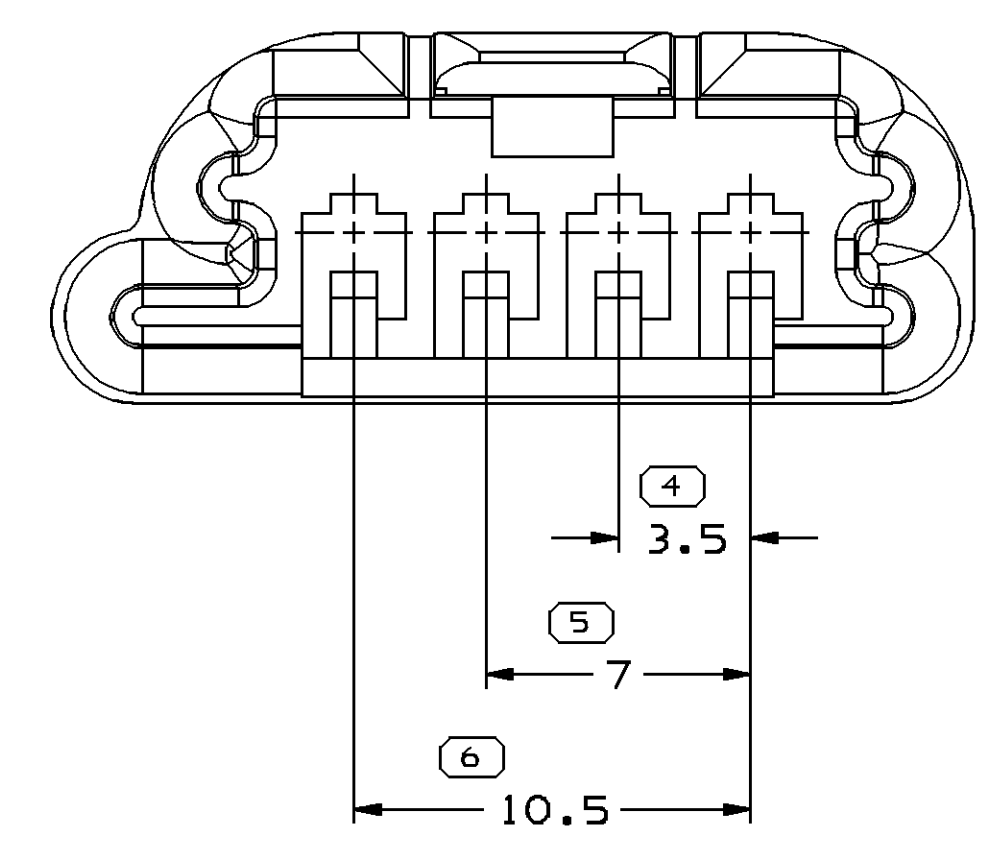
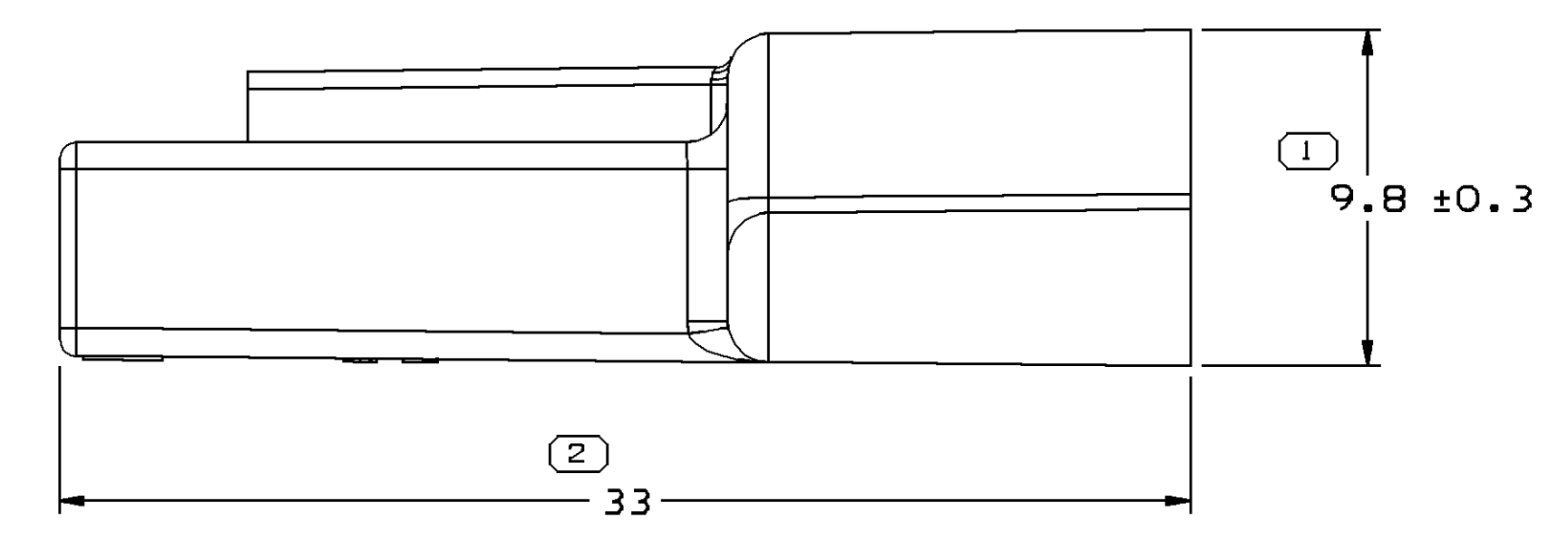
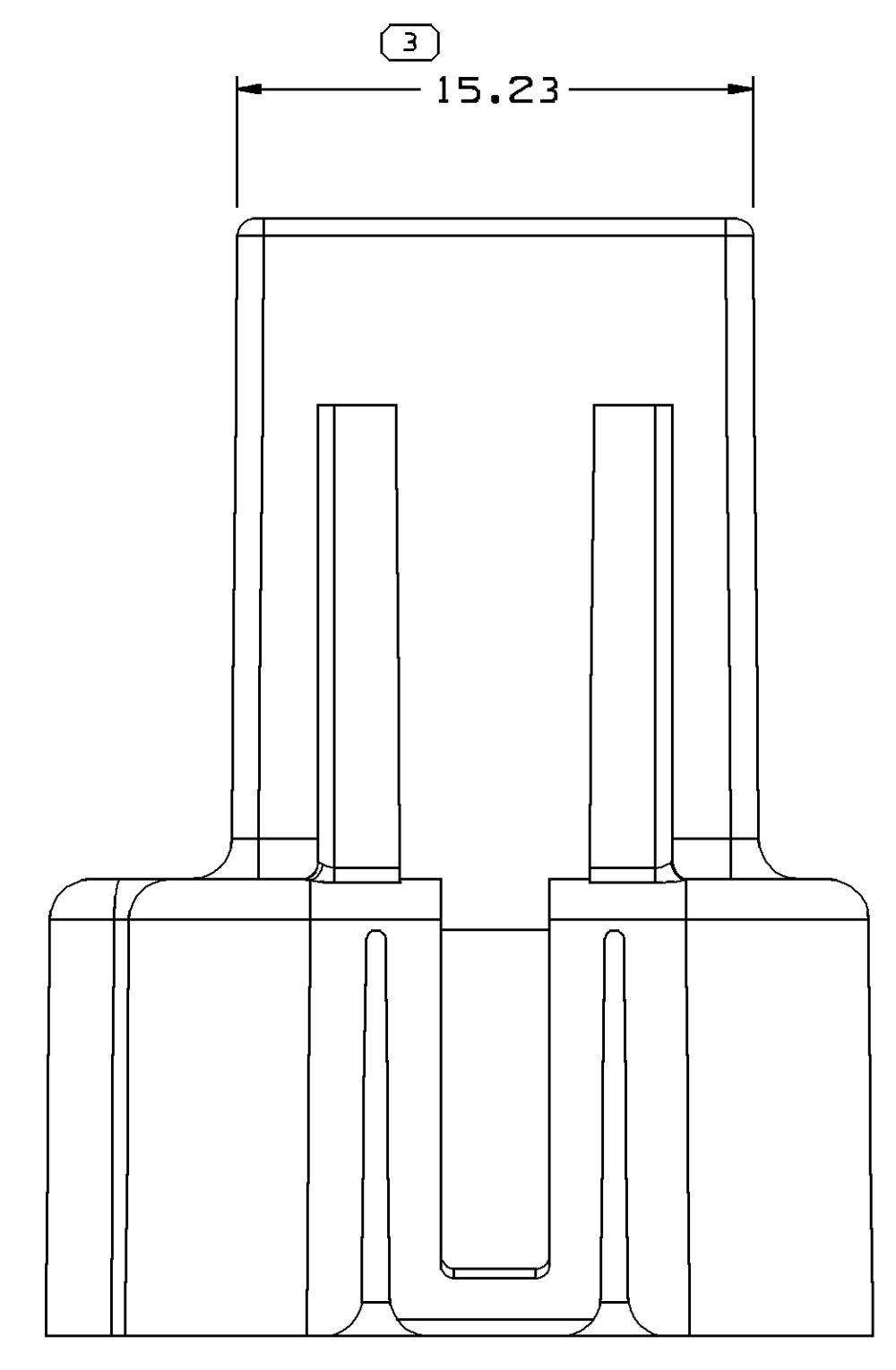
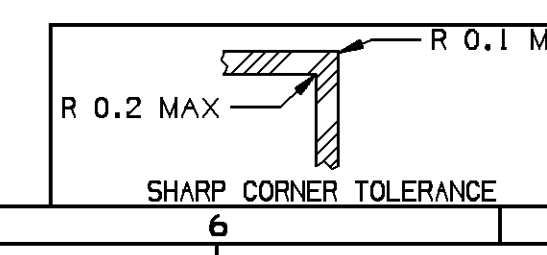
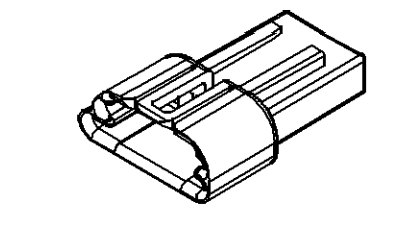


SYMBOL DEFINITION				MISSING SYMBOLS				REVISION HISTORY				AUTH		DR		AP/VD			
A DIMENSION WITHOUT AN INSPECTION REPORT SYMBOL ( ) DOES NOT REQUIRE INSPECTION. IT MAY BE CONTROLLED ON THE INDIVIDUAL COMPONENT DRAWING.				NO MISSING SYMBOL NUMBER				DATE				242504		EGR		ET			
TOTAL NO OF INSPECTIONS REQUIRED				9				18JUN03				R		02		-		-	
LAST NO. USED				9															



NOTES

- UNLESS OTHERWISE SPECIFIED AND/OR INDICATED: DIMENSIONS ARE TO FACE OF VIEW SHOWN AND AUTOMATICALLY ROUNDED BY COMPUTER FOR INSPECTION (SEE MATH MODEL FOR PRECISE DIMENSIONS). FOR ALL OTHER DIMENSIONS NOT SHOWN BUT REQUIRED FOR TOOL BUILD, SEE MATH MODEL FOR PRECISE TOOL PATH DATA.
- MATERIAL RECYCLING CODE >PA66< PER SAE J1344. (2.31X(0.1) RAISED CHARACTERS AS SHOWN TO BE LOCATED ON ANY EXTERIOR SURFACE. OPTIONAL CONSTRUCTION TO BE NO MATERIAL RECYCLING CODE.
- THIS PART IS NOT CONTROLLED FOR AUTOMATIC FEEDING.
- MATING COMPONENTS OR EQUIVALENT:  
CONNECTOR 12045813  
SECONDARY LOCK 12052055
- THIS PART ACCEPTS THE FOLLOWING COMPONENTS OR EQUIVALENT:  
TERMINAL 12040993  
MAX INSULATION CRIMP MUST BE LESS THAN 3 HIGH AND 2.65 WIDE.
- (2.31X(0.1) RAISED DELPHI CORPORATE BRAND TO BE LOCATED ON ANY EXTERIOR SURFACE, PREFERABLY VISIBLE AT FINAL ASSEMBLY. OPTIONAL CONSTRUCTION TO BE "PED" OR NO LOGO.



FROM	TO	TOLERANCE
> 0	> 30	±0.15
> 30	> 70	±0.2
> 70	> 100	±0.3
> 100	> 150	±0.4
> 150	> 200	±0.5
> 200	> 250	±0.6
> 250	> 300	±0.8
> 300	> 400	±1.0

Dwg Type		PART DRAWING	
STYLE		DISTR CODE	D
VOLUME 10/P	2, 313		
ROUTING	6900		
UNLESS OTHERWISE SPECIFIED			
THIS DOCUMENT IS IN ACCORDANCE WITH ASME Y14.5M-1994			
AS REVISED BY THE IN-SUPPLY DIMENSIONING AND TOLERANCE PRACTICE MANUAL, SEPARATE EDITIONS OF WHICH ARE AVAILABLE FROM DELPHI. SEPARATE EDITIONS OF THIS DOCUMENT MAY BE OBTAINED FROM DELPHI.			
ALL DIMENSIONS ARE IN MILLIMETERS			
REFERENCE			
THIRD ANGLE PROJECTION			
DO NOT SCALE			
USE MATH DATA			

**DELPHI**  
DELPHI PACKARD ELECTRIC SYSTEMS  
WARREN, OH

DR	DATE
APVD1	
APVD2	D. J. JORDAN
APVD3	J. C. GRIFFIN
APVD4	
APVD5	

APVD1: D. J. JORDAN O10CB4  
APVD3: J. C. GRIFFIN O1NGB4

UNLESS OTHERWISE SPECIFIED  
SUBSTANCES OF CONCERN AND RECYCLED CONTENT PER DELPHI 10947001

WATERLIL  
W3592001 - PA66 HS 1M BLK

DRAWING NAME  
CONN 4 M M/P 150 BLK

DRAWING NUMBER  
**12052054**

SIZE	SCALE	FRAME NO	SHEET NO	STG	REV	N/P
A0	5:1	1	1	1	1	R 02

## X-ON Electronics

Largest Supplier of Electrical and Electronic Components

*Click to view similar products for [Automotive Connectors](#) category:*

*Click to view products by [APTIV](#) manufacturer:*

Other Similar products are found below :

[003-018-000](#) [60403001](#) [60993906-B](#) [629515004020001](#) [M902-2131](#) [M902-2161](#) [72.330.1035.1](#) [73.353.4028.0](#) [F119300-B](#) [F166900](#)  
[F258300-B](#) [F358300-B](#) [F407400](#) [F444110](#) [F487000](#) [F509500B-B](#) [827153-1](#) [8N1515-32-24P](#) [9-1326729-8](#) [925474-1](#) [928905-1](#) [964562-4](#)  
[968782-1](#) [GT17SA-8DS-HU](#) [98891-1012](#) [98947-1016](#) [12004475-L](#) [12010290](#) [12010309-B](#) [12015454](#) [12020219-B](#) [12020308](#) [12041318-B](#)  
[12052225-L](#) [12052466](#) [12059125](#) [12064869](#) [12004327-B](#) [12010503-B](#) [12015308](#) [12015384](#) [12015909](#) [1-21030-1](#) [12041254](#) [12041318](#)  
[12047946-B](#) [12047957](#) [12047957-L](#) [12059473](#) [12066261](#)