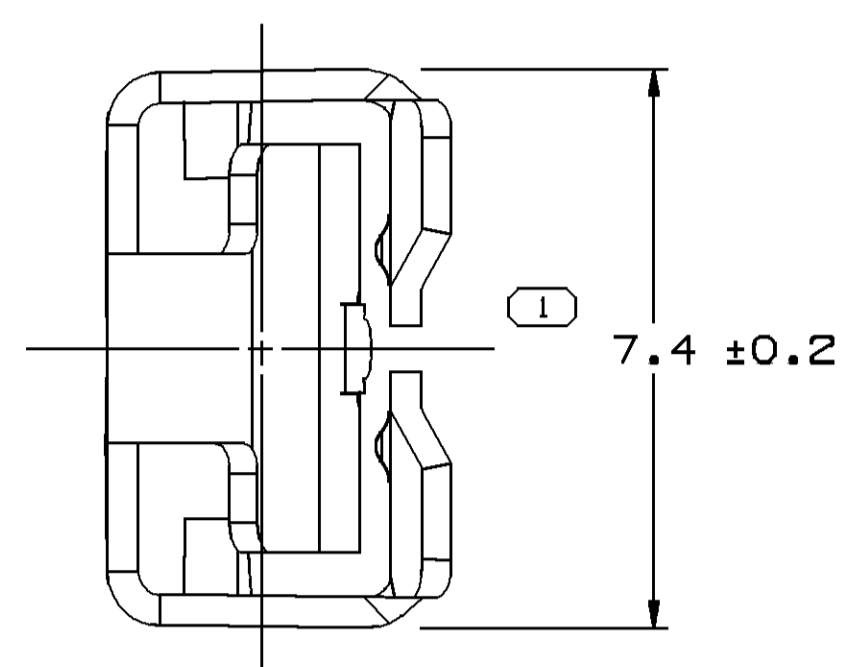
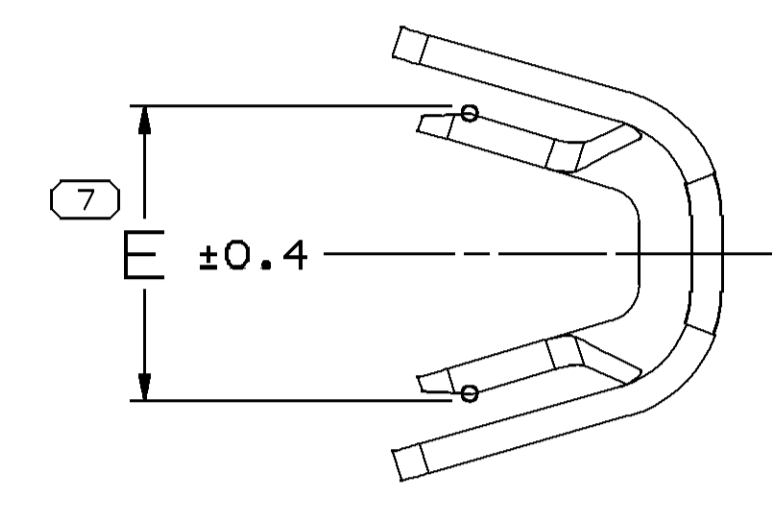
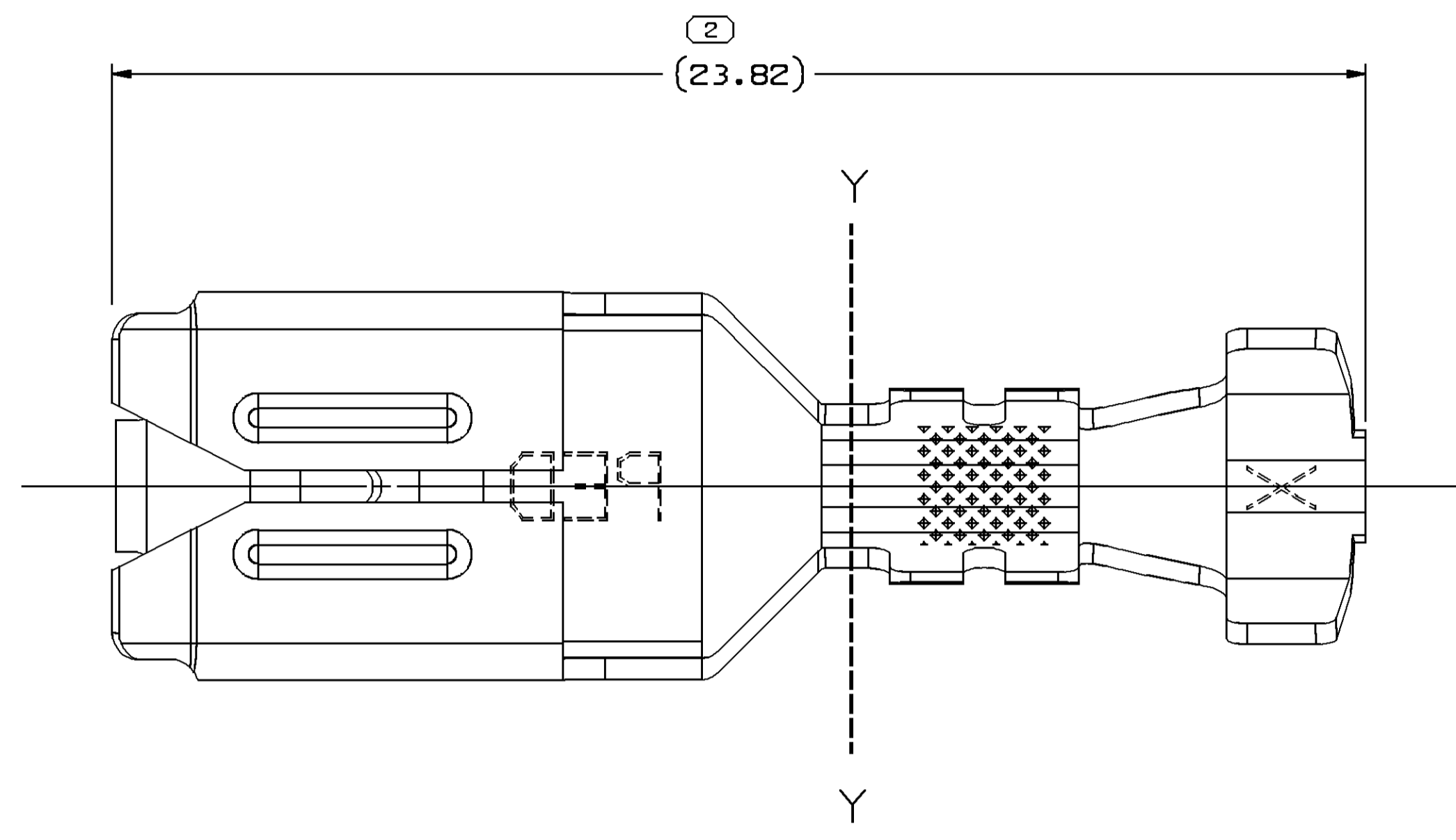


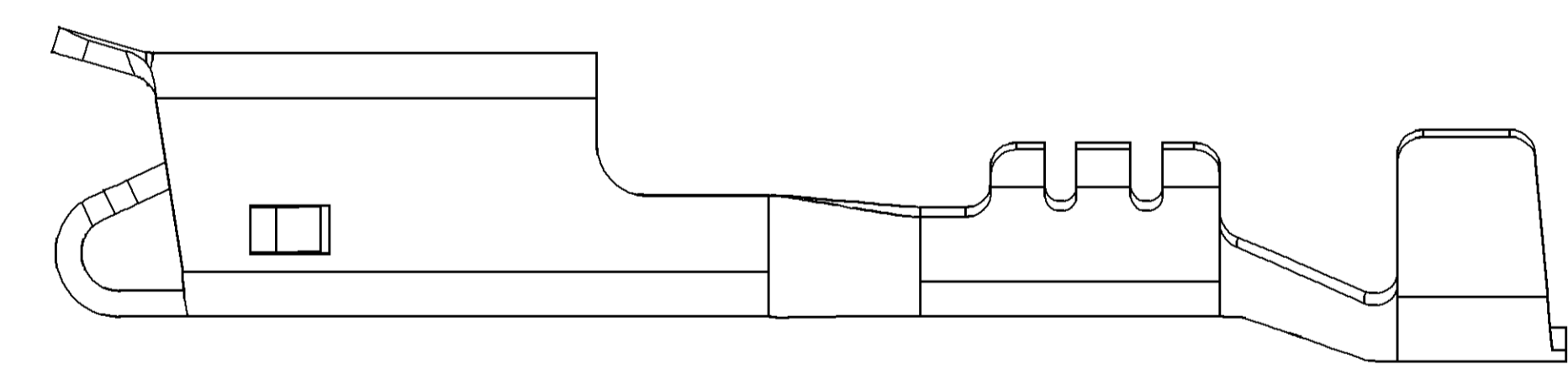
SYMBOL DEFINITION		MISSING NUMBERS		DWG STATUS		REVISION HISTORY		AUTH		DR		AP/VD		
THE NUMBER INSIDE THE SYMBOL	TOTAL NO. OF SYMBOLS ON DRAWING			DATE	STG	REV	N/P	CHG	ZONE					
7	7			22MR99	R	01	-	-		15366082 - RELEASED 12052064 & 12047569 WERE SEPARATE DWG	990005	LMM	JHV	HJR
8	8			11DE02	R	02	-	-		UPDATED PDM ATTRIBUTES	229867	JFN	EAR	B6
				24MY06	R	03	-	-		ALL ACTIVE PARTS - UPDATED PDM ATTRIBUTES	280890	JTZ	JAA	BDG
				19FE15	R	04	-	-		15366082 - ADDED TARNISH INFO NOTE	428877	ABH	JVM	JSM



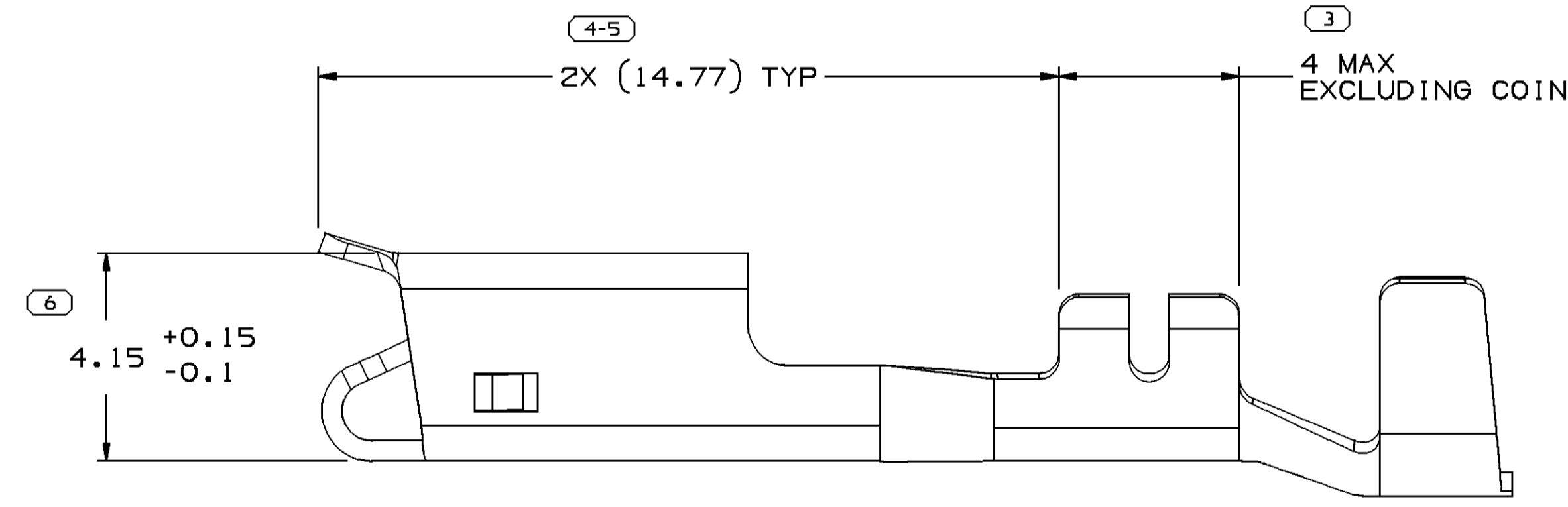
VIEW TO Y-Y



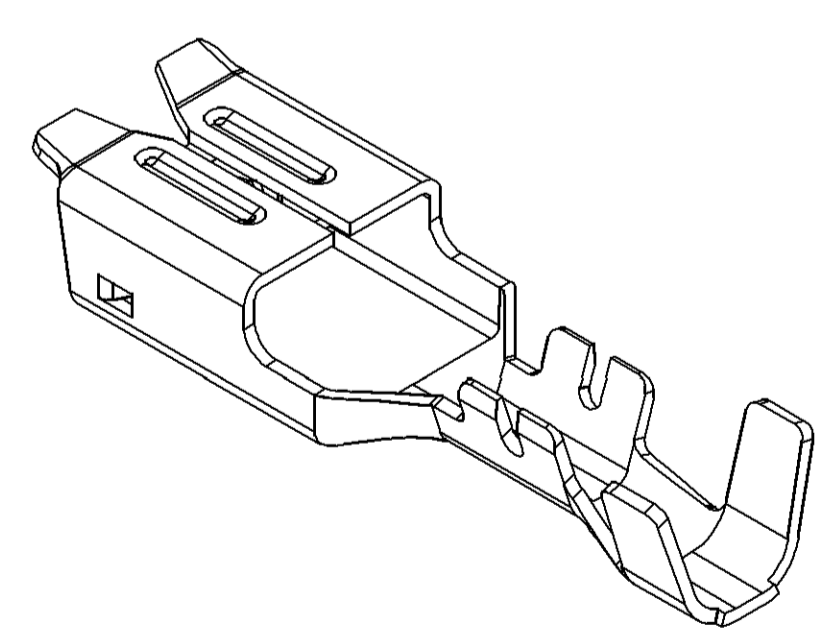
VIEW TO Y-Y



TYPE 102  
SAME AS TYPE 101  
EXCEPT AS SHOWN



TYPE 101



VIEW SCALE DOES NOT REFLECT  
ACTUAL PART SIZE

NOTES

- UNLESS OTHERWISE SPECIFIED AND/OR INDICATED:  
DIMENSIONS ARE TO FACE OF VIEW SHOWN AND AUTOMATICALLY ROUNDED BY COMPUTER FOR INSPECTION (SEE MATH MODEL FOR PRECISE DIMENSIONS). FOR ALL OTHER DIMENSIONS NOT SHOWN BUT REQUIRED FOR TOOL BUILD, SEE MATH MODEL FOR PRECISE TOOL PATH DATA.
- RECOMMENDED MATING BLADE 0.81 THK X 6.3 WIDE
- DO NOT PROBE, TEST OR OTHERWISE CONTACT THE INTERIOR REGION (THE SPRING OR ANY MOVING PART) OF THIS TERMINAL. SEVERE DAMAGE CAN OCCUR, COMPROMISING THE PERFORMANCE OF THE ELECTRICAL INTERFACE.
- FOR TERMINALS PACKAGED & STORED IN THE APPROVED MANNER, TARNISH ON SILVER PLATED SURFACES WILL NOT AFFECT THE PERFORMANCES OF THE PART.

PART NO	REV	N/P	PART NO	REV	N/P	MAT'L SIZE	MAT'L SPEC	SIZE (MM <sup>2</sup> )	ID	Ø	TYPE
15366082	01	AC				0.406 X 38.1	AG PLATED COPPER ALLOY	2 - 1	15	3.97 - 2.48	101 3.7
12052064	D2	--				0.406 X 38.1	TIN PLATED COPPER ALLOY	2 - 1	15	3.97 X 2.48	101 3.7
12047569	E3	--				0.406 X 38.1	TIN PLATED COPPER ALLOY	0.8 - 0.5	19	3.12 - 2.03	102 3.2
12041204	D	--				0.406 X 43.26	TIN PLATED COPPER ALLOY	2 - 1	15	3.97 - 2.48	101 3.7

LINE DRAWN THROUGH PART NUMBER INDICATES THAT PHYSICAL PARTS ARE NOT AVAILABLE FOR ORDERING.

PART NUMBERS THAT DO NOT HAVE A LINE PRESENT INDICATE THAT PHYSICAL PARTS ARE AVAILABLE FOR ORDERING.

CONTACT DELPHI SALES TO ASSURE AVAILABILITY OF PARTS.

DWG TYPE: PART DRAWING

STYLE: [Symbol]

VOLUME (OMP): [Symbol]

DISTR CODE: [Symbol]

UNLESS OTHERWISE SPECIFIED

THIS DOCUMENT IS IN ACCORDANCE WITH ASME Y14.5M-1994 AS MODIFIED BY THE 2003 DIMENSIONING AND TOLERANCING ADDENDUM - 1997. ALL GEOMETRIC TOLERANCES AND RELATED DATUMS APPLY PER RULE #1 (PREFERRED FORM AS MNC) DOES NOT APPLY WHEN RELATIONSHIP BETWEEN FEATURES IS ESTABLISHED BY ORIENTATION OR LOCATION TOLERANCES. SEPARATE POSITION CALLOUTS MAY BE SAVED SEPARATELY, IRRESPECTIVE OF DATUM REFERENCE.

ALL DIMENSIONS ARE IN MILLIMETERS

REFERENCE:

THIRD ANGLE PROJECTION

DO NOT SCALE USE MATH DATA

ANGULAR TOLERANCE ±0.2

**DELPHI**  
DELPHI PACKARD ELECTRICAL/ELECTRONIC ARCHITECTURE

WARREN, OH  
COPYRIGHT 1999 DELPHI CORPORATION AND/OR ITS AFFILIATES. ALL RIGHTS RESERVED.  
REVISED: 05/01

THIS DRAWING IS THE PROPERTY OF DELPHI CORPORATION AND CONTAINS DELPHI CONFIDENTIAL INFORMATION. THE REPRODUCTION, DISTRIBUTION AND UTILIZATION OF THIS DOCUMENT OR ITS RELATED CAD DATA, AS WELL AS COMMUNICATION OF ANY CONTENT TO OTHERS, WITHOUT EXPRESS AUTHORIZATION, IS PROHIBITED.

DATE: [ ]

DR: [ ]

AP/01 L. MACIAS 22MR99

AP/02 JOSE HUERTA 12AP99

AP/03 JOSE HUERTA 12AP99

AP/04 [ ]

SUBSTANCES OF CONCERN AND RECYCLED CONTENT PER DELPHI (094490)

SEE CHART

DRAWING NAME: TAXI TERM F W/P 630 SPL

DRAWING NUMBER: 12045886

SIZE: A0 SCALE: 10:1 FRM NO: 1 OF 1 SHEET NO: 1 OF 1 STG: R REV: 04

## X-ON Electronics

Largest Supplier of Electrical and Electronic Components

*Click to view similar products for [Automotive Connectors](#) category:*

*Click to view products by [APTIV](#) manufacturer:*

Other Similar products are found below :

[003-018-000](#) [60403001](#) [60993906-B](#) [M902-2131](#) [M902-2161](#) [72.330.1035.1](#) [73.353.4028.0](#) [F119300-B](#) [F166900](#) [F258300-B](#) [F358300-B](#)  
[F407400](#) [F444110](#) [F487000](#) [F509500B-B](#) [827153-1](#) [8N1515-32-24P](#) [9-1326729-8](#) [925474-1](#) [928905-1](#) [964562-4](#) [968782-1](#) [GT17SA-8DS-](#)  
[HU](#) [98891-1012](#) [98947-1016](#) [12004475-L](#) [12010290](#) [12010309-B](#) [12015454](#) [12020219-B](#) [12020308](#) [12041318-B](#) [12052225-L](#) [12052466](#)  
[12059125](#) [12064869](#) [12004327-B](#) [12010503-B](#) [12015308](#) [12015384](#) [12015909](#) [1-21030-1](#) [12041254](#) [12041318](#) [12047946-B](#) [12047957](#)  
[12047957-L](#) [12059473](#) [12066261](#) [12110546](#)