

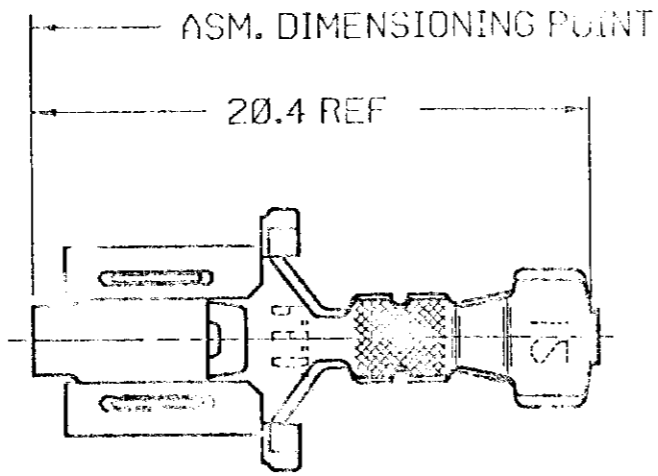
PACKARD ELECTRIC DIVISION
GENERAL MOTORS CORPORATION
WARREN, OH

D

THIS DRAWING AND DESIGN HEREON CONSTITUTE A PROPRIETARY DESIGN OF PACKARD ELECTRIC DIVISION AND IS NOT TO BE DUPLICATED OR REPRODUCED WITHOUT AUTHORITY OF PACKARD ELECTRIC DIVISION.

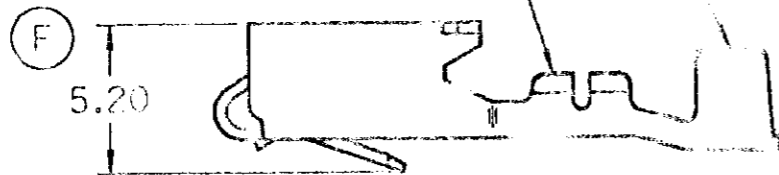
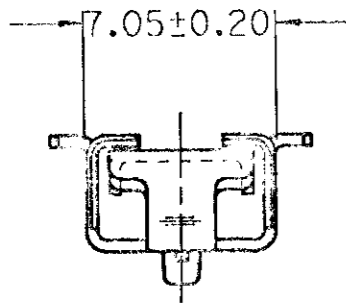
DO NOT SCALE

PART NO. 1205 2227



INSULATION WINGS FOR
3.18 MM MAX. INSUL. DIA.

CONDUCTOR WINGS FOR
3.0 MM CABLE



WARNING
GEOMETRY MAY NOT BE
DRAWN TO SCALE

DATE	SYM	REVISION RECORD	AUTHORITY	DR	CHK
18JUL88		REWORKED & REVISED; "A" LEVEL PENDING			
		REWORKED - REV LEVEL REMAINS AT "B"	120124	AL	DKS
18JUL88	C	PICTURE REVISED	120125	AL	DKS
18JUL88	D	PICTURE REVISED	120127		DKS
30SEP91	E	REFERENCE NO. WAS 12015135 "E" SIZE SHEET #1	12005	JK	JK
30JUN93	F	REVISED GRAPHICS 5.20 WAS 5.10	154003	JK	JK

IPED/INSCOMM
FORM 88

THIRD ANGLE PROJECTION

CODE NO. 6000

DATE 10/84

REFERENCE NO. 12015135 "D" SIZE

MATERIAL SPEC. 0.406 THK. T10 BRASS-TIN PLATED

TEMPERATURE TENSILE M/P 630 SPL

PART NO. 1205 2227

OUTLINE DRAWING

SCALE B

PACKARD ELECTRIC

X-ON Electronics

Largest Supplier of Electrical and Electronic Components

Click to view similar products for [Automotive Connectors](#) category:

Click to view products by [APTIV](#) manufacturer:

Other Similar products are found below :

[003-018-000](#) [60403001](#) [60993906-B](#) [629515004020001](#) [M902-2131](#) [M902-2161](#) [72.330.1035.1](#) [73.353.4028.0](#) [F119300-B](#) [F166900](#)
[F258300-B](#) [F358300-B](#) [F407400](#) [F444110](#) [F487000](#) [F509500B-B](#) [827153-1](#) [8N1515-32-24P](#) [9-1326729-8](#) [925474-1](#) [928905-1](#) [964562-4](#)
[968782-1](#) [GT17SA-8DS-HU](#) [98891-1012](#) [98947-1016](#) [12004475-L](#) [12010290](#) [12010309-B](#) [12015454](#) [12020219-B](#) [12020308](#) [12041318-B](#)
[12052225-L](#) [12052466](#) [12059125](#) [12064869](#) [12004327-B](#) [12010503-B](#) [12015308](#) [12015384](#) [12015909](#) [1-21030-1](#) [12041254](#) [12041318](#)
[12047946-B](#) [12047957](#) [12047957-L](#) [12059473](#) [12066261](#)