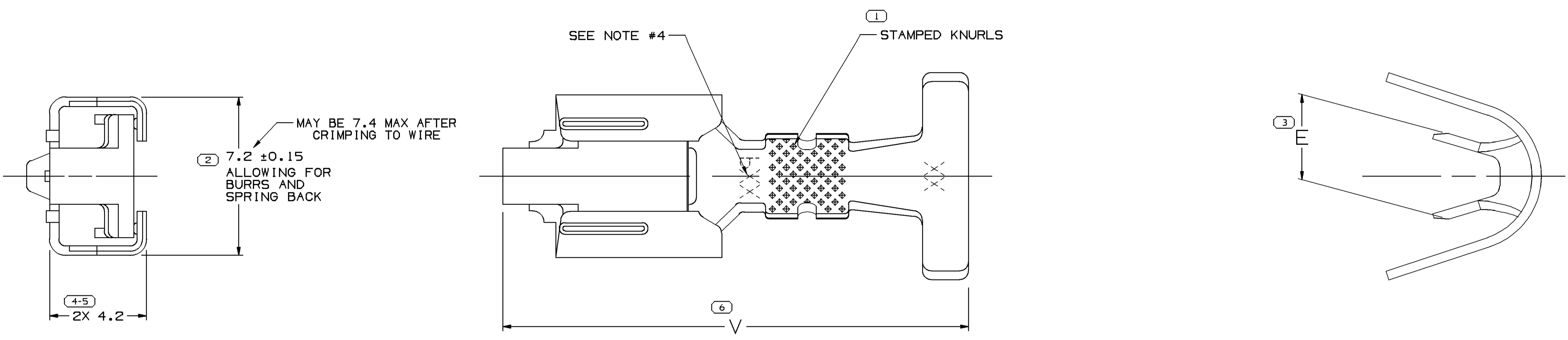
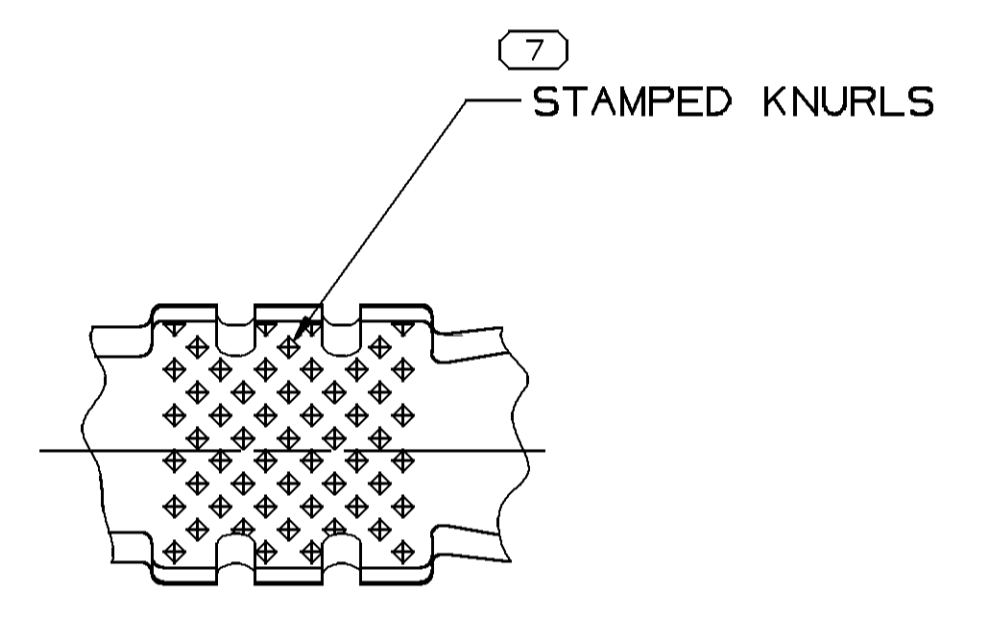
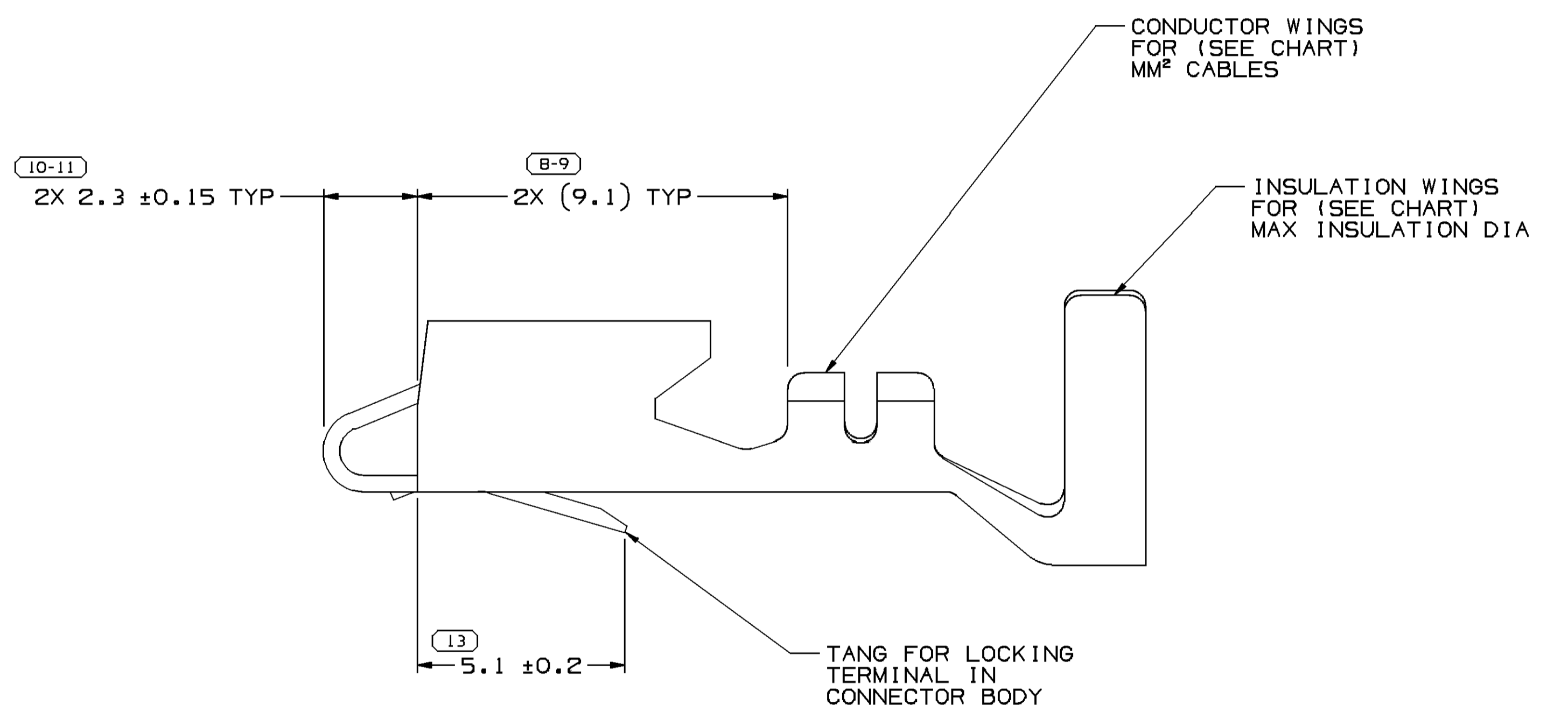


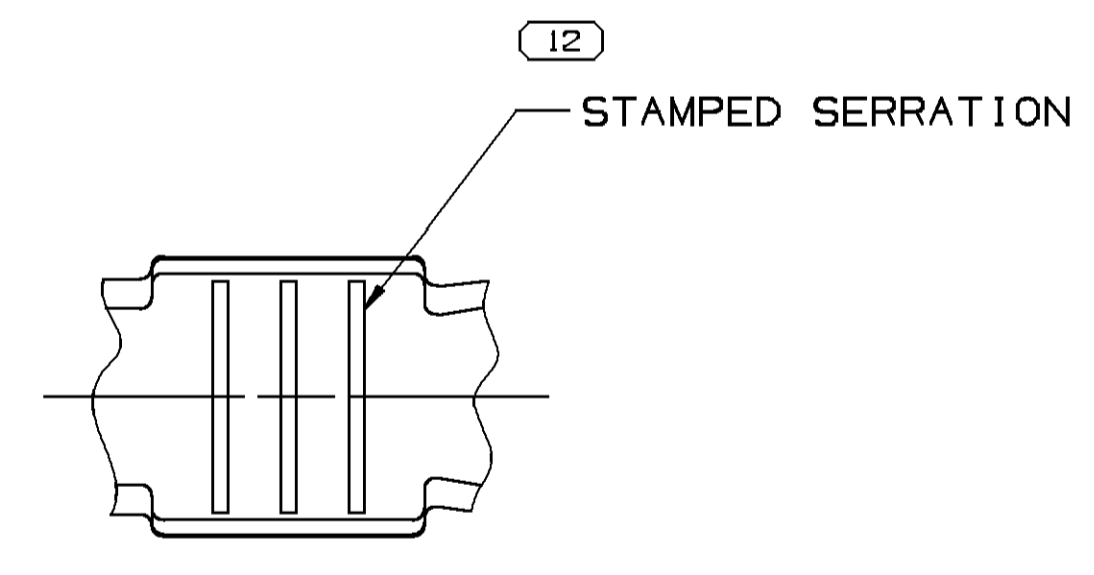
SYMBOL DEFINITION		MISSING NUMBERS		DWS STATUS		ZONE		REVISION HISTORY		AUTH	DR	AP/VD	AP/VD
DATE	STG	REV	IN/P	CHG	DATE	STG	REV	IN/P	CHG				
27AU99	R	001	-	-	14-16,					990009	RGT	OMP	JH
27AU99	R	002	-	-						198182	RGT	OMP	JH
09JA03	R	03	-	-						230755	ECB	JAA	AGL
29ND04	R	04	-	-	15305232 - REVISED MATERIAL CODE					261521	END	END	B6
21FE05	R	05	-	-	ALL ACTIVE PARTS - UPDATED MAT'L SPECS; REVISED MATING BLADE TOLERANCE (NOTE#2): 7.05+0.3-0.2 WAS 7.05+0.25-0.3 & ADDED NOTE #5					264738	END	END	B6
06JN05	R	06	-	-	REVISED GRAPHICS					268139	MM	MM	B6
270C06	R	07	-	-	UPDATED PDM ATTRIBUTES					286199	MM	MM	B6
19JUL11	R	08	-	-	ALL ACTIVE PARTS - DIM "V" TOL WAS ±0.3					414803	HRS	HRS	GEM
15AU12	R	09	-	-	UPDATED PDM ATTRIBUTES					418815	JFF	JFF	JFF
18FE15	R	10	-	-	15305232 & 15317332 - ADDED TARNISH INFO					428877	ABH	JVM	JSM



TYPE 101

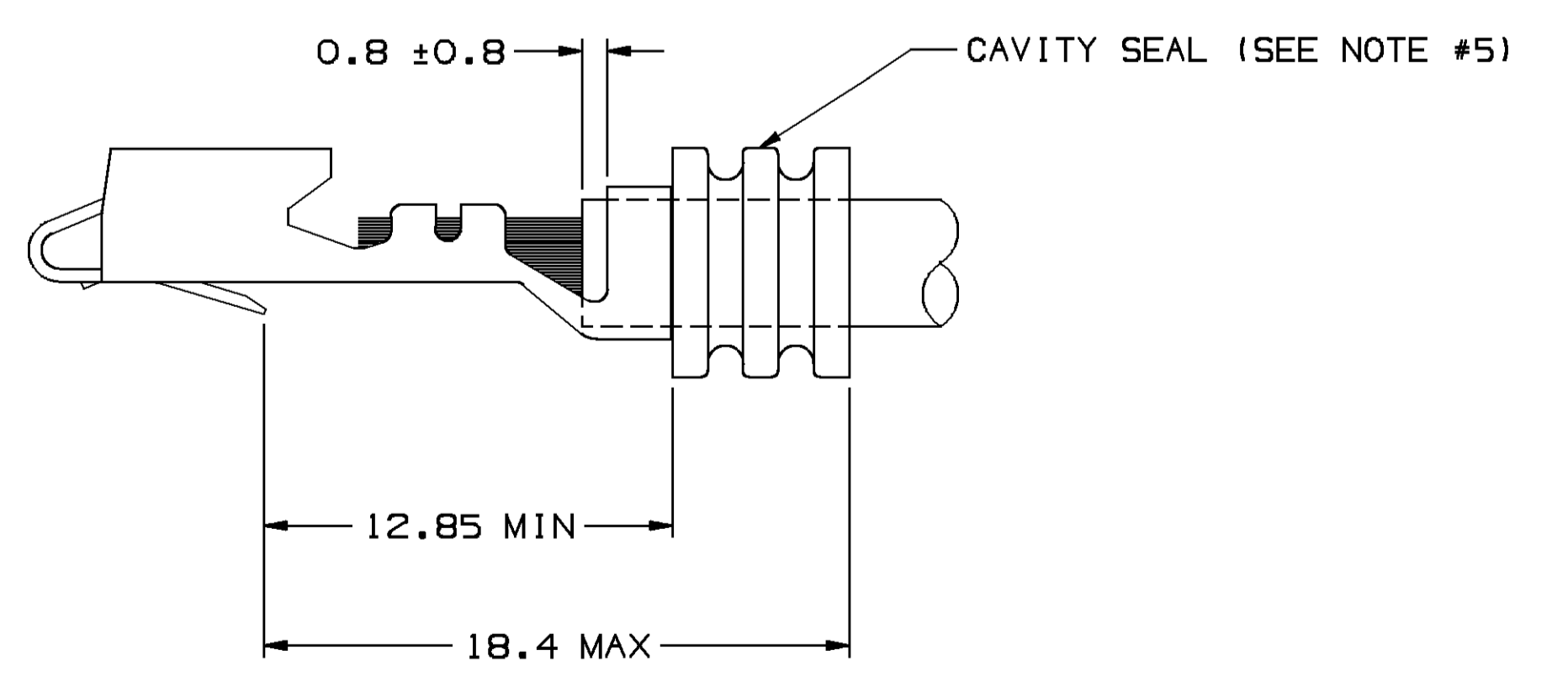


TYPE 102
SAME AS TYPE 101
EXCEPT AS SHOWN

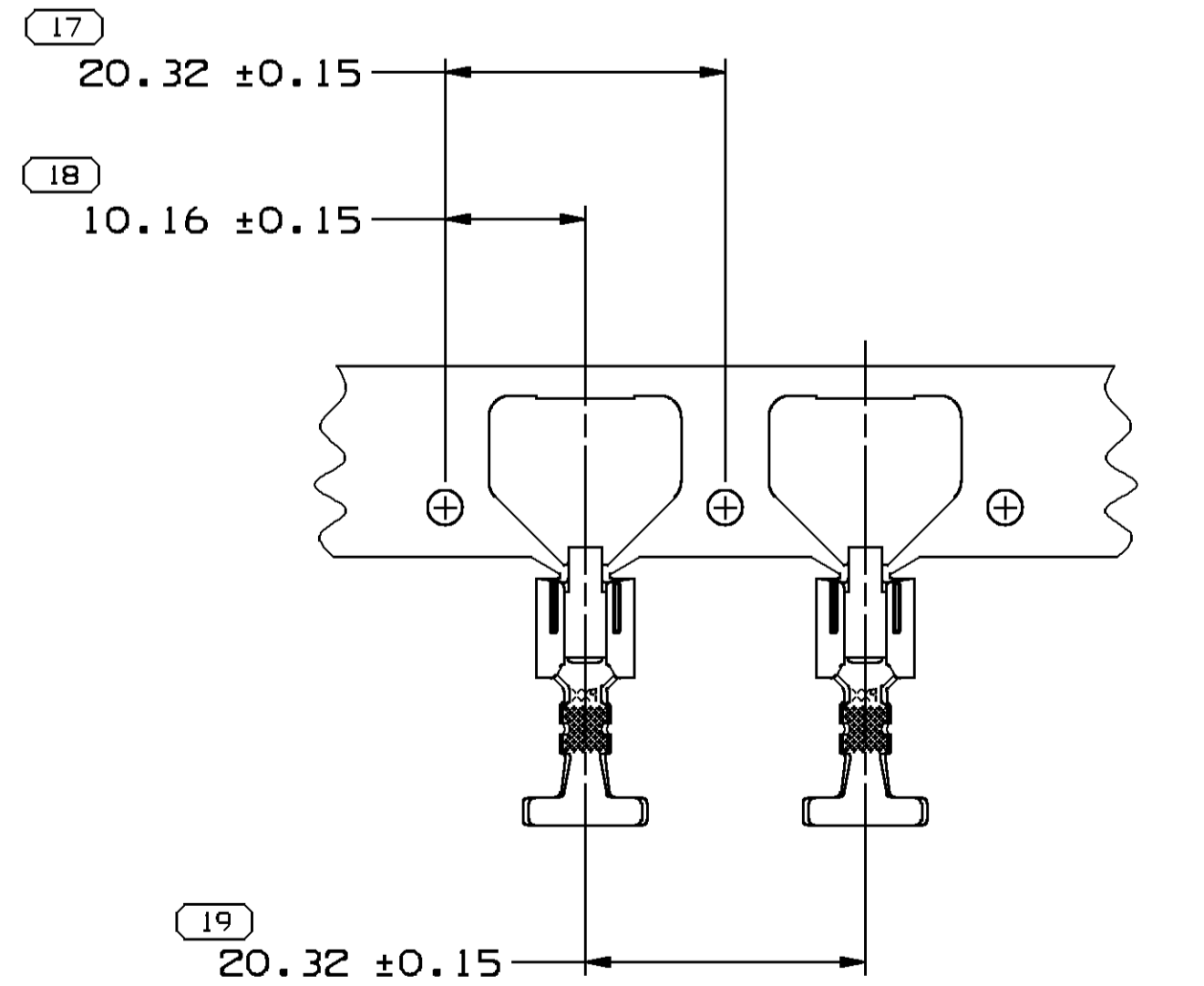


TYPE 103
SAME AS TYPE 101
EXCEPT AS SHOWN

TYPE 104
SAME AS TYPE 103
EXCEPT AS SHOWN



SCALE 5:1



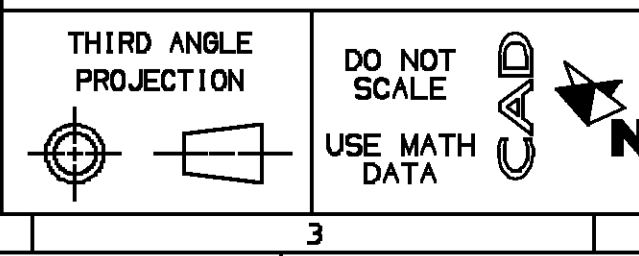
CARRIER STRIP VIEW
SCALE 2:1

NOTES

- UNLESS OTHERWISE SPECIFIED AND/OR INDICATED: DIMENSIONS ARE TO FACE OF VIEW SHOWN AND AUTOMATICALLY ROUNDED BY COMPUTER FOR INSPECTION (SEE MATH MODEL FOR PRECISE DIMENSIONS). FOR ALL OTHER DIMENSIONS NOT SHOWN BUT REQUIRED FOR TOOL BUILD, SEE MATH MODEL FOR PRECISE TOOL PATH DATA.
- RECOMMENDED MATING BLADE 0.8 +0.04/-0.03 THK X 6.3 ±0.1 WIDE.
- THIS PART ACCEPTS THE FOLLOWING COMPONENTS OR EQUIVALENT: TERMINAL 12020127
- "PXX" INDICATES "P" PLUS LAST TWO DIGITS OF MAKE DIE SERIES NUMBER (PO1, PO2, PO3, ETC).
- TERMINAL TO CRIMP AND RETAIN CAVITY SEAL 120523B6 OR EQUIVALENT.
- DO NOT PROBE, TEST OR OTHERWISE CONTACT THE INTERIOR REGION (THE SPRING OR ANY MOVING PART) OF THIS TERMINAL. SEVERE DAMAGE CAN OCCUR, COMPROMISING THE PERFORMANCE OF THE ELECTRICAL INTERFACE.
- FOR TERMINALS PACKAGED & STORED IN THE APPROVED MANNER, TARNISH ON SILVER PLATED SURFACES WILL NOT AFFECT THE PERFORMANCE OF THE PART.

PART NO	REV	IN/P	MAT'L SIZE	MAT'L SPEC	PART NO	REV	IN/P	MAT'L SIZE	MAT'L SPEC	SIZE (MM ²)	ID	DIA	TYPE
15317332	03	AD	0.406 X 33.32	AG PLATED COPPER NICKEL ALLOY	6-4	10	5.24	104	5.7	19.48			
15317331	03	AC	0.406 X 33.32	COPPER ALLOY	6-4	10	5.24	103	5.7	19.48			
15305232	02	AD	0.406 X 33.32	AG PLATED COPPER NICKEL ALLOY	5-3	11	5.24	101	4.6	19.48			
12052458	F	-	0.406 X 33.32	COPPER ALLOY	3	12	4.9	101	4.6	19.79			
12052457	08	AC	0.406 X 33.32	COPPER ALLOY	0.8-0.5	19	2.68	102	3.2	19.79			
12052456	09	AC	0.406 X 33.32	COPPER ALLOY	5-3	11	5.24	101	4.6	19.48			
12052455	07	AC	0.406 X 33.32	COPPER ALLOY	2-1	15	3.59	101	3.7	19.79			
UNPLATED													

DIMENSIONAL RANGE (MM)		CHART ID
FROM	TO	
0	> 12	
TOLERANCE UNLESS OTHERWISE SPECIFIED		
±0.1	±0.2	
ANGULAR TOLERANCE ±2°		



DO NOT SCALE	USE MATH DATA
--------------	---------------

DELPHI
DELPHI PACKARD ELECTRICAL/ELECTRONIC ARCHITECTURE
WARREN, OH
COPYRIGHT 1988 DELPHI CORPORATION AND/OR ITS AFFILIATES. ALL RIGHTS RESERVED.
THIS DRAWING IS THE PROPERTY OF DELPHI CORPORATION AND CONTAINS DELPHI CONFIDENTIAL INFORMATION. THE REPRODUCTION, DISTRIBUTION AND UTILIZATION OF THIS DOCUMENT OR ITS CONTENTS OR DATA, AS WELL AS COMMUNICATION OF ANY CONTENT TO OTHERS, WITHOUT EXPRESS AUTHORIZATION, IS PROHIBITED.

OR	DATE
APV01 ANDY T. LE	22JUL88
APV02 J. COLDSNOW	22JUL88
APV03 R. D. KEARNS	31AUB8
APV04	
APV05	

SUBSTANCES OF CONCERN AND RECYCLED CONTENT PER DELPHI (944901)

MATERIAL: SEE CHART

DRAWING NUMBER: TAXI TERM F M/P 630 SEALED TANG

DRAWING NUMBER: 12088013

SIZE	SCALE	FRAME NO	SHEET NO	STG	REV	IN/P
A0	10:1	1	1	OF 3	R	10

X-ON Electronics

Largest Supplier of Electrical and Electronic Components

Click to view similar products for [Automotive Connectors](#) category:

Click to view products by [APTIV](#) manufacturer:

Other Similar products are found below :

[003-018-000](#) [60403001](#) [60993906-B](#) [629515004020001](#) [M902-2131](#) [M902-2161](#) [72.330.1035.1](#) [73.353.4028.0](#) [F119300-B](#) [F166900](#)
[F258300-B](#) [F358300-B](#) [F407400](#) [F444110](#) [F487000](#) [F509500B-B](#) [827153-1](#) [8N1515-32-24P](#) [9-1326729-8](#) [925474-1](#) [928905-1](#) [964562-4](#)
[968782-1](#) [GT17SA-8DS-HU](#) [98891-1012](#) [98947-1016](#) [12004475-L](#) [12010290](#) [12010309-B](#) [12015454](#) [12020219-B](#) [12020308](#) [12041318-B](#)
[12052225-L](#) [12052466](#) [12059125](#) [12064869](#) [12004327-B](#) [12010503-B](#) [12015308](#) [12015384](#) [12015909](#) [1-21030-1](#) [12041254](#) [12041318](#)
[12047946-B](#) [12047957](#) [12047957-L](#) [12059473](#) [12066261](#)