

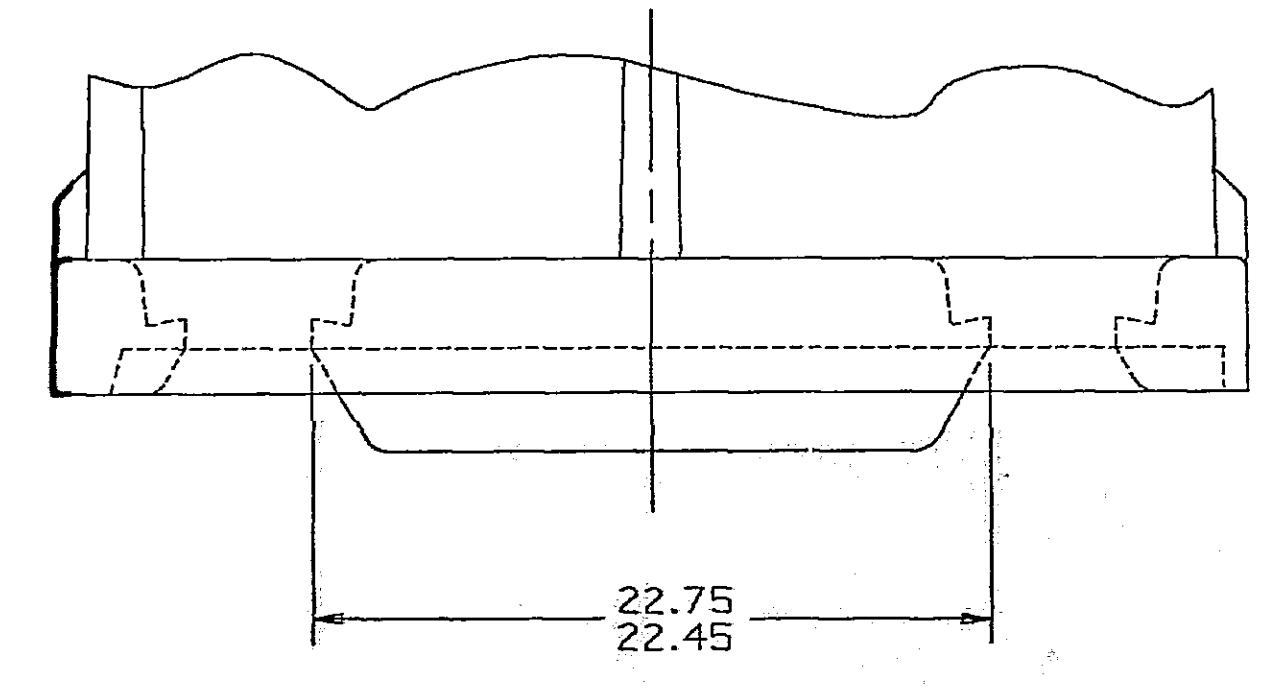
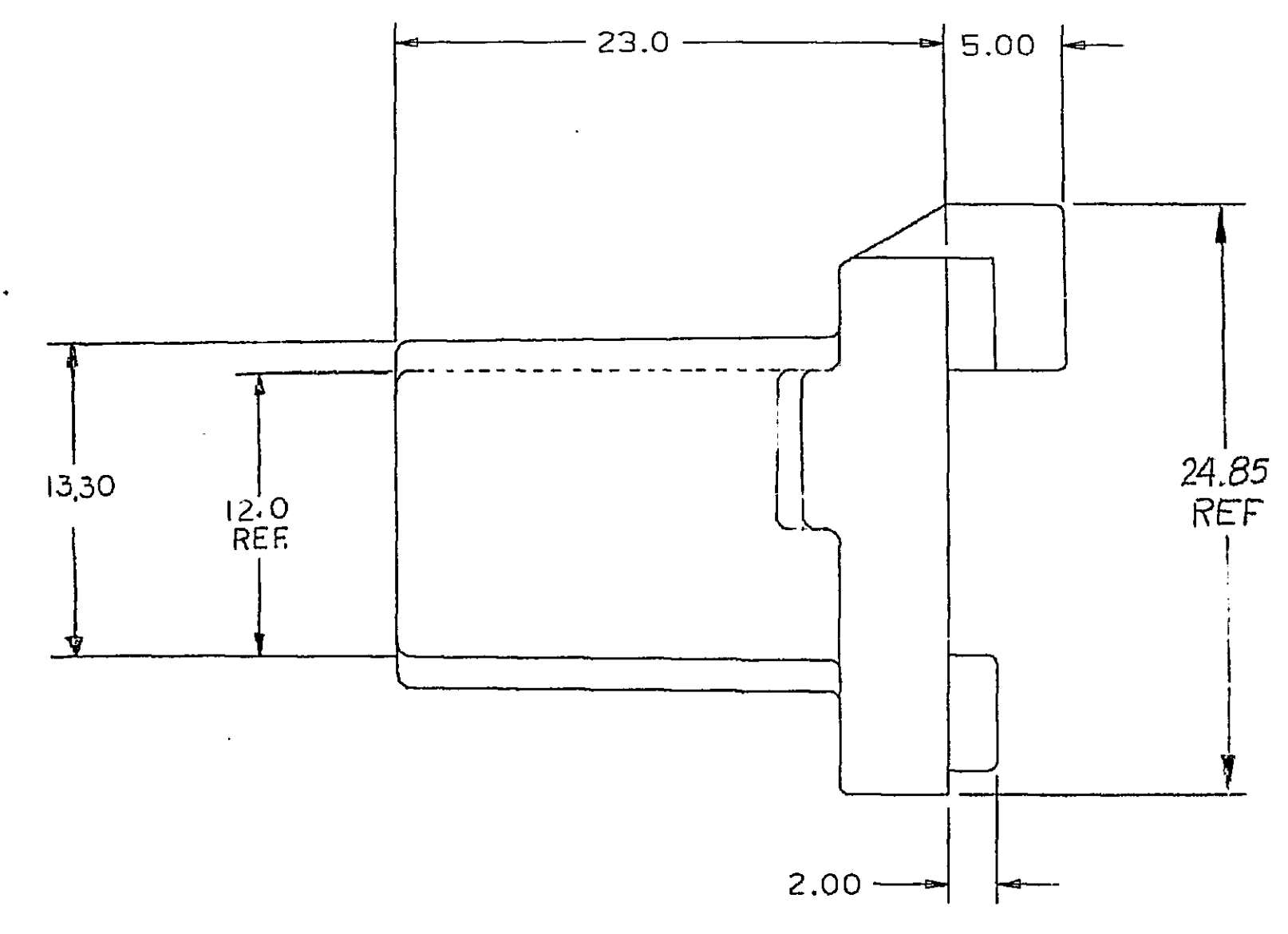
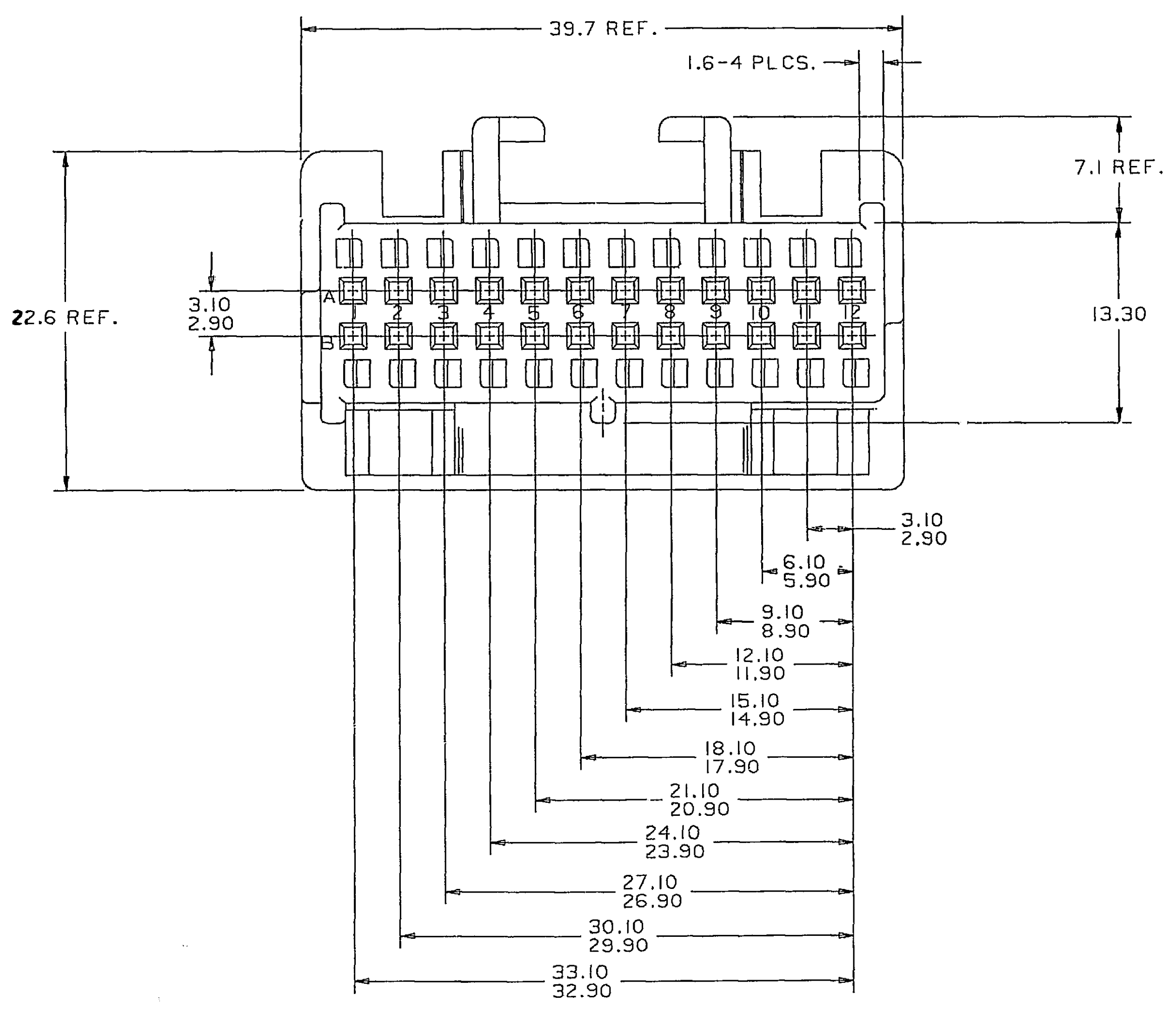
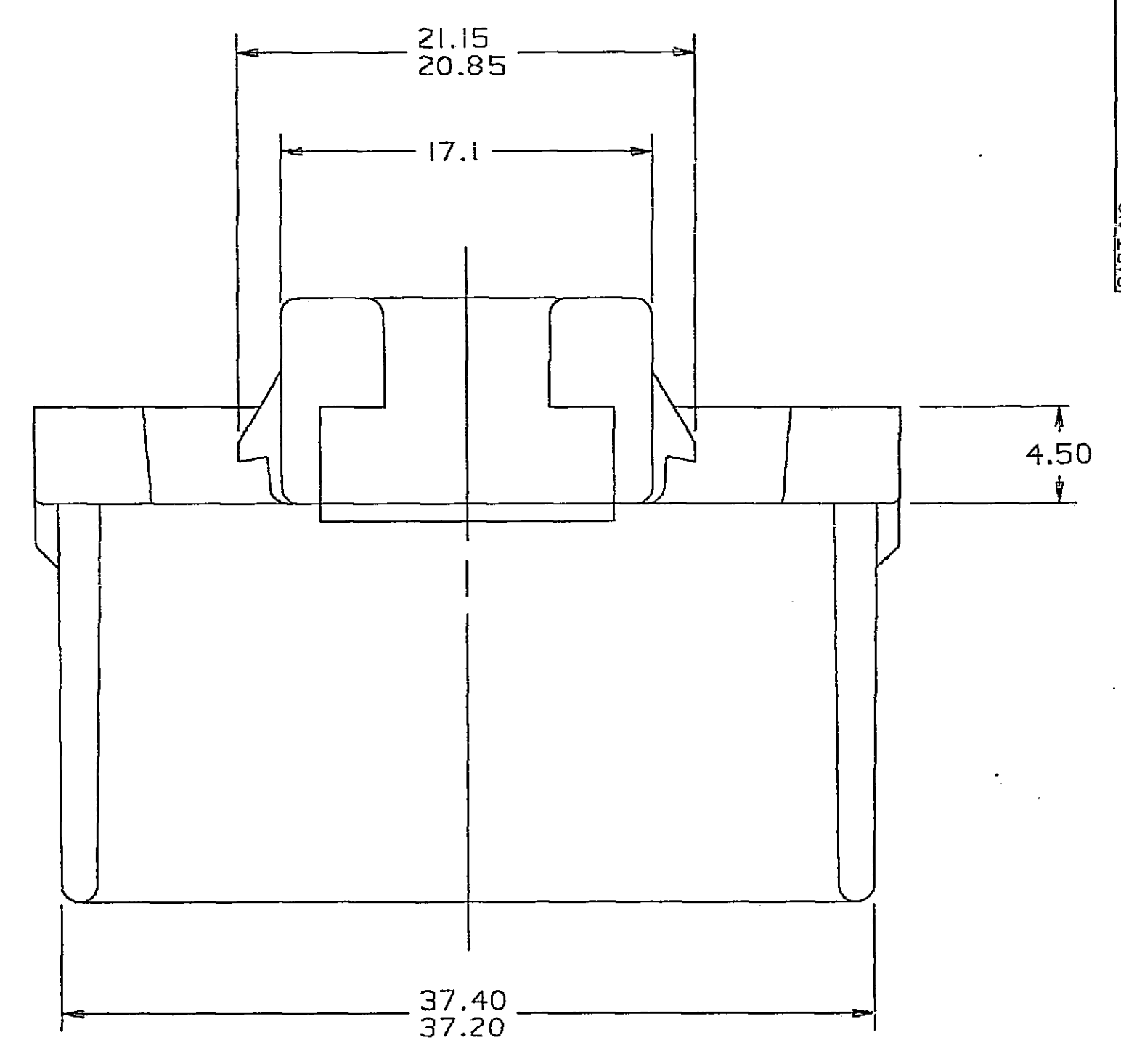
D

THIS DRAWING AND DESIGN HEREON CONSTITUTES A PROPRIETARY DESIGN OF PACKARD ELECTRIC DIVISION AND IS NOT TO BE DUPLICATED OR REPRODUCED WITHOUT AUTHORITY OF PACKARD ELECTRIC DIVISION.

DO NOT SCALE

1205 9125

PART NO. 1205 9125



DATE	SYM	REVISION RECORD	AUTH	DR	CK
28AP87	A	PART NO WAS PE001392 & RELEASED.	870005	JPH	FH
21MY87		REVISED NOTE #2 & ADDED NOTE #4	113598	JPH	FH
300C87		REVISED NOTE #4 & ADDED NOTE #5	116529	JPH	TM
24JL89		REVISED NAME	128147	FH	JH
27AU91		REVISED GRAPHICS, ADDED 12.0 REF. DIM. & NOTE #6, REMOVED			
		12.10/11.90 DIM.	144229	TS	AF
24SE92		REVISED NOTES #1 & #2, ADDED 24.85 REF DIM, NO REV. UPDATE REQ'D			
			151182	GH	GH
11DE95		MAT'L WAS PM002350-011 NO REVISION UPDATE REQ'D	168454	JHH	JHH

PACKARD ELECTRIC DIVISION
GENERAL MOTORS CORPORATION
WARREN, OHIO

As of 06JL90 this drawing is no longer being used on computer vision

- NOTES**
1. CAVITIES A12 AND B1 CAN ACCEPT TERMINAL 12089649 OR EQUIVALENT. ALL CAVITIES CAN ACCEPT TERMINAL 12089660 OR EQUIVALENT.
 2. CAVITIES A12 AND B1 CAN ACCEPT MAX. INSULATION CRIMP OF 3.55 HIGH AND 3.50 WIDE (3.55 MAX CABLE O.D.) ALL OTHER CAVITIES ACCEPT A MAX INSULATION CRIMP OF 2.30 HIGH AND 3.50 WIDE (2.40 MAX CABLE O.D.). REFER TO ESA-605 FOR CRIMP DIMENSIONS.
 3. MATING CONNECTOR 12052180 OR EQUIVALENT.
 4. THIS CONNECTOR TO ACCEPT TERMINAL POSITION ASSURANCE 12047900 AND 12047901 FOR STRAIGHT WIRE DRESS, 12047900 AND 12048244 FOR RIGHT ANGLE WIRE DRESS OR EQUIVALENT.
 5. THIS CONNECTOR TO ACCEPT CONNECTOR POSITION ASSURANCE 12077899 OR EQUIVALENT.
 6. DIMENSIONS MARKED "REF" ARE FOR REFERENCE ONLY, AND NO TOLERANCE LIMITS ARE ESTABLISHED.

METRIC
DIMENSIONS ARE IN MILLIMETERS UNLESS OTHERWISE SPECIFIED

THIRD ANGLE PROJECTION

CODE NO. 6900, 6901

TOLERANCE UNLESS OTHERWISE SPECIFIED
DECIMAL: ONE PLACE ± 0.3 TWO PLACE ± 0.15 ANGULAR ± 2°

QC

DWG DATE 28AP87 SCALE NONE DR. G. Parker 28AP87

CD.C.MICRO.F.24.12059125.00 CK-F HESTON DATE 30AP87

REFERENCE NO. 12052176 "R" SIZE APPR. WYNDEN WYNELBERG DATE 01MY87

MATERIAL SPEC R01CQ121 PBT-GF30-PPL APPR. J. DAUGHERTY DATE 05MY87

NAME CONN 24F MIC/P 100

PART NO. 1205 9125 SIZE D

OUTLINE DRAWING

044D1953

PACKARD ELECTRIC

X-ON Electronics

Largest Supplier of Electrical and Electronic Components

Click to view similar products for [Automotive Connectors](#) category:

Click to view products by [APTIV](#) manufacturer:

Other Similar products are found below :

[003-018-000](#) [60403001](#) [60993906-B](#) [629515004020001](#) [M902-2131](#) [M902-2161](#) [72.330.1035.1](#) [73.353.4028.0](#) [F119300-B](#) [F166900](#)
[F258300-B](#) [F358300-B](#) [F407400](#) [F444110](#) [F487000](#) [F509500B-B](#) [827153-1](#) [8N1515-32-24P](#) [9-1326729-8](#) [925474-1](#) [928905-1](#) [964562-4](#)
[968782-1](#) [GT17SA-8DS-HU](#) [98891-1012](#) [98947-1016](#) [12004475-L](#) [12010290](#) [12010309-B](#) [12015454](#) [12020219-B](#) [12020308](#) [12041318-B](#)
[12052225-L](#) [12052466](#) [12059125](#) [12064869](#) [12004327-B](#) [12010503-B](#) [12015308](#) [12015384](#) [12015909](#) [1-21030-1](#) [12041254](#) [12041318](#)
[12047946-B](#) [12047957](#) [12047957-L](#) [12059473](#) [12066261](#)