

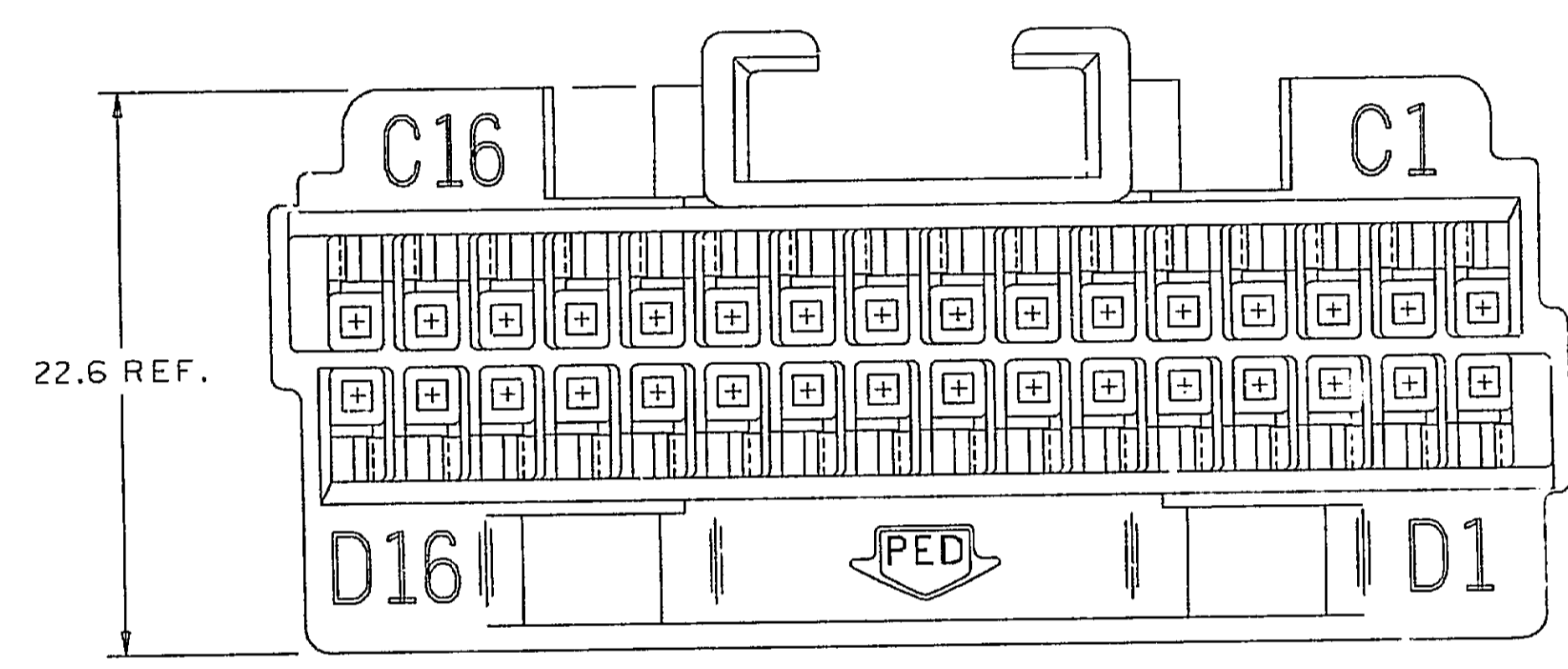
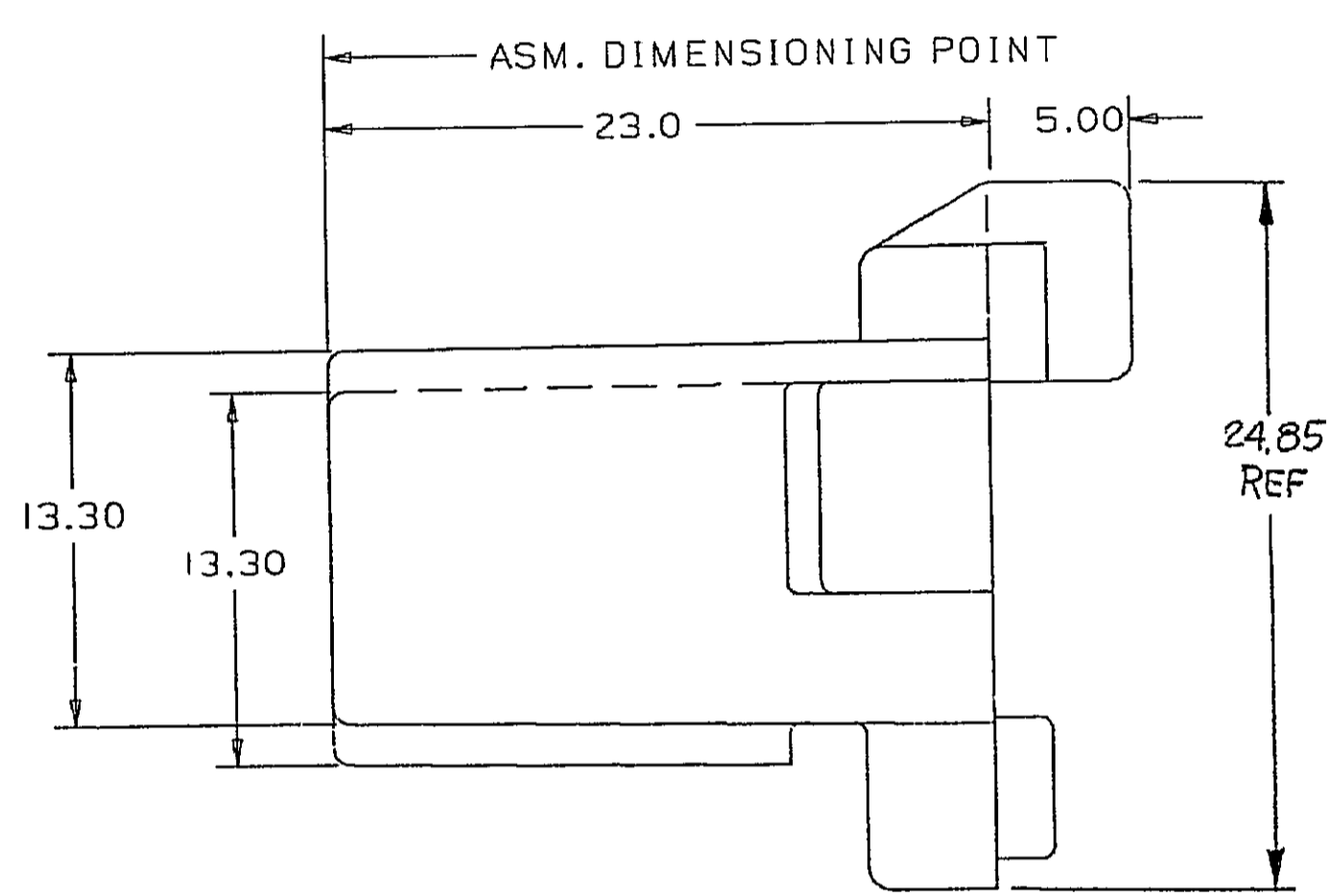
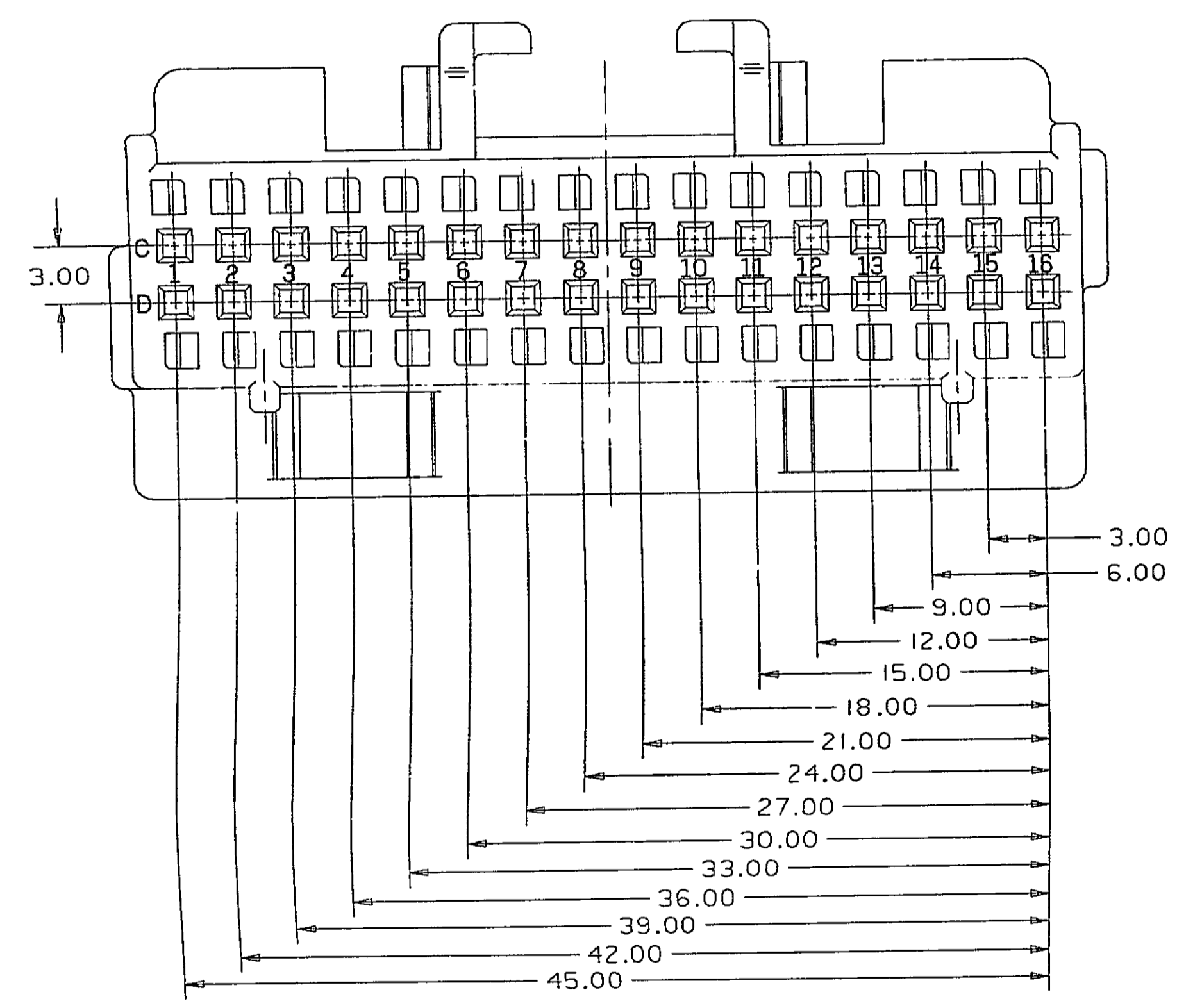
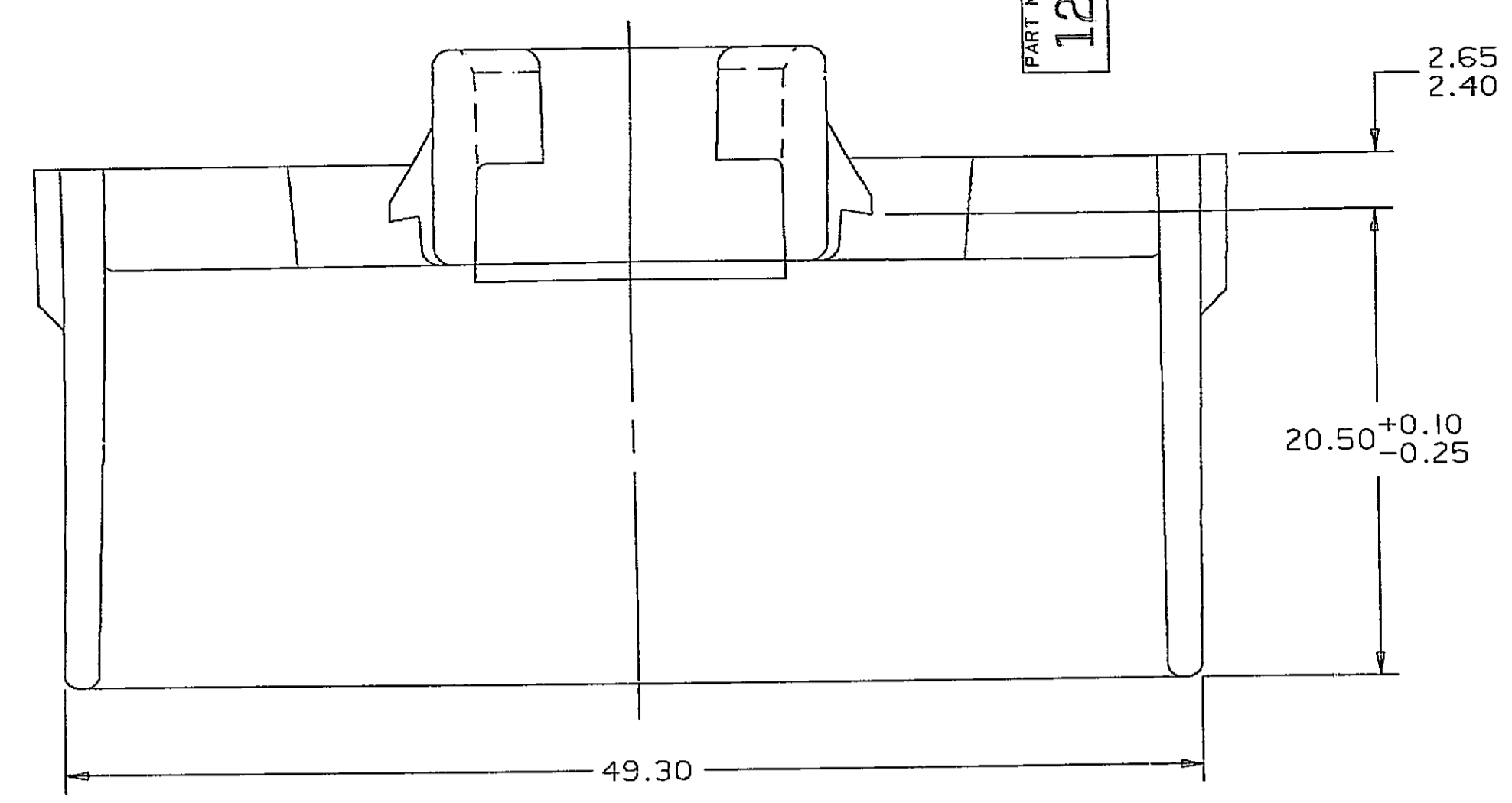
D

THIS DRAWING AND DESIGN HEREON CONSTITUTE A PROPRIETARY DESIGN OF PACKARD ELECTRIC DIVISION AND IS NOT TO BE REPRODUCED OR REPRODUCED WITHOUT AUTHORITY OF PACKARD ELECTRIC DIVISION.

DO NOT SCALE

PART NO. 1205 9126

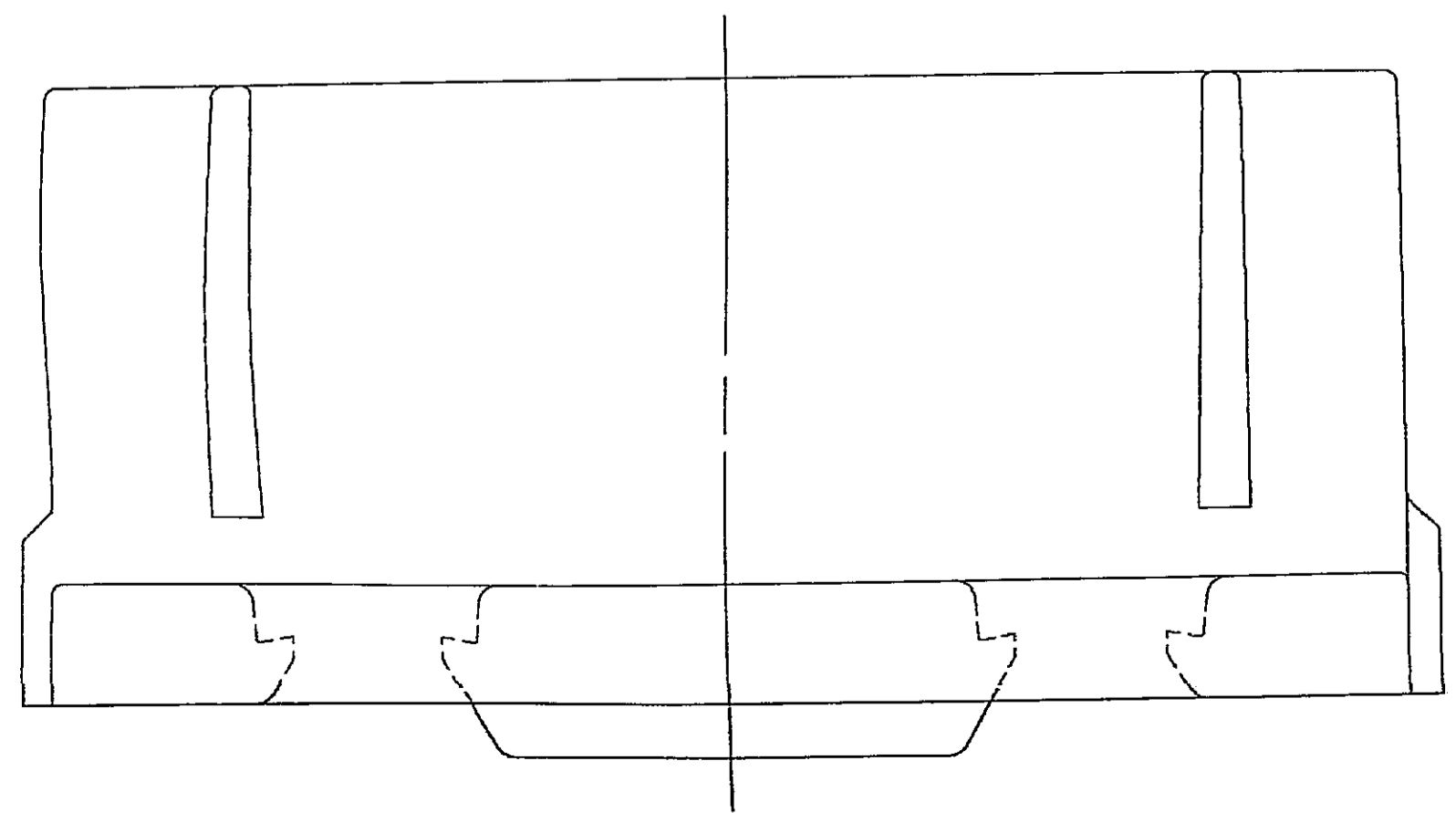
PART NO. 1205 9126



DATE	SYM	REVISION RECORD	AUTH	DR	CK
29AP87	A	PART NO. WAS PE001393 & RELEASED.	870005	JR	GF
28OC87	—	ADDED NOTES 3&4.	116529	JEH	JM
16OC 92	—	REVISED NOTES & ADDED DIM	151178	GH	GH
24FE09	A3	UPDATED MATERIAL CALLOUT	407406	AG	AG

PACKARD ELECTRIC DIVISION  
GENERAL MOTORS CORPORATION  
WARREN, OHIO

137-A  
76V



- NOTES** — 1. CAVITIES C16 AND D1 CAN ACCEPT TERMINAL I2089649 OR EQUIVALENT. ALL CAVITIES CAN ACCEPT TERMINAL I2089660 OR EQUIVALENT.  
 2. CAVITIES C16 AND D1 CAN ACCEPT A MAX INSULATION CRIMP OF 3.55 HIGH AND 3.50 WIDE (3.55 MAX CABLE O.D.) ALL OTHER CAVITIES ACCEPT A MAX INSULATION CRIMP OF 2.30 HIGH AND 3.50 WIDE (2.40 MAX CABLE O.D.) REFER TO ESA-605 FOR CRIMP DIMENSIONS.  
 3. MATING INSULATOR I2059119, ASM I2059120 OR EQUIVALENT.  
 4. USE SECONDARY LOCK I2045389 AND I2045890 FOR STRAIGHT AND I2045889 AND I2048245 FOR RIGHT ANGLE OR EQUIVALENT.

As of 06 JUL 90  
maintained on file for provision.

**METRIC**  
DIMENSIONS ARE IN MILLIMETERS UNLESS OTHERWISE SPECIFIED

THIRD ANGLE PROJECTION

CODE NO. 6900,6901  
TOLERANCE UNLESS OTHERWISE SPECIFIED  
DECIMAL: ONE PLACE ± 0.2 TWO PLACE ± 0.10 ANGULAR ± 2°

DWG DATE 29AP87 SCALE NONE DR. G. Parker 29AP87  
CD, C. MICRO, F. 32, I2059126.00 CK. G. FERANCE DATE 11MY87  
REFERENCE NO. APPR. M. VANDEN WYNELEBERG DATE 12MY87  
I2045536 "R" SIZE APPR. J. DAUGHERTY DATE 12MY87

MATERIAL SPEC. POLYESTER COMPOUND PURPLE

NAME CONN 32F MIC/P 3MM

PART NO. 1205 9126 SIZE D  
OUTLINE DRAWING

C04D1954

PACKARD ELECTRIC

## X-ON Electronics

Largest Supplier of Electrical and Electronic Components

*Click to view similar products for [Automotive Connectors](#) category:*

*Click to view products by [APTIV](#) manufacturer:*

Other Similar products are found below :

[003-018-000](#) [60403001](#) [60993906-B](#) [M902-2131](#) [M902-2161](#) [72.330.1035.1](#) [73.353.4028.0](#) [F119300-B](#) [F166900](#) [F258300-B](#) [F358300-B](#)  
[F407400](#) [F444110](#) [F487000](#) [F509500B-B](#) [827153-1](#) [8N1515-32-24P](#) [9-1326729-8](#) [925474-1](#) [928905-1](#) [964562-4](#) [968782-1](#) [GT17SA-8DS-](#)  
[HU](#) [98891-1012](#) [98947-1016](#) [12004475-L](#) [12010290](#) [12010309-B](#) [12015454](#) [12020219-B](#) [12020308](#) [12041318-B](#) [12052225-L](#) [12052466](#)  
[12059125](#) [12064869](#) [12004327-B](#) [12010503-B](#) [12015308](#) [12015384](#) [12015909](#) [1-21030-1](#) [12041254](#) [12041318](#) [12047946-B](#) [12047957](#)  
[12047957-L](#) [12059473](#) [12066261](#) [12110546](#)