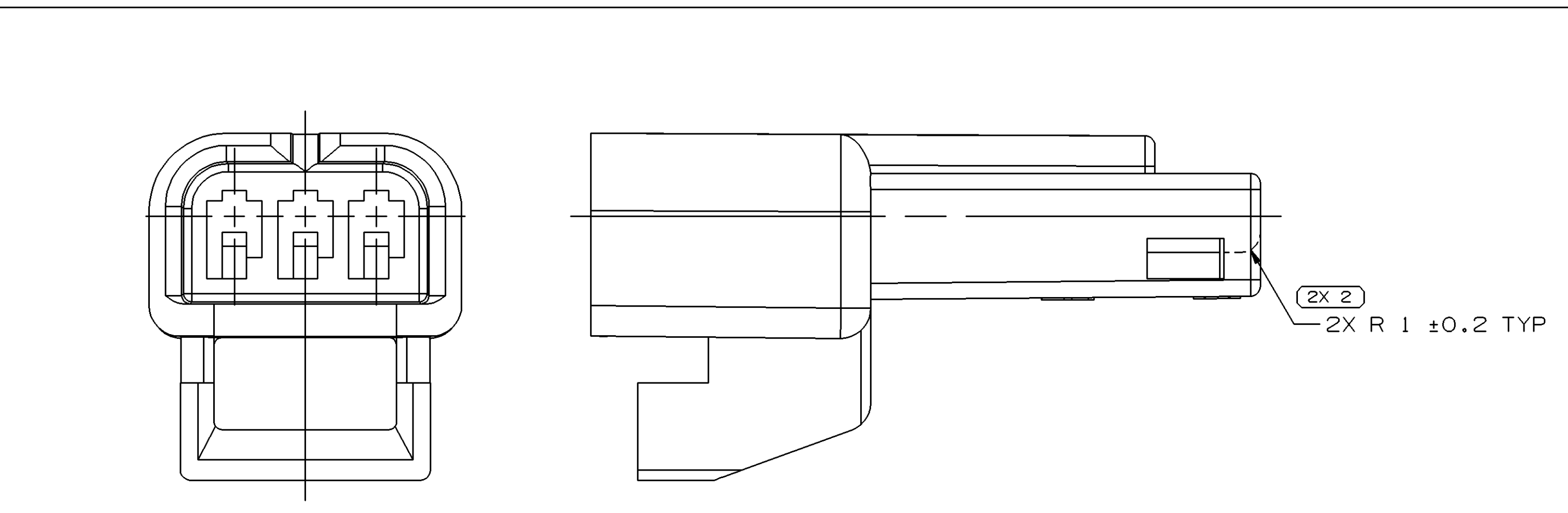
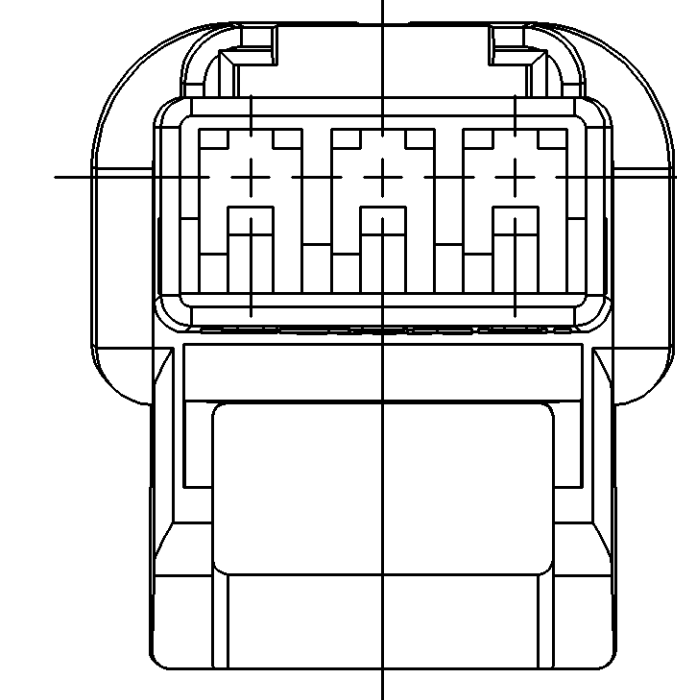
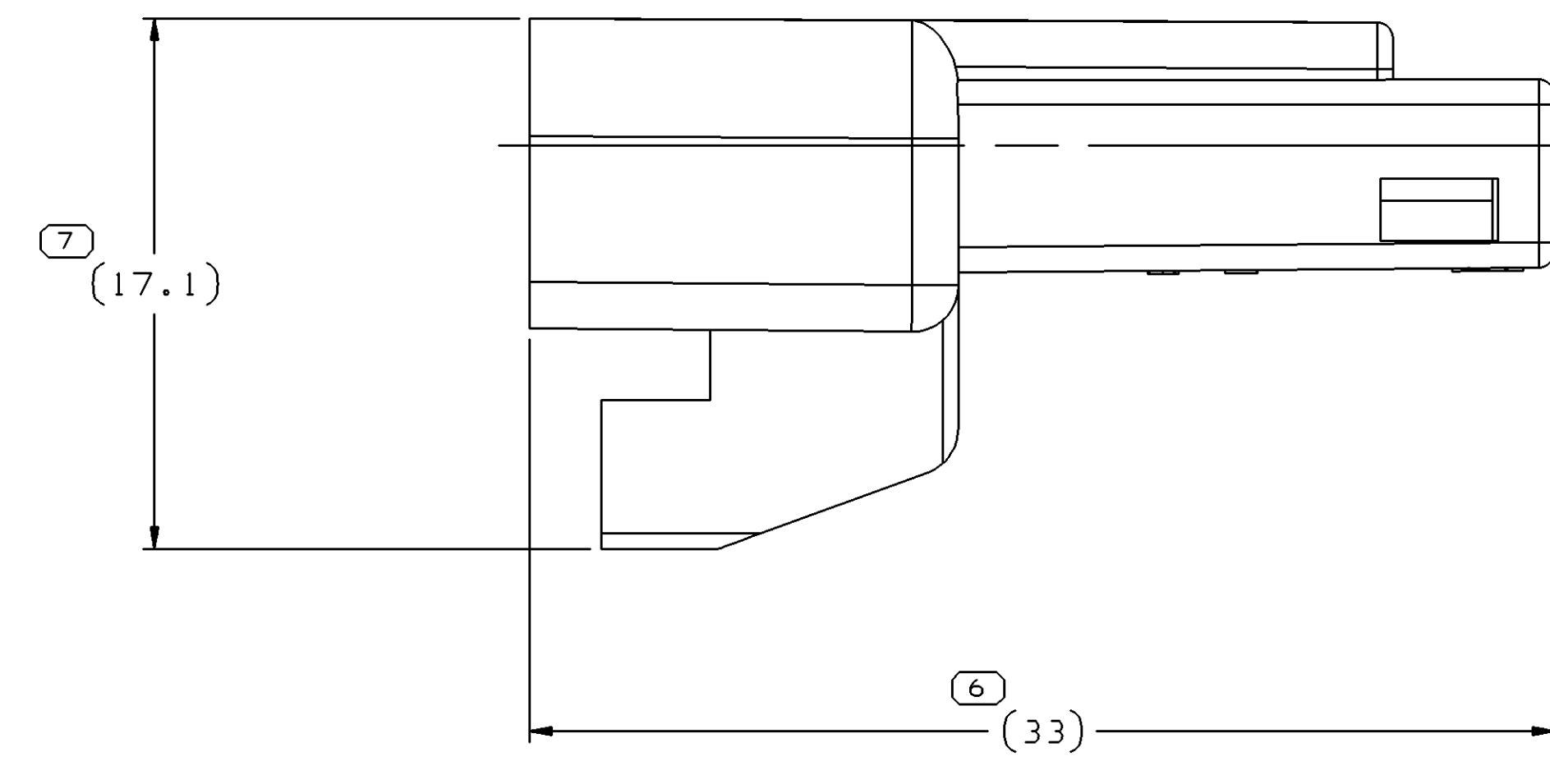
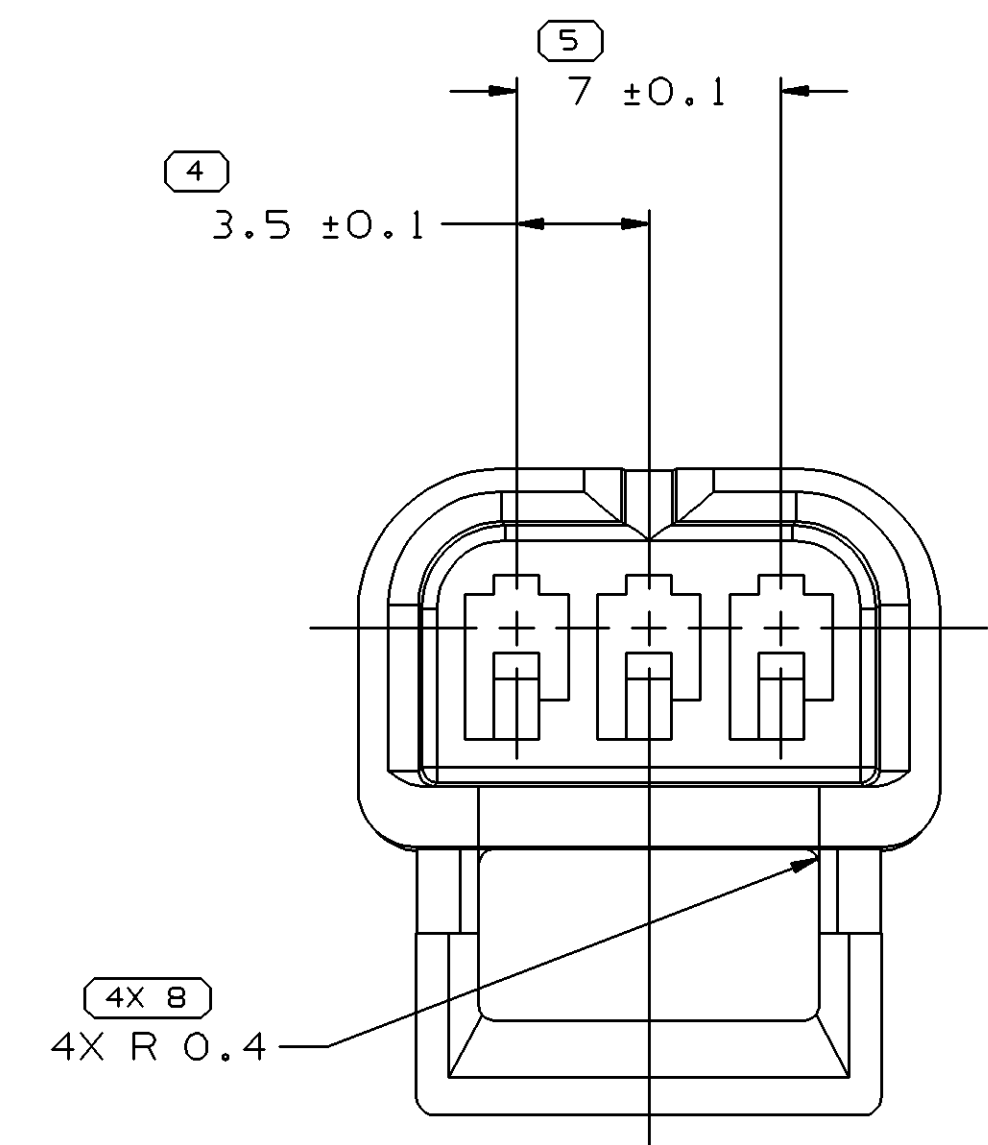
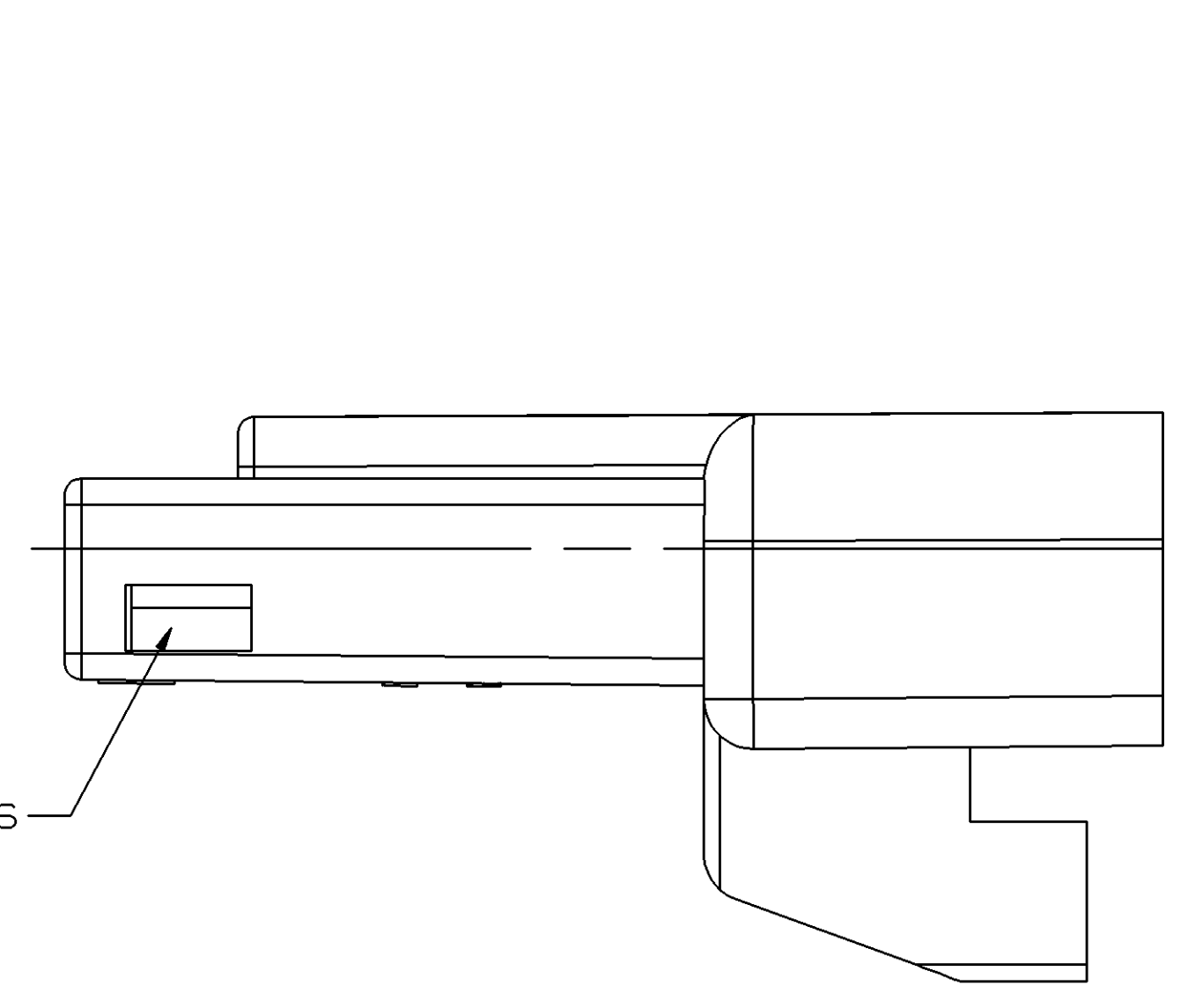
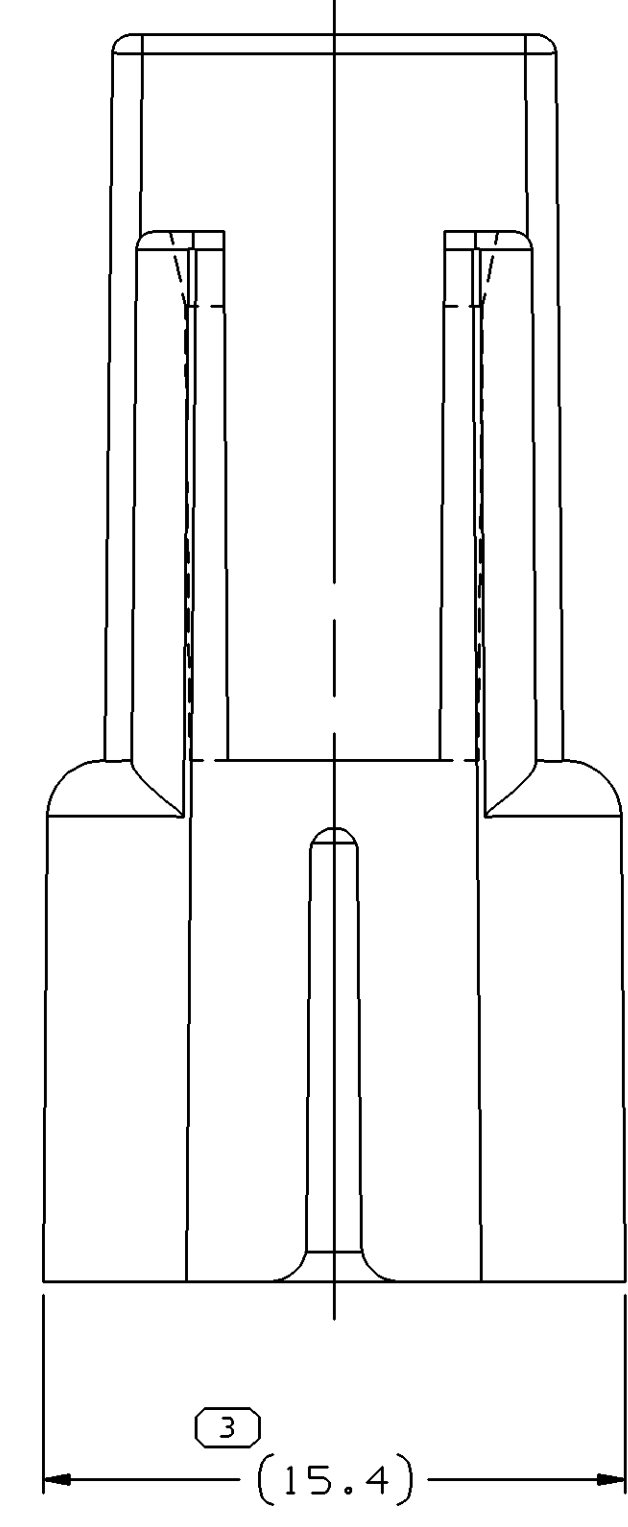
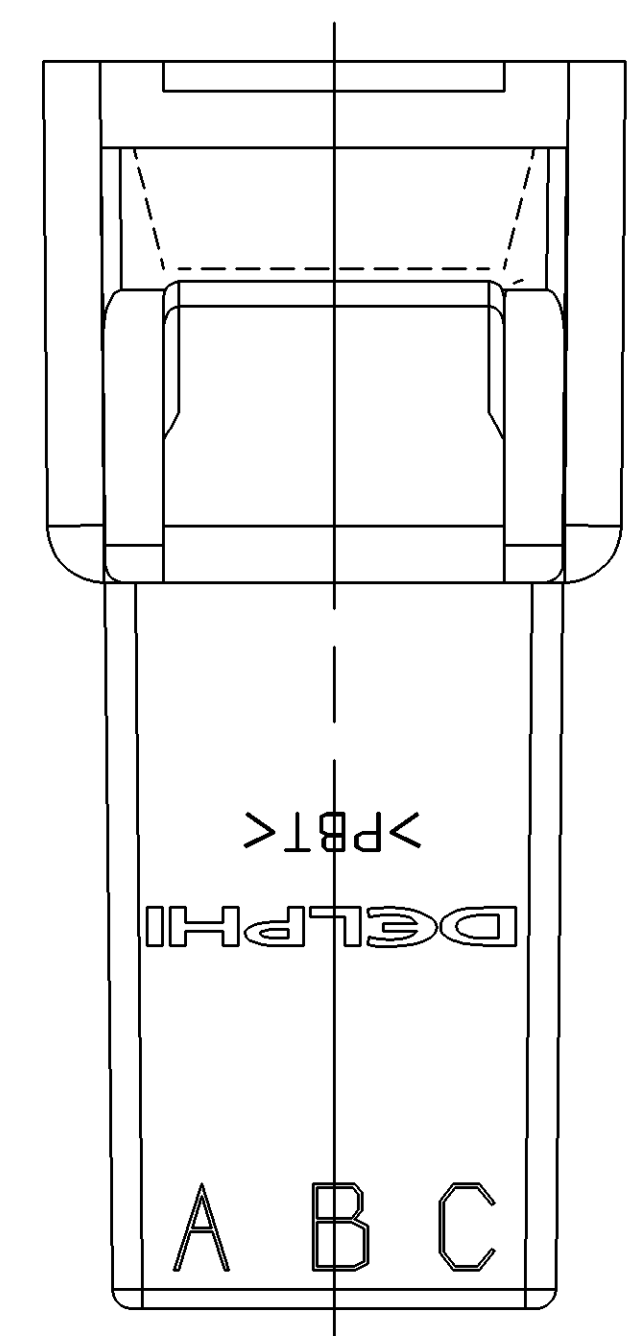


SYMBOL DEFINITION		MISSING SYMBOL	
A DIMENSION WITHOUT AN INSPECTION REPORT SYMBOL DOES NOT REQUIRE INSPECTION. IT MAY BE CONTROLLED ON THE INDIVIDUAL COMPONENT DRAWING.	TOTAL NO OF INSPECTIONS REQUIRED	NO MISSING SYMBOL NUMBER	12
	LAST NO. USED		8

DWO STATUS					REVISION HISTORY			AUTH	DR	APVD	APVD
DATE	STG	REV	N/P	CHG	ZONE						
30JUL02	R	C3	-	-		REDRAWN TO PD, MAT'L SPEC WAS R0100151, ADDED NOTES 13 PLCS1, REVISED LOGO & RECYCLING CODE	226929	RCH	RH	ET	ET
16MR04	R	O4	-	-		ADDED RADIUS TO LOCK 4 PLACES	253102	LMB	LMB	BG	BG
29MR04	R	O4	AA	-		REVISED "PART ACCEPTS" NOTE TO "2.65 WIDE"	253521	ADK	ADK	BG	BG

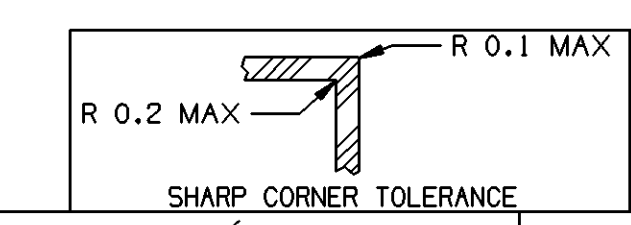
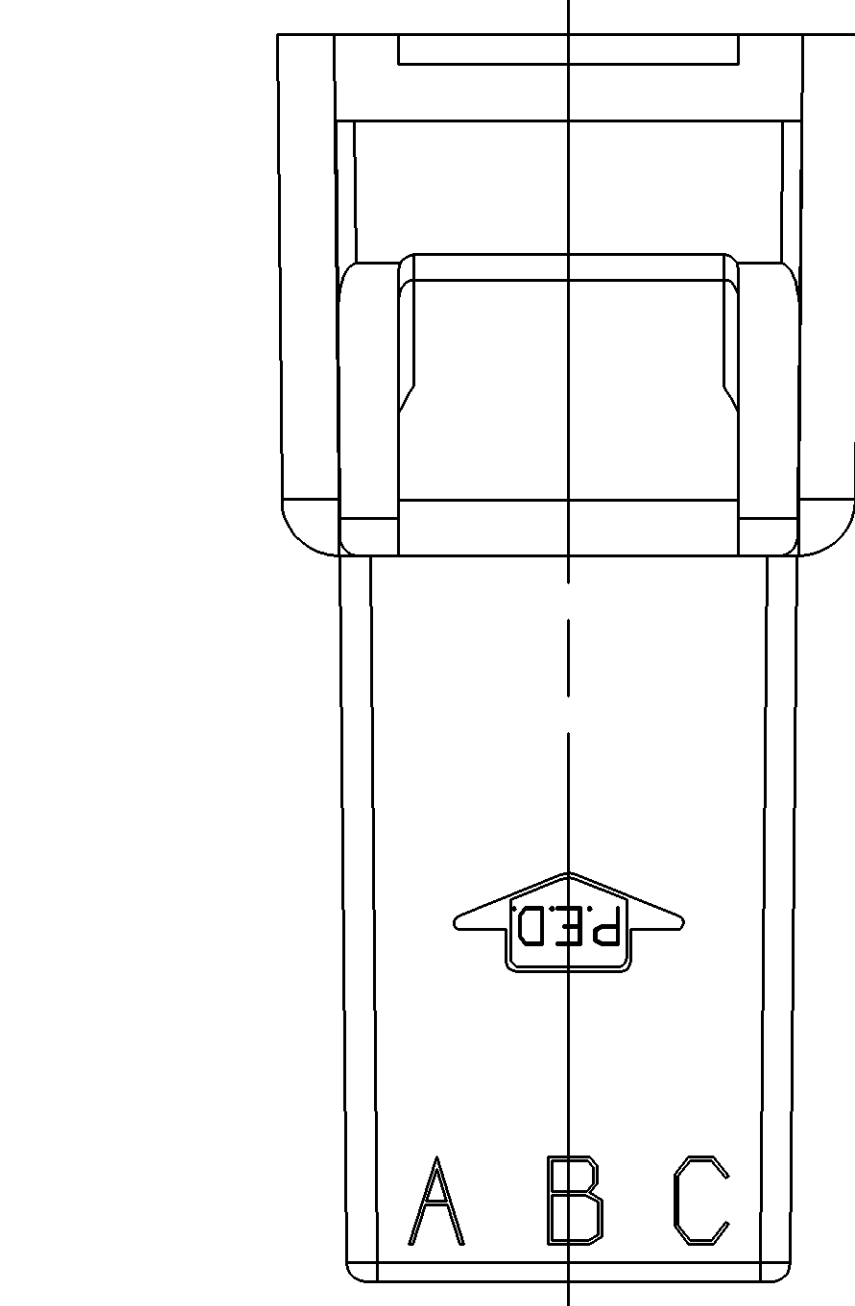
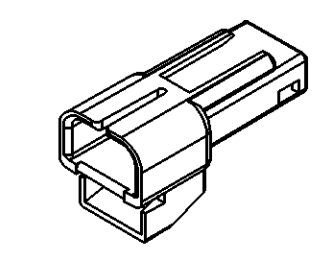


OPTIONAL CONSTRUCTION



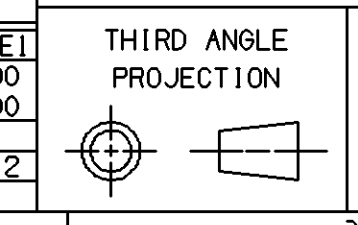
NOTES

- UNLESS OTHERWISE SPECIFIED AND/OR INDICATED: DIMENSIONS ARE TO FACE OF VIEW SHOWN AND AUTOMATICALLY ROUNDED BY COMPUTER FOR INSPECTION (SEE MATH MODEL FOR PRECISE DIMENSIONS). FOR ALL OTHER DIMENSIONS NOT SHOWN BUT REQUIRED FOR TOOL BUILD, SEE MATH MODEL FOR PRECISE TOOL PATH DATA.
- MATERIAL RECYCLING CODE >PBT< PER SAE J1344. (1)(X(0.1) RAISED CHARACTERS AS SHOWN TO BE LOCATED ON ANY EXTERIOR SURFACE. OPTIONAL CONSTRUCTION TO BE NO MATERIAL RECYCLING CODE.
- MATING COMPONENTS OR EQUIVALENT: CONNECTOR 12064758
- THIS PART ACCEPTS THE FOLLOWING COMPONENTS OR EQUIVALENT: CAVITIES TO ACCEPT 12040993 TERMINAL OR EQUIVALENT. MAX INSULATION CRIMP MUST BE LESS THAN 3 HIGH AND 2.65 WIDE. SECONDARY TERMINAL LOCK 12047784
- THIS CONNECTOR WILL PASS THROUGH A 20.5 DIA MIN HOLE.
- (1)(X(0.1) RAISED DELPHI CORPORATE BRAND TO BE LOCATED ON ANY EXTERIOR SURFACE, PREFERABLY VISIBLE AT FINAL ASSEMBLY. OPTIONAL CONSTRUCTION TO BE "PED" OR NO LOGO.



FROM	TO	TOLERANCE
0	20	±0.1
20	30	±0.15
30	50	±0.2
50	100	±0.3
100	150	±0.4
150	200	±0.5
200	250	±0.6
250	300	±0.8
300	400	±1
400		±1.2

5 PROCESS SENSITIVE DIMENSION DIMENSIONS ENCLOSED IN () INDICATE RETRIEVE DIMENSIONS AND NO TOLERANCE LIMITS ARE ESTABLISHED



DO NOT SCALE USE MATH DATA

DELPHI
DELPHI PACKARD ELECTRIC SYSTEMS
WARREN, OH

DR	DATE
APVD1 ANDY T. LE	240CB5
APVD2 F. HESTON	310CB5
APVD3 S.A. NORLING	05NOB5
APVD4	
APVD5	

MATERIAL: M4695002 PBT BLK

DRAWING NAME: CONN 3 M M/P 150 BLK

DRAWING NUMBER: 12064759

SIZE: A0 SCALE: 5:1 FRAME NO: 1 OF 1 SHEET NO: 1 OF 1 REV: R 04 AA

DWO TYPE		PART DRAWING	
STYLE	2,002	DISTR CODE	D
VOLUME (OP)	6900		

UNLESS OTHERWISE SPECIFIED THIS DOCUMENT IS IN ACCORDANCE WITH ASME Y14.5M-1994 AS AMENDED BY THE 2003 DIMENSIONING AND TOLERANCING ADDENDUM - 1997. ALL GEOMETRIC TOLERANCES AND RELATED DATUM APPLIES TO ALL DIMENSIONS UNLESS OTHERWISE SPECIFIED. MDCI DOES NOT APPLY WHEN RELATIONSHIP BETWEEN FEATURES IS ESTABLISHED BY ORIENTATION OR LOCATION TOLERANCES. SEPARATE POSITION DALLUS MAY BE GAGED SEPARATELY, REGARDLESS OF DATUM REFERENCE. ALL DIMENSIONS ARE IN MILLIMETERS.

X-ON Electronics

Largest Supplier of Electrical and Electronic Components

Click to view similar products for [Automotive Connectors](#) category:

Click to view products by [APTIV](#) manufacturer:

Other Similar products are found below :

[003-018-000](#) [60403001](#) [60993906-B](#) [629515004020001](#) [M902-2131](#) [M902-2161](#) [72.330.1035.1](#) [73.353.4028.0](#) [F119300-B](#) [F166900](#)
[F258300-B](#) [F358300-B](#) [F407400](#) [F444110](#) [F487000](#) [F509500B-B](#) [827153-1](#) [8N1515-32-24P](#) [9-1326729-8](#) [925474-1](#) [928905-1](#) [964562-4](#)
[968782-1](#) [GT17SA-8DS-HU](#) [98891-1012](#) [98947-1016](#) [12004475-L](#) [12010290](#) [12010309-B](#) [12015454](#) [12020219-B](#) [12020308](#) [12041318-B](#)
[12052225-L](#) [12052466](#) [12059125](#) [12064869](#) [12004327-B](#) [12010503-B](#) [12015308](#) [12015384](#) [12015909](#) [1-21030-1](#) [12041254](#) [12041318](#)
[12047946-B](#) [12047957](#) [12047957-L](#) [12059473](#) [12066261](#)