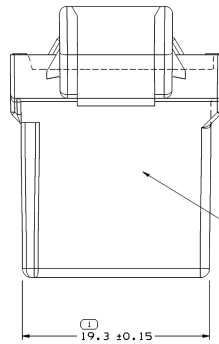
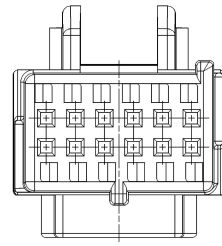


SYMBOL DEFINITION		MISSING NUMBERS	
THE NUMBER INSIDE THE SYMBOL CORRESPONDS TO THE NUMBER ON THE INSPECTION REPORT FOR THIS DRAWING/PART NUMBER	TOTAL NO. OF SYMBOLS ON DRAWING	16	
	LAST USED	28	

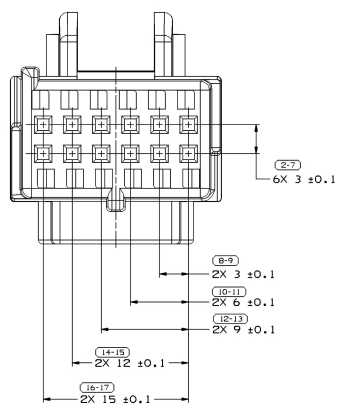
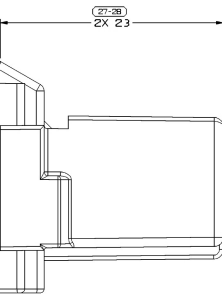
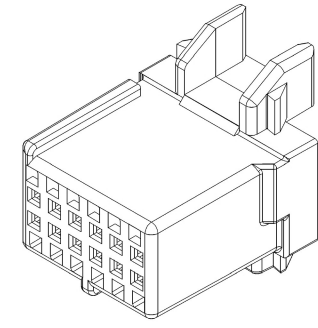
DWG STATUS				REVISION HISTORY		AUT
DATE	STB	REV	N/P	CHG	ZONE	
30AP04	R	01	-	-	ALL PARTS - CLEARED REV COL AND UPDATED PDM ATTRIBUTES	2519
25J406	R	02	-	-	UPDATED PDM ATTRIBUTES	2764
03AP07	R	03	-	-	ALL PARTS - REVISED NOTE 4	4008
07FE08	R	04	-	-	ALL PARTS - ADDED APPLICATION DATA NOTE, APPEARANCE ITEM & RECYCLING CODE LABEL, REMOVED MAT'G PARTS NOTE AND REVISED MAT'L CALLOUT TO GENERIC CALLOUT	4075



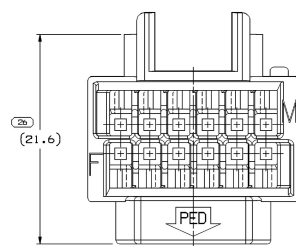
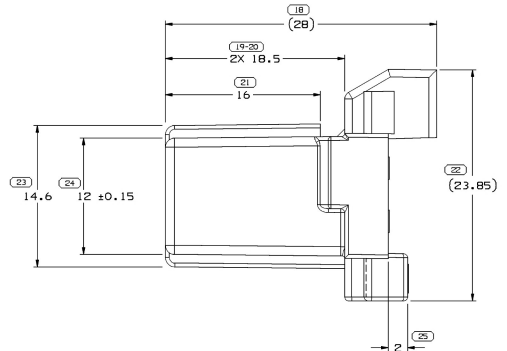
MATERIAL RECYCLING CODE OPTIONAL



TYPE 102  
SAME AS TYPE 101  
EXCEPT AS SHOWN

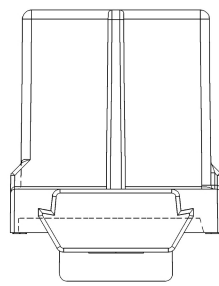


TYPE 101



NOTES

- UNLESS OTHERWISE SPECIFIED AND/OR INDICATED:  
DIMENSIONS ARE TO FACE OF VIEW SHOWN AND AUTOMATICALLY ROUNDED BY COMPUTER FOR INSPECTION (SEE MATH MODEL FOR PRECISE DIMENSIONS). FOR ALL OTHER DIMENSIONS NOT SHOWN BUT REQUIRED FOR TOOL BUILD, SEE MATH MODEL FOR PRECISE TOOL PATH DATA.
- THIS PRODUCT IS NOT CATEGORIZED AS AN APPEARANCE ITEM. MINOR IMPERFECTIONS INCLUDING, BUT NOT LIMITED TO, FLOW MARKS, COLOR BLEMISHES, GATE VESTIGES, AND SOFT FLASH THAT DO NOT AFFECT THE FIT, FORM, OR FUNCTION OF THE PART ARE PERMISSIBLE PER NAP 4.10-18.
- (2.3)X(0.1) DELPHI CORPORATE BRAND TO BE LOCATED ON ANY EXTERIOR SURFACE, PREFERABLY VISIBLE AT FINAL ASSEMBLY. OPTIONAL CONSTRUCTION TO BE "PED" OR NO LOGO.
- FOR APPLICATION DATA SEE THE INDIVIDUAL APPLICATION DRAWINGS.



15336594	B4	-	102	POLYESTER COMPOUND GRAY	3.572
12064799	C4	-	101	POLYESTER COMPOUND BLACK	3.573
PART NO	REV	N/P	STATUS	MATERIAL SPECIFICATION AND COLOR	VOLUME (CM <sup>3</sup> )

UNITS	FROM	TO	CONVERSION FACTOR		
INCHES	> 0	> 30	> 100	> 200	> 300
MILLIMETERS	> 20	> 30	> 100	> 150	> 200
MILLIMETERS	> 20	> 30	> 100	> 150	> 200
MILLIMETERS	> 20	> 30	> 100	> 150	> 200

DWG TYPE: PART DRAWING

TITLE: SEE CHART

UNLESS OTHERWISE SPECIFIED, THIS DRAWING IS TO BE ASSUMED TO BE MADE IN ACCORDANCE WITH THE DELPHI DIMENSIONING AND TOLERANCE PRACTICES. DIMENSIONS ARE TO UNLESS OTHERWISE SPECIFIED.

ALL DIMENSIONS ARE IN MILLIMETERS

THIRD ANGLE PROJECTION

DO NOT SCALE

USE MATH DATA

**DELPHI**  
DELPHI PACKING ELECTRICAL/ELECTRONIC WIRE, OR

OR: F00, BRESNDIZ  
F00, KOPCA  
B, EDWARDS

SUBSTANCES OF CONCERN AND RESTRICTIONS: SEE CHART

DRAWING NUMBER: TAXI CONN F MIC/P

15336594

SIZE: A0 SCALE: 5:1 PART NO: 1 OF 1 SHEET NO: 1 OF 1

## X-ON Electronics

Largest Supplier of Electrical and Electronic Components

*Click to view similar products for [Automotive Connectors](#) category:*

*Click to view products by [APTIV](#) manufacturer:*

Other Similar products are found below :

[003-018-000](#) [60403001](#) [60993906-B](#) [629515004020001](#) [M902-2131](#) [M902-2161](#) [72.330.1035.1](#) [73.353.4028.0](#) [F119300-B](#) [F166900](#)  
[F258300-B](#) [F358300-B](#) [F407400](#) [F444110](#) [F487000](#) [F509500B-B](#) [827153-1](#) [8N1515-32-24P](#) [9-1326729-8](#) [925474-1](#) [928905-1](#) [964562-4](#)  
[968782-1](#) [GT17SA-8DS-HU](#) [98891-1012](#) [98947-1016](#) [12004475-L](#) [12010290](#) [12010309-B](#) [12015454](#) [12020219-B](#) [12020308](#) [12041318-B](#)  
[12052225-L](#) [12052466](#) [12059125](#) [12064869](#) [12004327-B](#) [12010503-B](#) [12015308](#) [12015384](#) [12015909](#) [1-21030-1](#) [12041254](#) [12041318](#)  
[12047946-B](#) [12047957](#) [12047957-L](#) [12059473](#) [12066261](#)