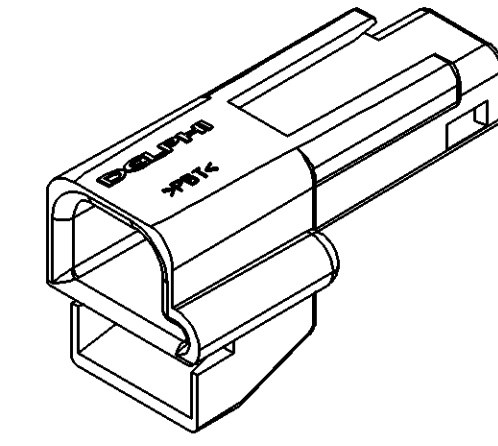
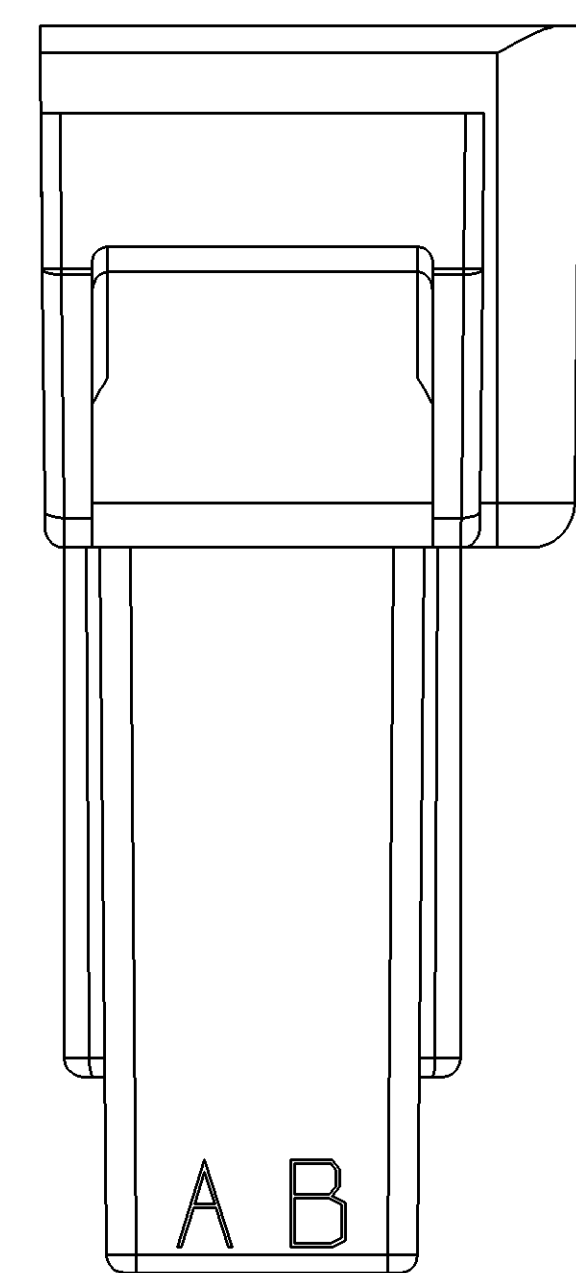
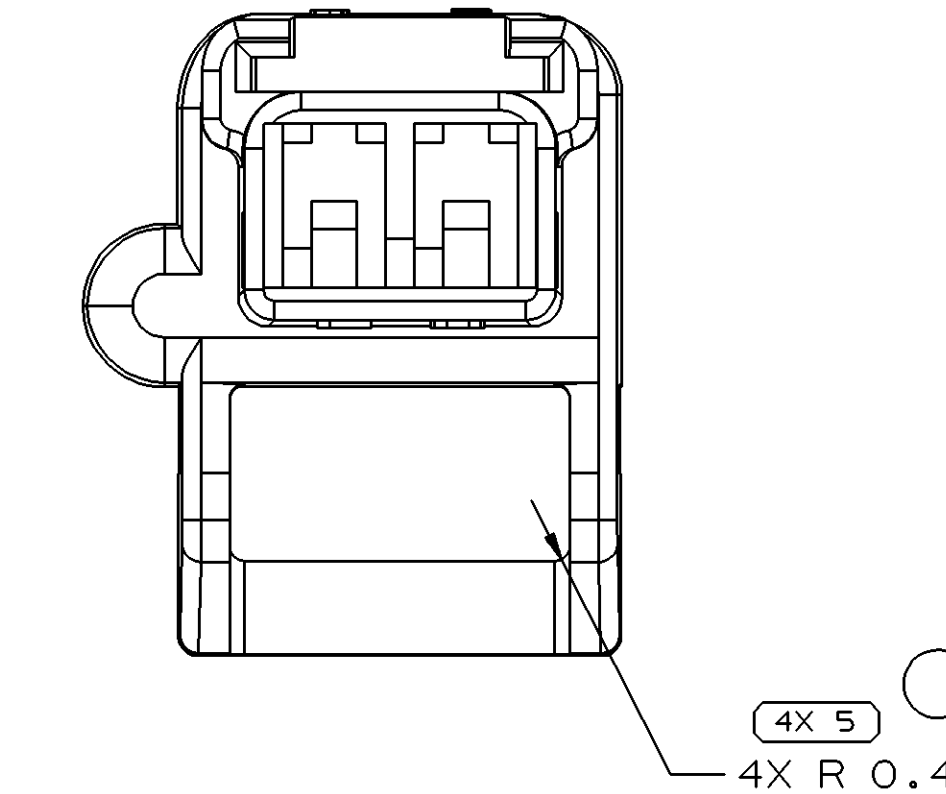
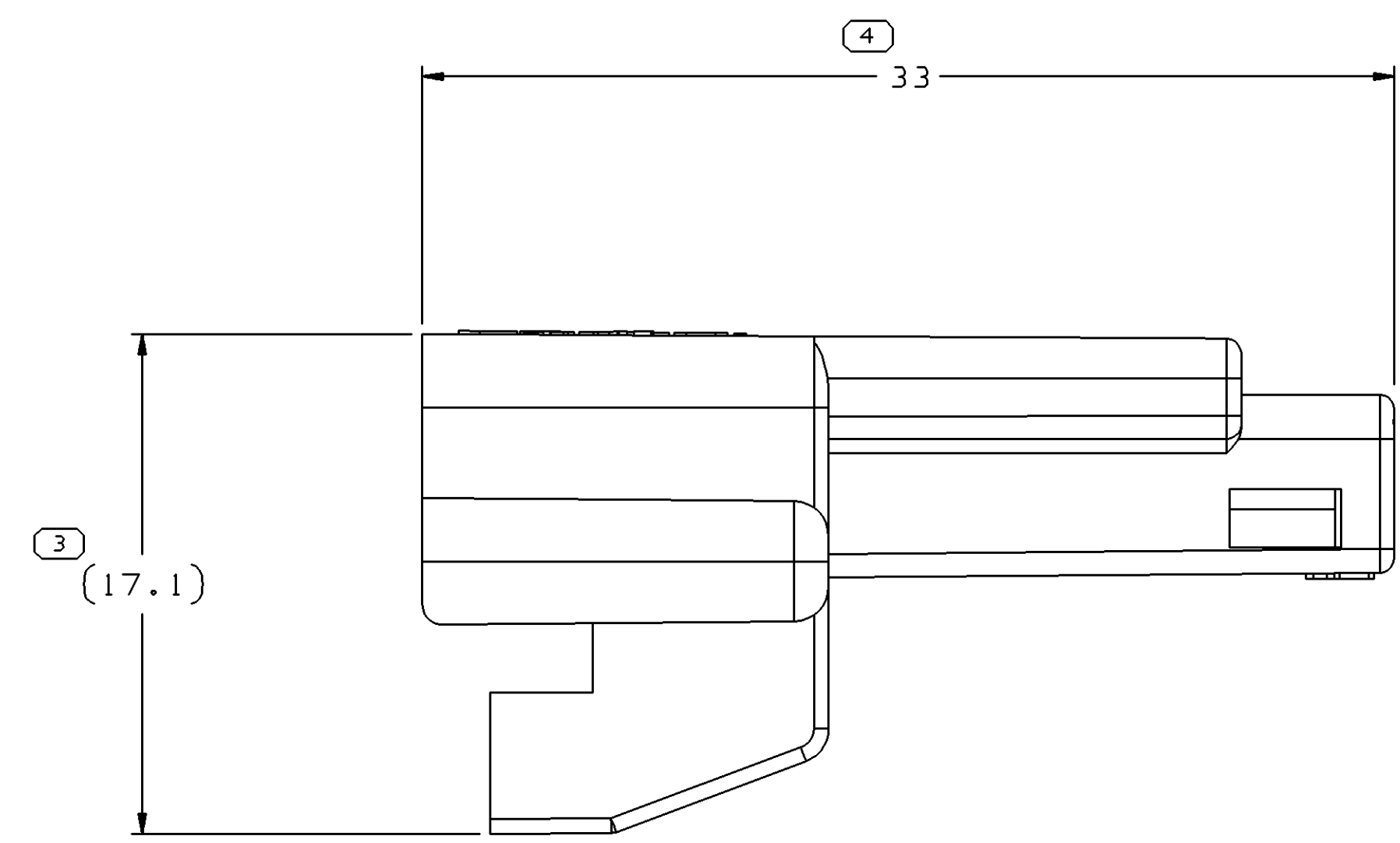
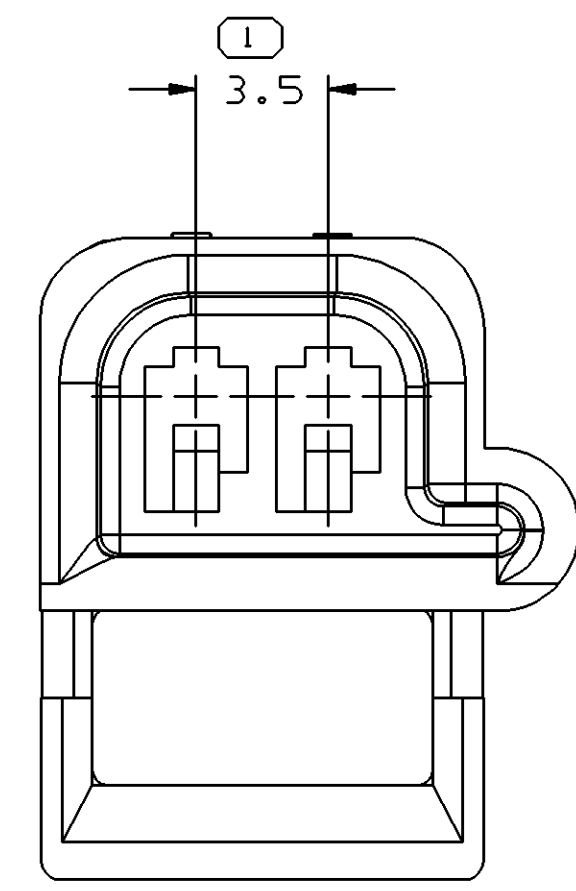
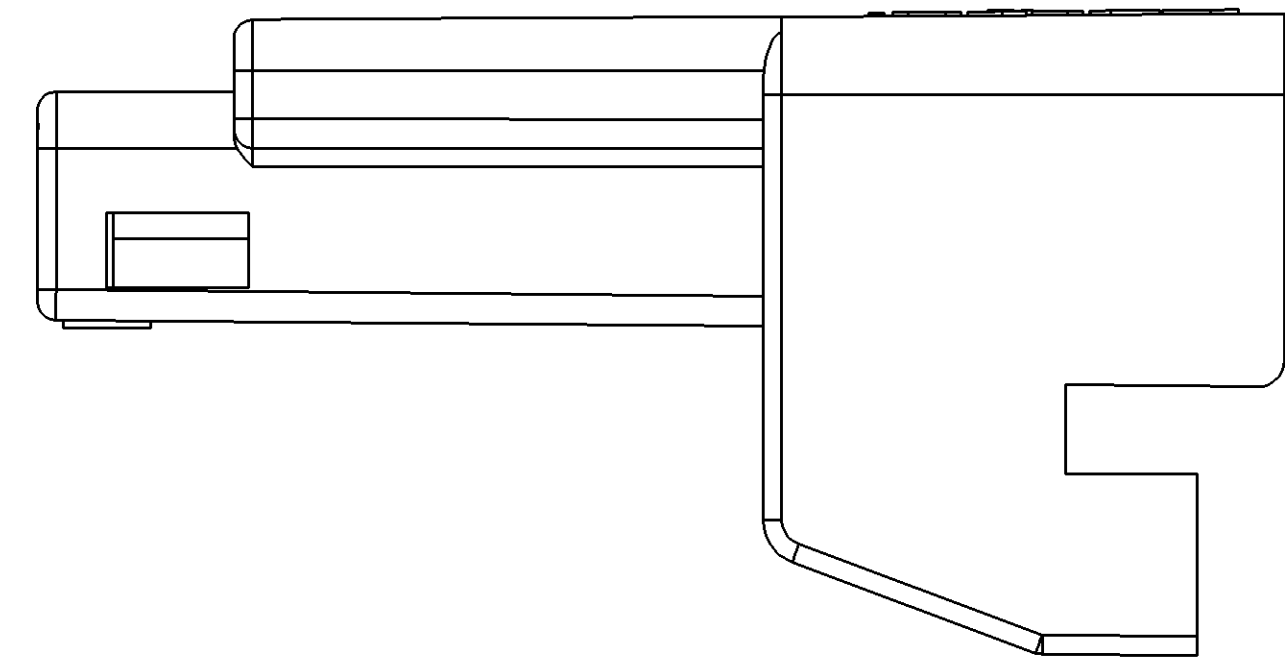
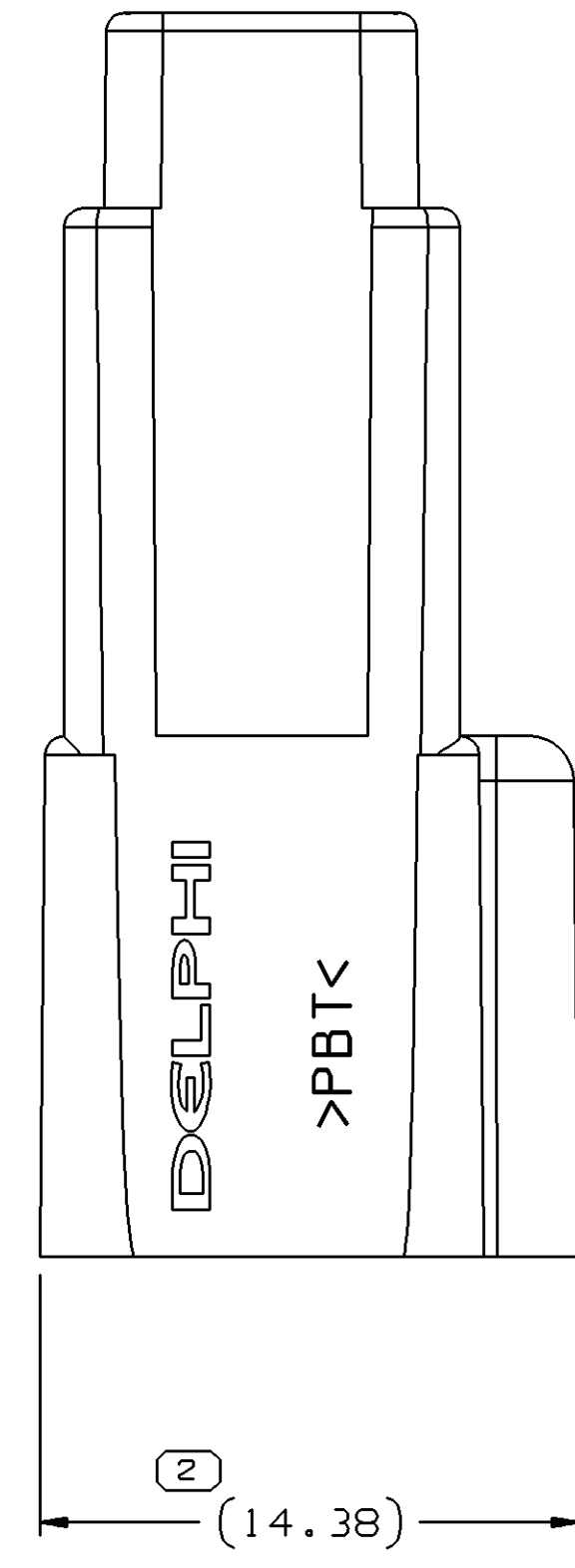


| SYMBOL DEFINITION                                                                                                                      |  | TOTAL NO OF INSPECTIONS REQUIRED |  | MISSING SYMBOLS          |  |
|----------------------------------------------------------------------------------------------------------------------------------------|--|----------------------------------|--|--------------------------|--|
| A DIMENSION WITHOUT AN INSPECTION REPORT SYMBOL DOES NOT REQUIRE INSPECTION. IT MAY BE CONTROLLED ON THE INDIVIDUAL COMPONENT DRAWING. |  | 8                                |  | NO MISSING SYMBOL NUMBER |  |
|                                                                                                                                        |  | 5                                |  | LAST NO. USED            |  |

| DWO STATUS |     |     |     |     | REVISION HISTORY |                                                   |  | AUTH | DR     | APVD | APVD |     |
|------------|-----|-----|-----|-----|------------------|---------------------------------------------------|--|------|--------|------|------|-----|
| DATE       | STG | REV | N/P | CHO | ZONE             |                                                   |  |      |        |      |      |     |
| 02AP03     | R   | B2  | -   | -   |                  | REDRAWN TO PD. 33 WAS 1331 AND REVISED MAT'L SPEC |  |      | 238787 | RH   | RH   | ET  |
| 07JA05     | R   | 03  | -   | -   |                  | REVISED RADIUS ON INSIDE OF LOCK FEATURE          |  |      | 252625 | JFB  | JVM  | BDG |



VIEW SCALE DOES NOT REFLECT ACTUAL PART SIZE

NOTES

- UNLESS OTHERWISE SPECIFIED AND/OR INDICATED: DIMENSIONS ARE TO FACE OF VIEW SHOWN AND AUTOMATICALLY ROUNDED BY COMPUTER FOR INSPECTION (SEE MATH MODEL FOR PRECISE DIMENSIONS). FOR ALL OTHER DIMENSIONS NOT SHOWN BUT REQUIRED FOR TOOL BUILD, SEE MATH MODEL FOR PRECISE TOOL PATH DATA.
- MATERIAL RECYCLING CODE >PBT< PER SAE J1344. (1)X(0,1) RAISED CHARACTERS AS SHOWN TO BE LOCATED ON ANY EXTERIOR SURFACE. OPTIONAL CONSTRUCTION TO BE NO MATERIAL RECYCLING CODE.
- MATING COMPONENTS OR EQUIVALENT: CONNECTOR 12064867
- THIS PART ACCEPTS THE FOLLOWING COMPONENTS OR EQUIVALENT: TERMINAL 12040993  
MAX INSULATION CRIMP MUST BE LESS THAN 3 HIGH AND 2.6 WIDE.  
SECONDARY TERMINAL LOCK 12047665
- (1)X(0,1) RAISED DELPHI CORPORATE BRAND TO BE LOCATED ON ANY EXTERIOR SURFACE, PREFERABLY VISIBLE AT FINAL ASSEMBLY. OPTIONAL CONSTRUCTION TO BE "PED" OR NO LOGO.
- THIS CONNECTOR WILL PASS THROUGH A 21 DIA. MIN. HOLE.

| DIMENSIONAL RANGE (MM)               | CHART | ET   |
|--------------------------------------|-------|------|
| FROM > 0                             | > 20  | > 30 |
| TO 20                                | 30    | 70   |
|                                      | 70    | 100  |
|                                      | 100   | 150  |
|                                      | 150   | 200  |
|                                      | 200   | 250  |
|                                      | 250   | 300  |
|                                      | 300   | 400  |
| TOLERANCE UNLESS OTHERWISE SPECIFIED |       |      |
| ±0.15                                | ±0.2  | ±0.3 |
| ±0.4                                 | ±0.5  | ±0.6 |
| ±1                                   | ±1.2  | ±1.5 |
| ANGULAR TOLERANCE ±2°                |       |      |

| PART DRAWING                                                                                                                                                                                                                                                                                             |              |
|----------------------------------------------------------------------------------------------------------------------------------------------------------------------------------------------------------------------------------------------------------------------------------------------------------|--------------|
| STYLE                                                                                                                                                                                                                                                                                                    |              |
| VOLUME (CM <sup>3</sup> )                                                                                                                                                                                                                                                                                | 1.770        |
| DISTR CODE                                                                                                                                                                                                                                                                                               | D            |
| UNLESS OTHERWISE SPECIFIED                                                                                                                                                                                                                                                                               |              |
| THIS DOCUMENT IS IN ACCORDANCE WITH ASME Y14.5M-1994 AS AMENDED BY THE 2003 DIMENSIONING AND TOLERANCING ADDENDUM - 1997. ALL GEOMETRIC TOLERANCES AND RELATED DATUM APPLY TO ALL FEATURES UNLESS OTHERWISE SPECIFIED. DIMENSIONS ARE TO FACE UNLESS OTHERWISE SPECIFIED. DIMENSIONS ARE IN MILLIMETERS. |              |
| THIRD ANGLE PROJECTION                                                                                                                                                                                                                                                                                   | DO NOT SCALE |
| USE MATH DATA                                                                                                                                                                                                                                                                                            | UNSPRINGS    |

**DELPHI**  
DELPHI PACKARD ELECTRIC SYSTEMS  
WARREN, OH

| DR          | DATE    |
|-------------|---------|
| E. MIZER    | 27NOB05 |
| F. HESTON   | 16JAB06 |
| W. CROSS    | 16JAB06 |
| R. PETROSKY | 20JAB06 |

UNLESS OTHERWISE SPECIFIED:  
MATERIAL: M4695001 PBT NAT

DRAWING NAME: CONN 2 M M/P 150 NAT

DRAWING NUMBER: 12064868

SIZE: A0 SCALE: 5:1 FRAME NO: 1 OF 1 SHEET NO: 1 OF 1

## X-ON Electronics

Largest Supplier of Electrical and Electronic Components

*Click to view similar products for [Automotive Connectors](#) category:*

*Click to view products by [APTIV](#) manufacturer:*

Other Similar products are found below :

[003-018-000](#) [60403001](#) [60993906-B](#) [629515004020001](#) [M902-2131](#) [M902-2161](#) [72.330.1035.1](#) [73.353.4028.0](#) [F119300-B](#) [F166900](#)  
[F258300-B](#) [F358300-B](#) [F407400](#) [F444110](#) [F487000](#) [F509500B-B](#) [827153-1](#) [8N1515-32-24P](#) [9-1326729-8](#) [925474-1](#) [928905-1](#) [964562-4](#)  
[968782-1](#) [GT17SA-8DS-HU](#) [98891-1012](#) [98947-1016](#) [12004475-L](#) [12010290](#) [12010309-B](#) [12015454](#) [12020219-B](#) [12020308](#) [12041318-B](#)  
[12052225-L](#) [12052466](#) [12059125](#) [12064869](#) [12004327-B](#) [12010503-B](#) [12015308](#) [12015384](#) [12015909](#) [1-21030-1](#) [12041254](#) [12041318](#)  
[12047946-B](#) [12047957](#) [12047957-L](#) [12059473](#) [12066261](#)