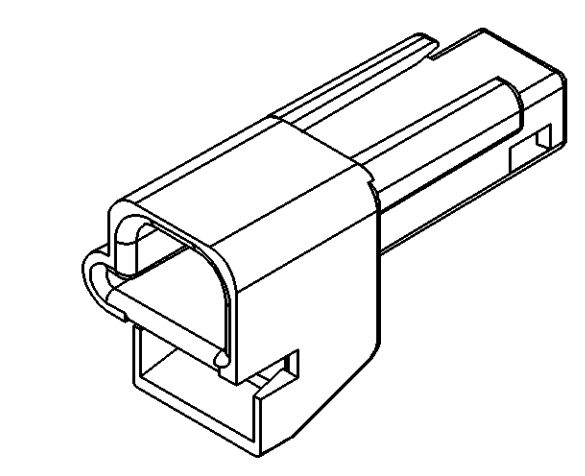
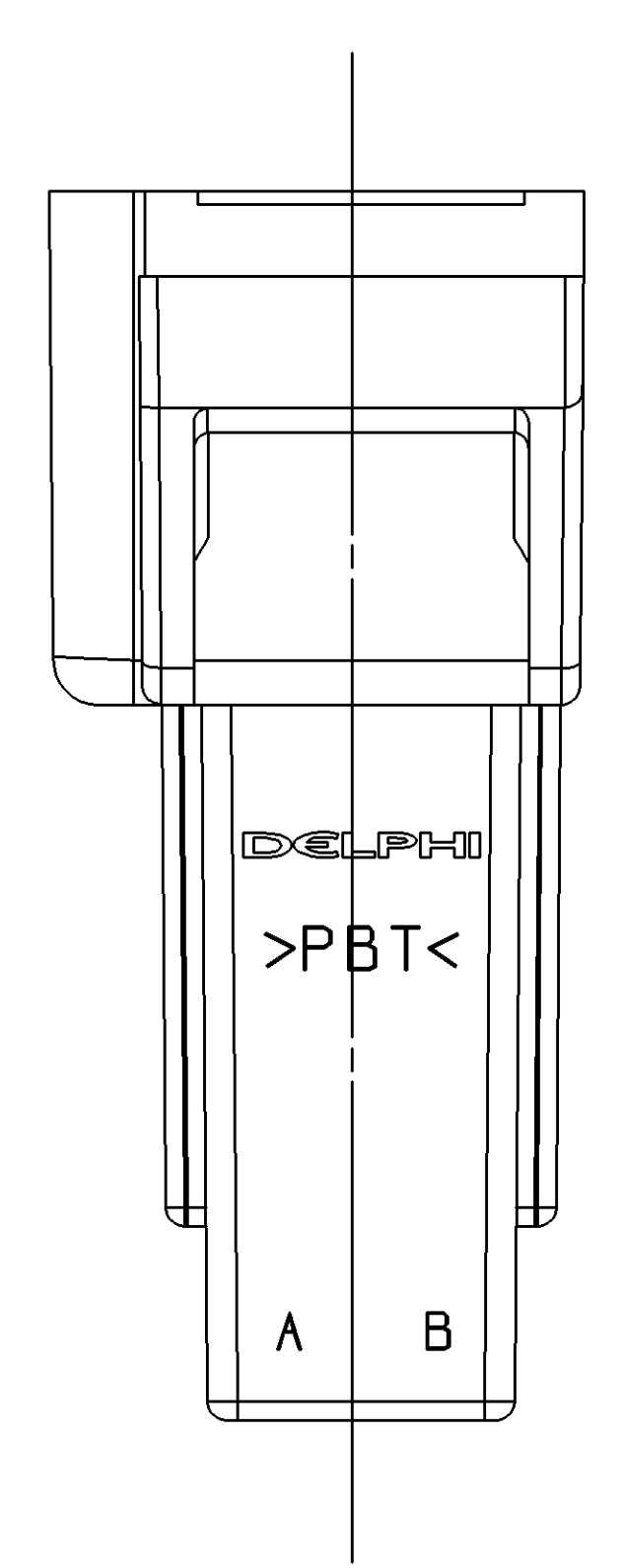
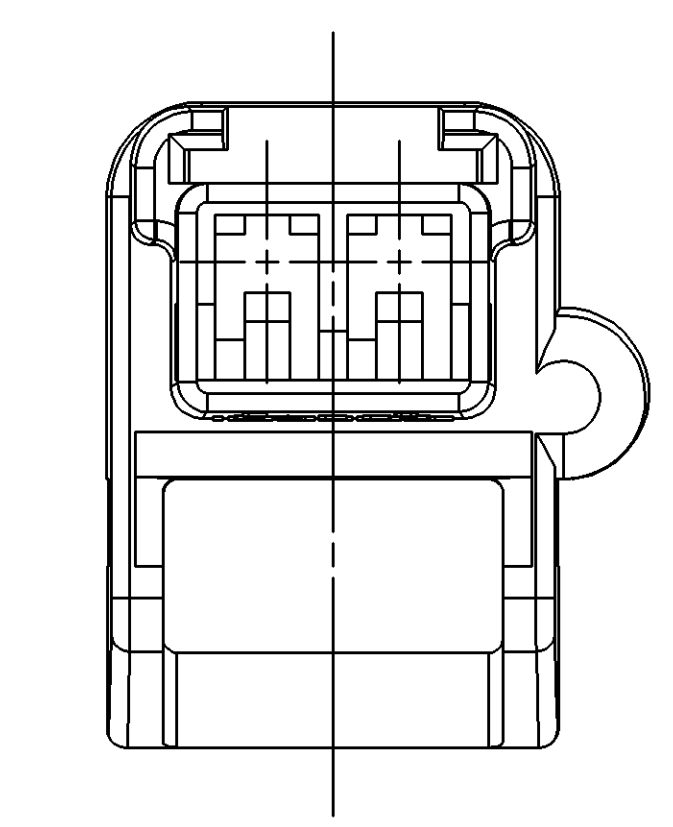
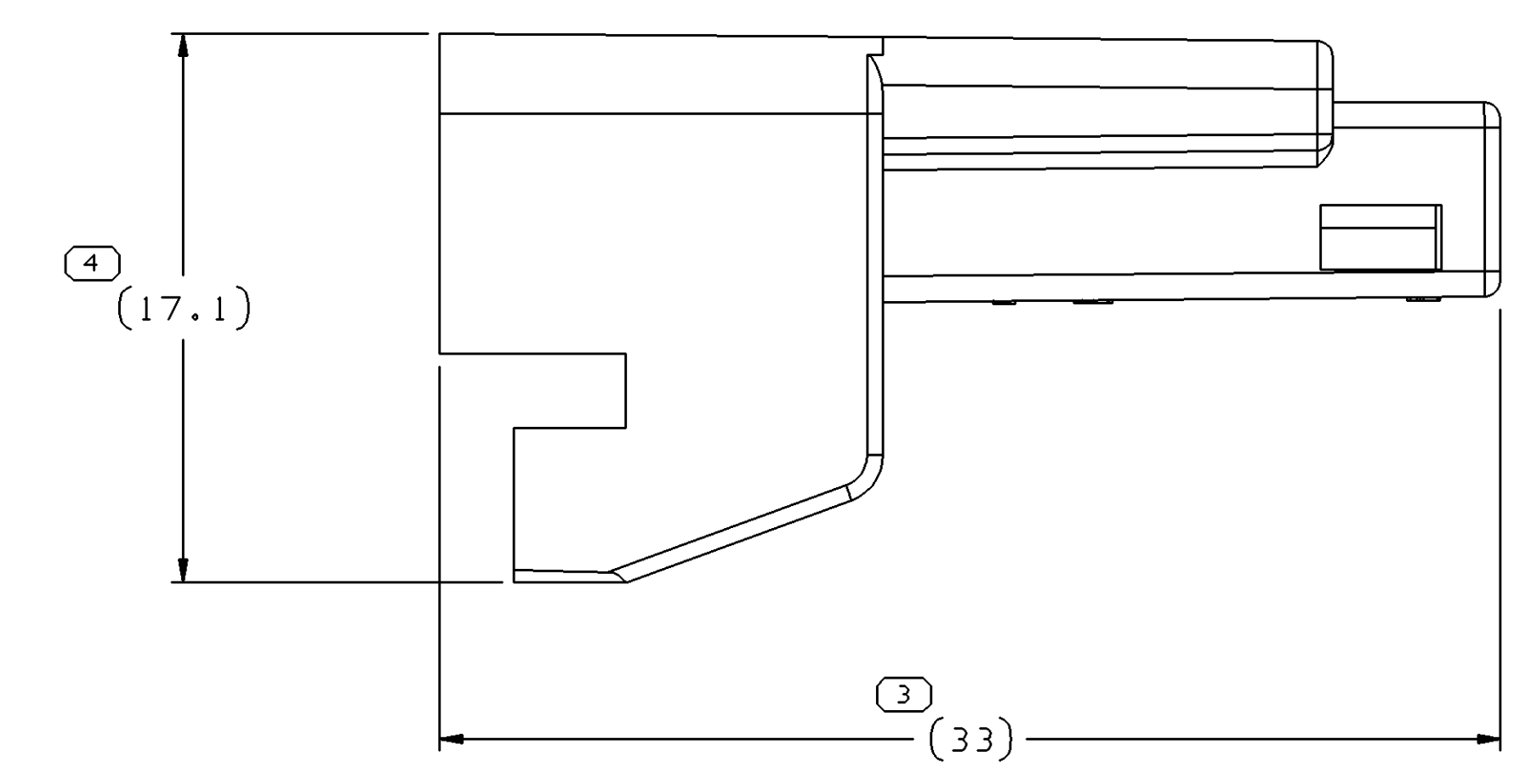
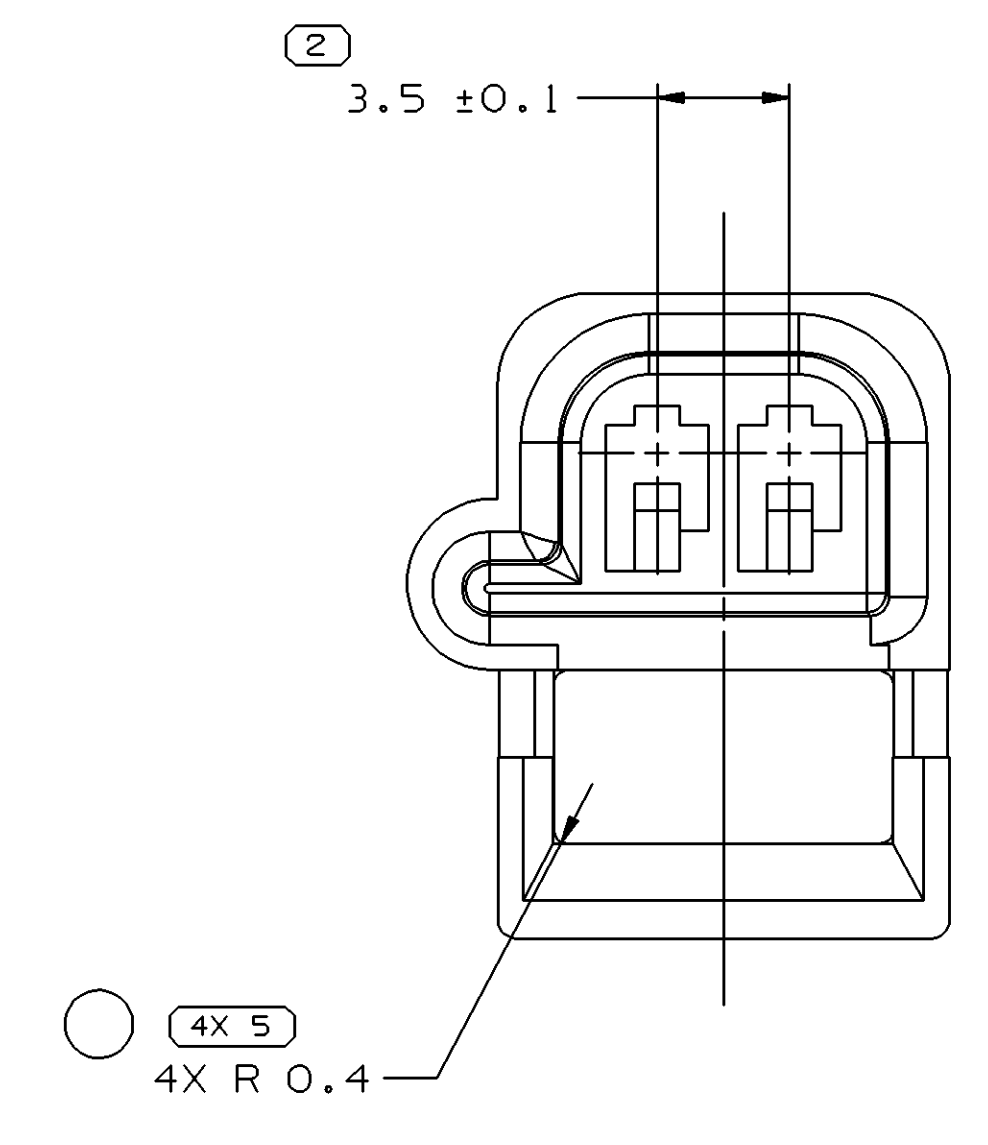
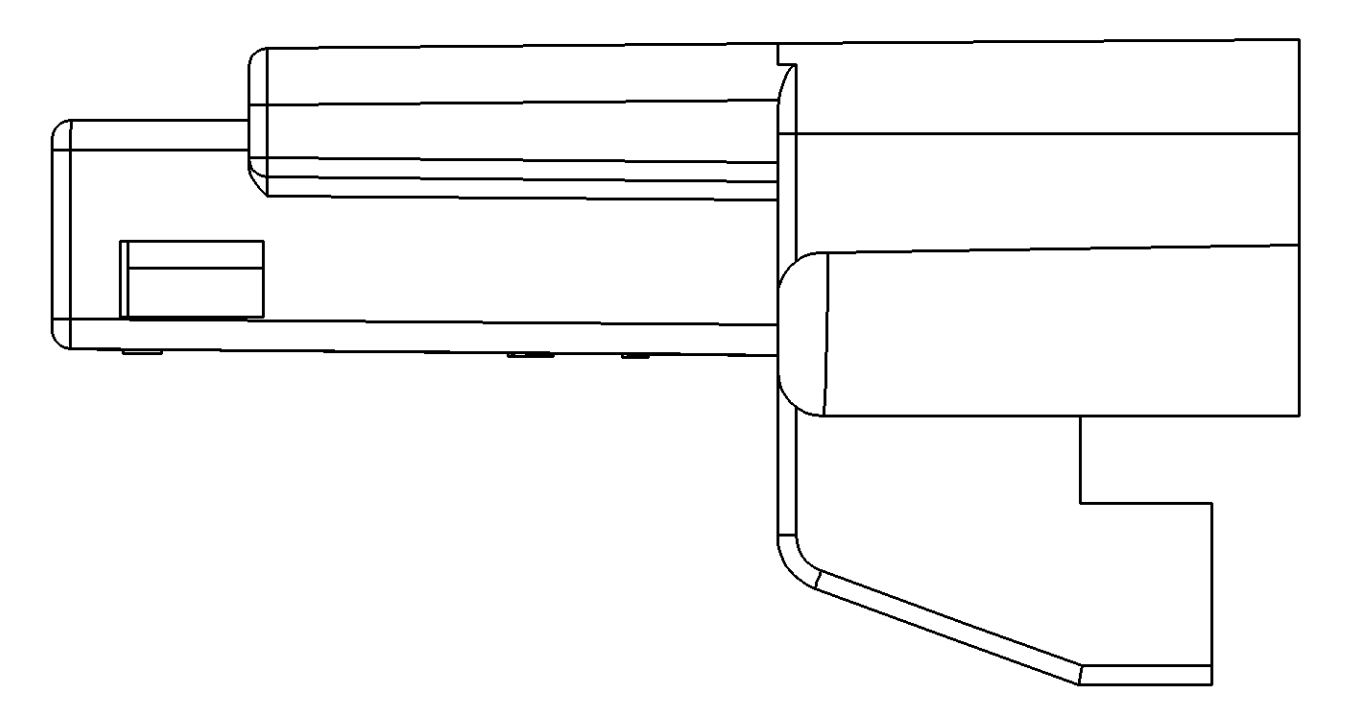
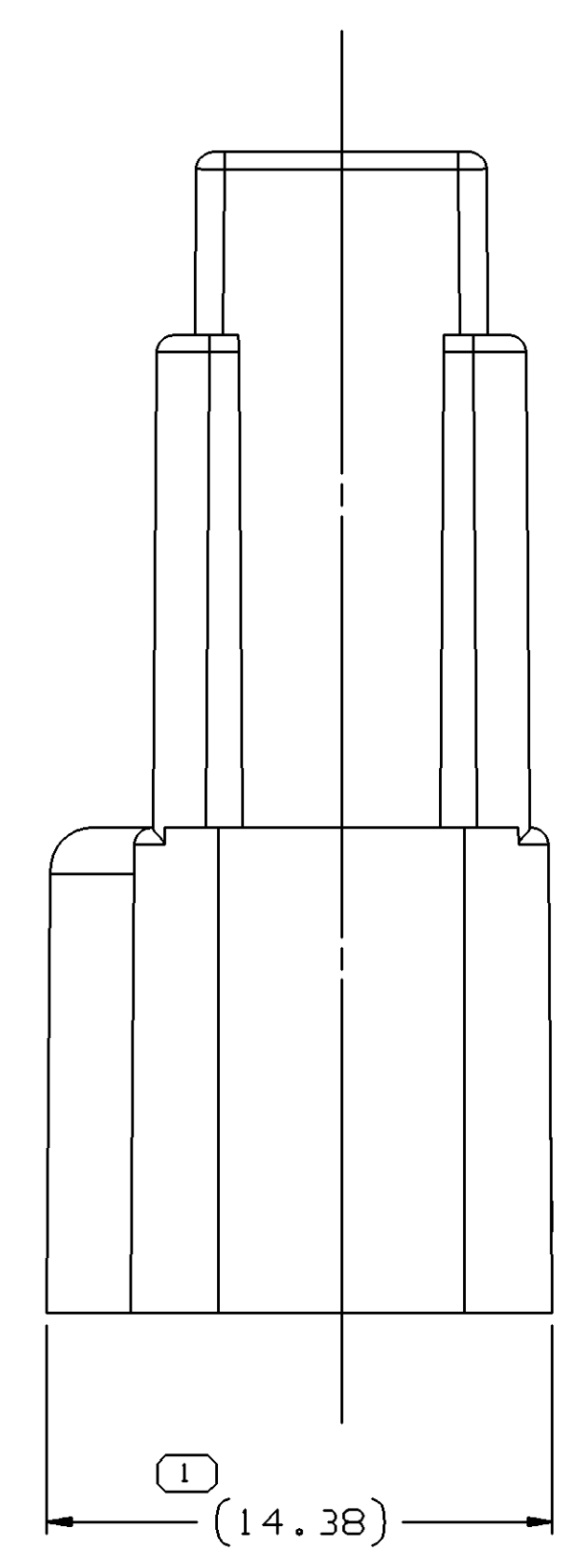


SYMBOL DEFINITION		MISSING SYMBOLS	
A DIMENSION WITHOUT AN INSPECTION REPORT SYMBOL DOES NOT REQUIRE INSPECTION. IT MAY BE CONTROLLED ON THE INDIVIDUAL COMPONENT DRAWING.	TOTAL NO OF INSPECTIONS REQUIRED	NO MISSING SYMBOL NUMBER	
	8		
	LAST NO. USED	5	

DWO STATUS				REVISION HISTORY				AUTH	DR	APVD	APVD
DATE	STG	REV	W/P	CHG	ZONE						
21MY03	R	B3	-	-		REDRAWN TO PD, ADDED DELPHI LOGO & MAT'L RECYCLING CODE NOTES AND REVISED MAT'L SPEC		239913	AFM	JGR	AM
07JAO5	R	O3	-	-		REVISED RADIUS ON INSIDE OF LOCK FEATURE		252625	JPB	JVM	BDG



VIEW SCALE DOES NOT REFLECT ACTUAL PART SIZE

NOTES

- UNLESS OTHERWISE SPECIFIED AND/OR INDICATED: DIMENSIONS ARE TO FACE OF VIEW SHOWN AND AUTOMATICALLY ROUNDED BY COMPUTER FOR INSPECTION (SEE MATH MODEL FOR PRECISE DIMENSIONS). FOR ALL OTHER DIMENSIONS NOT SHOWN BUT REQUIRED FOR TOOL BUILD, SEE MATH MODEL FOR PRECISE TOOL PATH DATA.
- MATERIAL RECYCLING CODE >PBT< PER SAE J1344. (1.2)X(0.1) RAISED CHARACTERS AS SHOWN TO BE LOCATED ON ANY EXTERIOR SURFACE. OPTIONAL CONSTRUCTION TO BE NO MATERIAL RECYCLING CODE.
- MATING COMPONENTS OR EQUIVALENT: CONNECTOR 12064869
- THIS PART ACCEPTS THE FOLLOWING COMPONENTS OR EQUIVALENT: 12047665 SECONDARY TERMINAL LOCK 12040993 TERMINAL MAX INSULATION CRIMP MUST BE LESS THAN 3 HIGH AND 2.6 WIDE.
- THIS CONNECTOR WILL PASS THROUGH A 21 DIA. MIN. HOLE.
- (0.7)X(0.1) RAISED DELPHI CORPORATE BRAND TO BE LOCATED ON ANY EXTERIOR SURFACE, PREFERABLY VISIBLE AT FINAL ASSEMBLY. OPTIONAL CONSTRUCTION TO BE "PED" OR NO LOGO.

DIMENSIONAL RANGE (MM)		CHART ET	
FROM	TO	FROM	TO
> 0	> 20	> 70	> 100
> 20	> 30	> 100	> 150
> 30	> 40	> 150	> 200
> 40	> 50	> 200	> 250
> 50	> 60	> 250	> 300
> 60	> 70	> 300	> 400

② PROCESS SENSITIVE DIMENSION DIMENSIONS ENCLOSED IN ( ) INDICATE RETRIEVE, DIMENSIONING AND NO TOLERANCE LIMITS ARE ESTABLISHED

UNLESS OTHERWISE SPECIFIED THIS DOCUMENT IS IN ACCORDANCE WITH ASME Y14.5M-1994 AS AMENDED BY THE 2009 & 2014 DIMENSIONING AND TOLERANCING ADDENDUM - 1997. ALL GEOMETRIC TOLERANCES AND RELATED DATUM APPLY UNLESS OTHERWISE SPECIFIED. UNLESS OTHERWISE SPECIFIED, ALL DIMENSIONS ARE IN MILLIMETERS.

THIRD ANGLE PROJECTION

DO NOT SCALE

USE MATH DATA

UNGRAPHS

**DELPHI**

DELPHI PACKARD ELECTRIC SYSTEMS  
WARREN, OH

DR	DATE
ERIC MIZER	27NOB05
F. HESTON	16JAB6
W. CROSS	18JAB6
R. PETROSKY	20JAB6

UNLESS OTHERWISE SPECIFIED THIS DOCUMENT IS IN ACCORDANCE WITH ASME Y14.5M-1994 AS AMENDED BY THE 2009 & 2014 DIMENSIONING AND TOLERANCING ADDENDUM - 1997. ALL GEOMETRIC TOLERANCES AND RELATED DATUM APPLY UNLESS OTHERWISE SPECIFIED. UNLESS OTHERWISE SPECIFIED, ALL DIMENSIONS ARE IN MILLIMETERS.

MATERIAL: M4695008 PBT BLU

DRAWING NAME: CONN 2 M M/P 150 BLU

DRAWING NUMBER: 12064870

SIZE: A0 SCALE: 5:1 FRAME NO: 1 SHEET NO: 1 OF 1 STG: 1 REV: 03

## X-ON Electronics

Largest Supplier of Electrical and Electronic Components

*Click to view similar products for [Automotive Connectors](#) category:*

*Click to view products by [APTIV](#) manufacturer:*

Other Similar products are found below :

[003-018-000](#) [60403001](#) [60993906-B](#) [629515004020001](#) [M902-2131](#) [M902-2161](#) [72.330.1035.1](#) [73.353.4028.0](#) [F119300-B](#) [F166900](#)  
[F258300-B](#) [F358300-B](#) [F407400](#) [F444110](#) [F487000](#) [F509500B-B](#) [827153-1](#) [8N1515-32-24P](#) [9-1326729-8](#) [925474-1](#) [928905-1](#) [964562-4](#)  
[968782-1](#) [GT17SA-8DS-HU](#) [98891-1012](#) [98947-1016](#) [12004475-L](#) [12010290](#) [12010309-B](#) [12015454](#) [12020219-B](#) [12020308](#) [12041318-B](#)  
[12052225-L](#) [12052466](#) [12059125](#) [12064869](#) [12004327-B](#) [12010503-B](#) [12015308](#) [12015384](#) [12015909](#) [1-21030-1](#) [12041254](#) [12041318](#)  
[12047946-B](#) [12047957](#) [12047957-L](#) [12059473](#) [12066261](#)