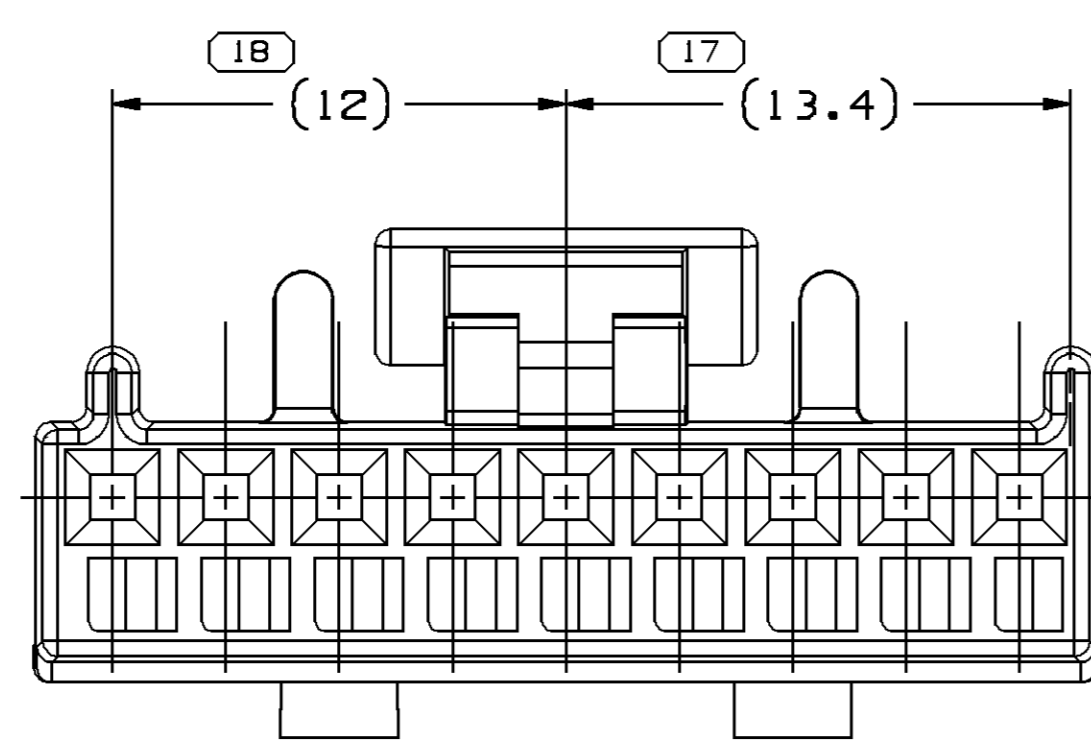
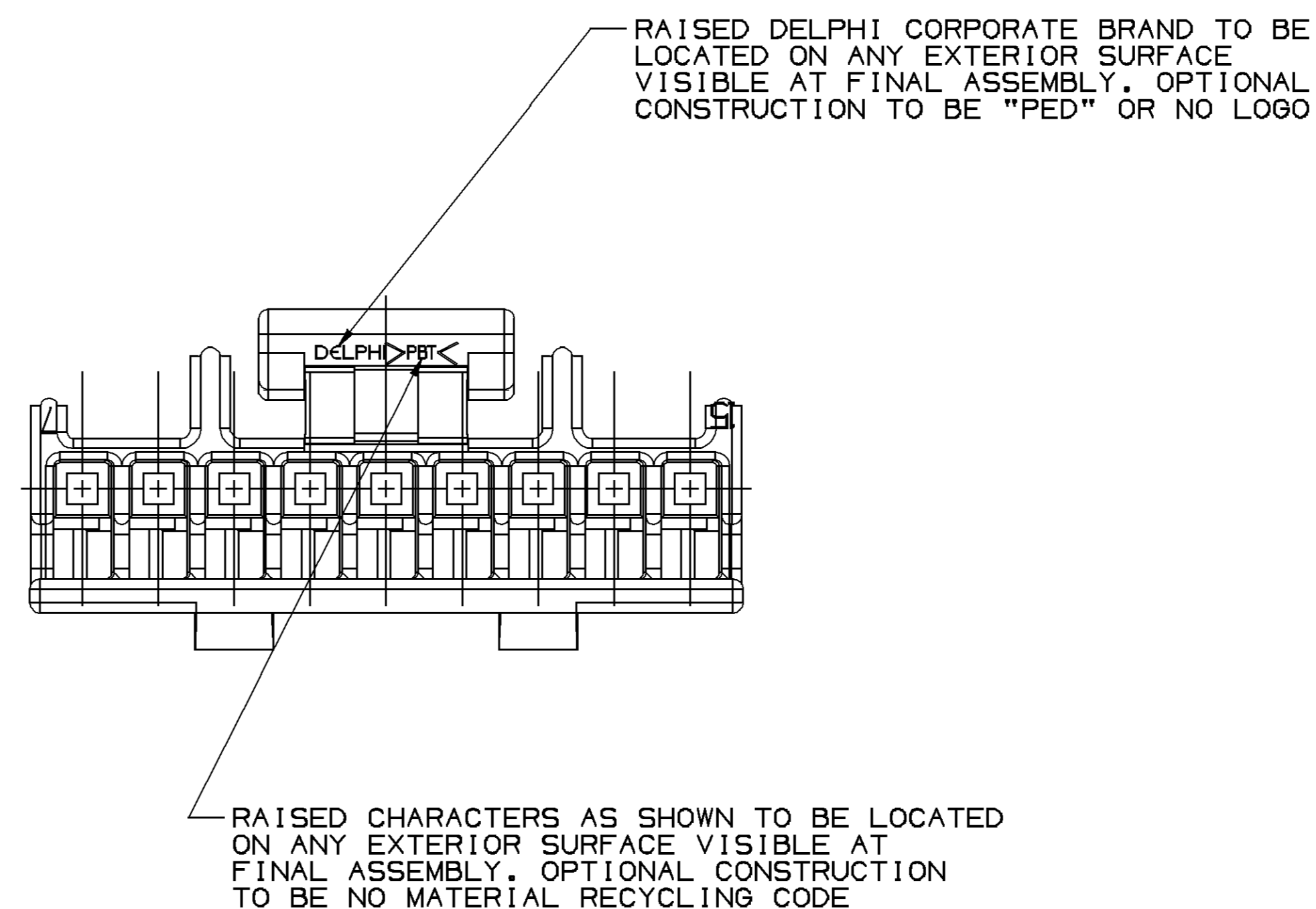
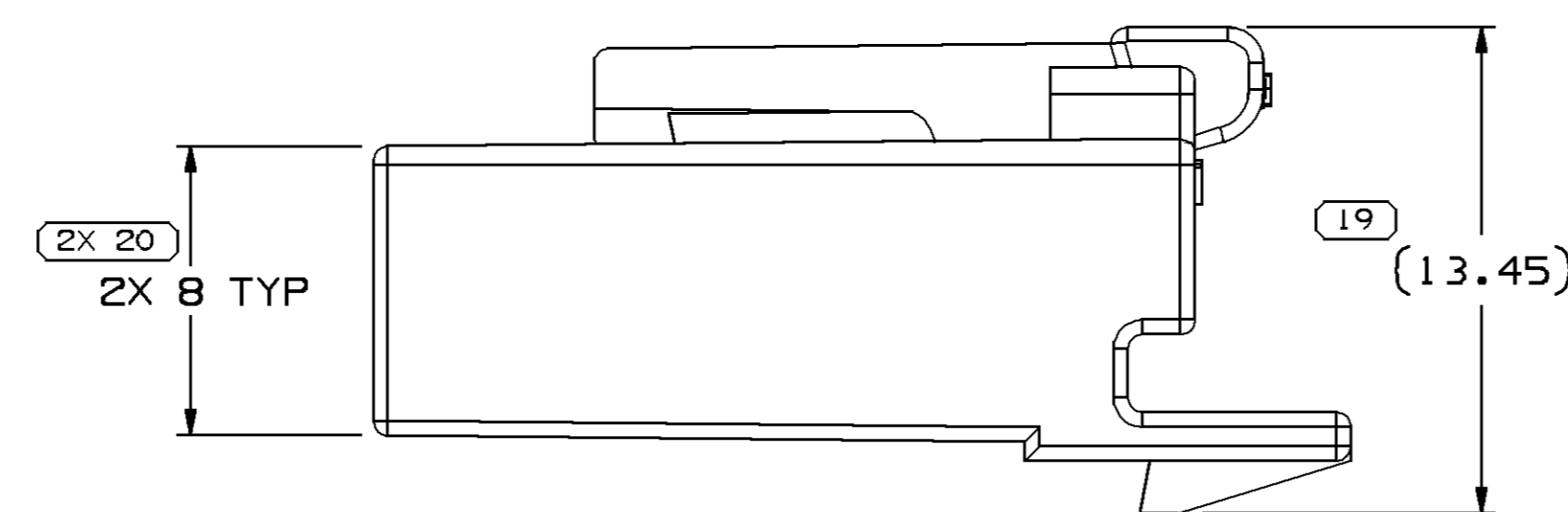
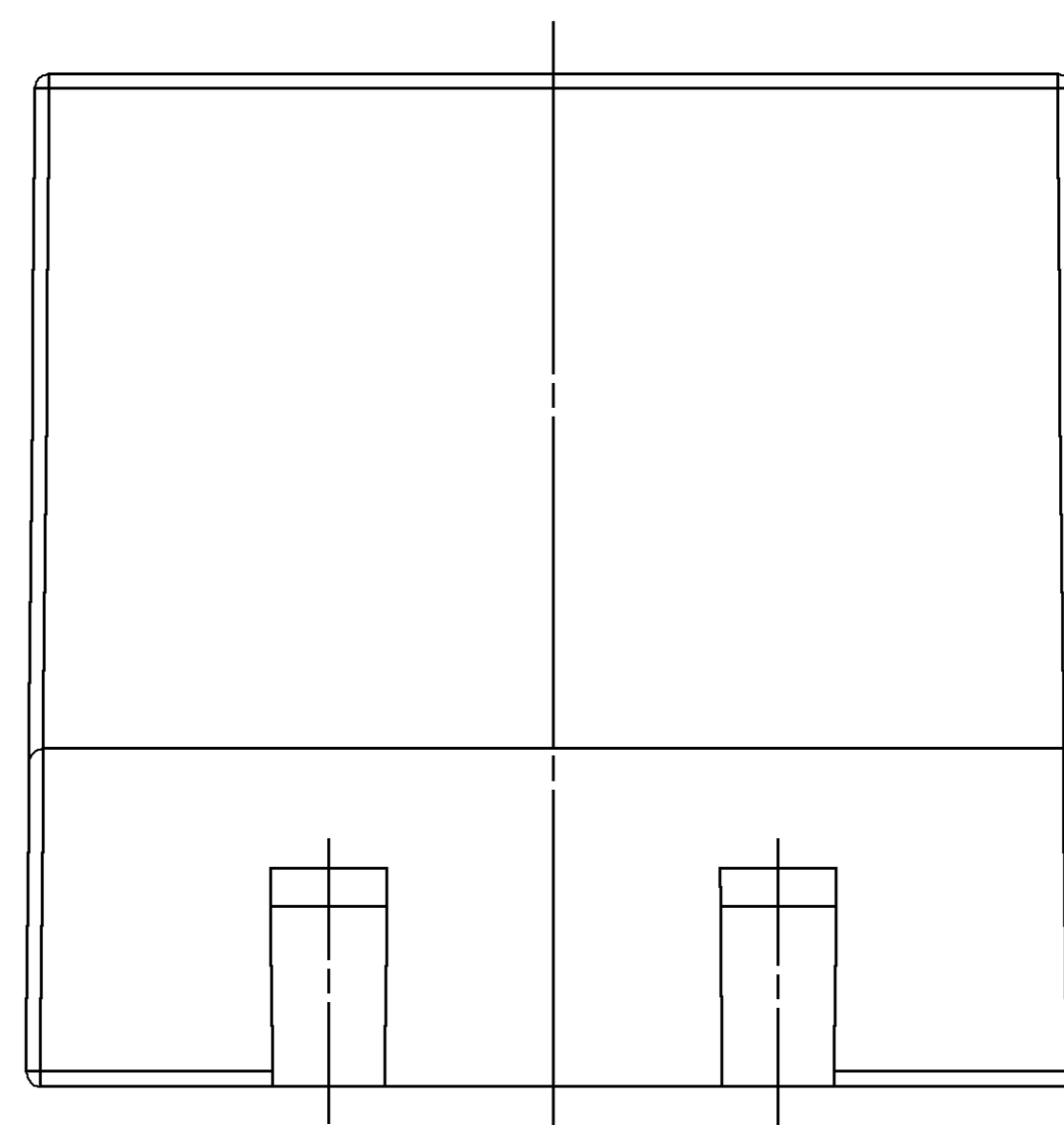
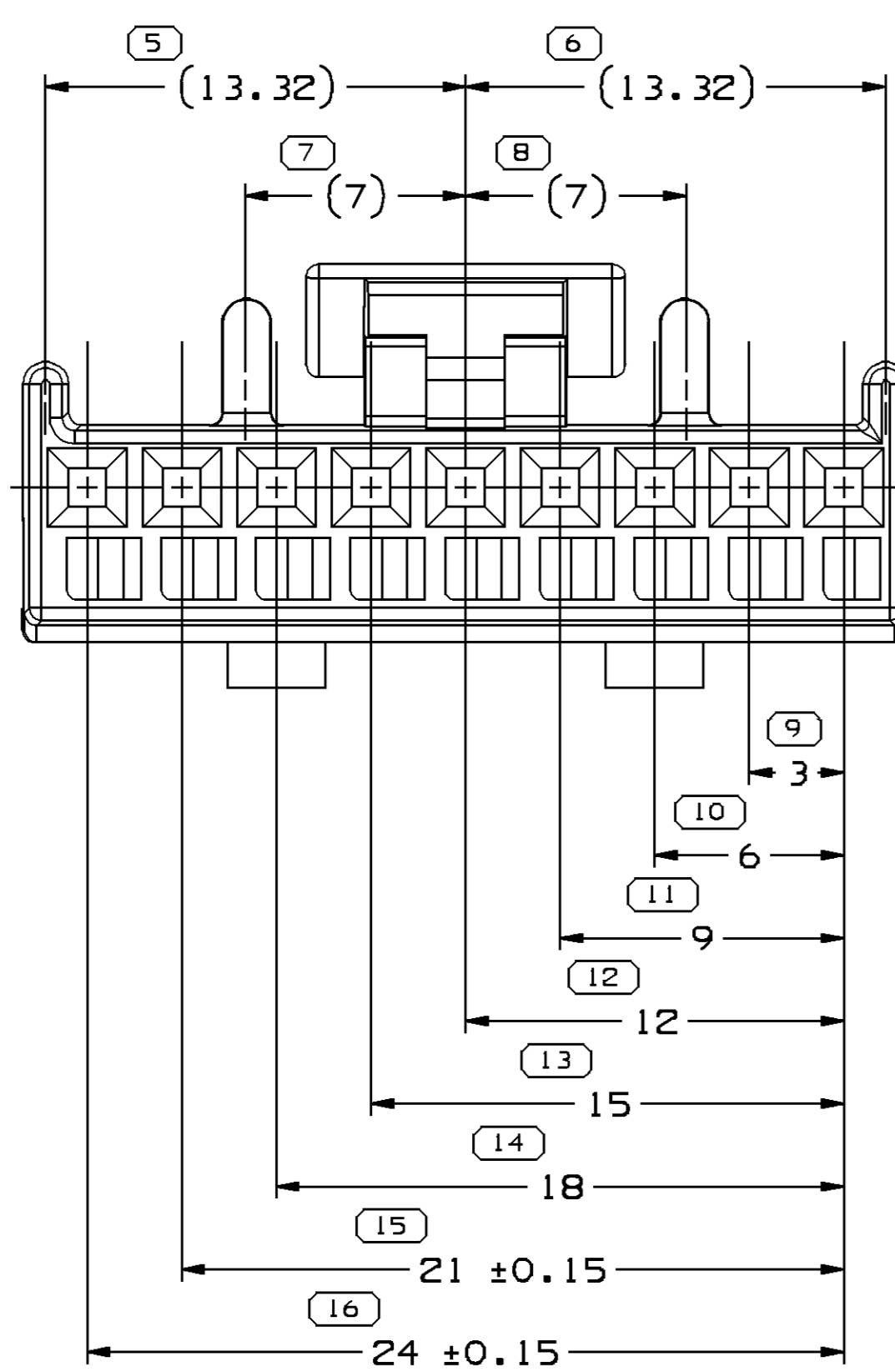
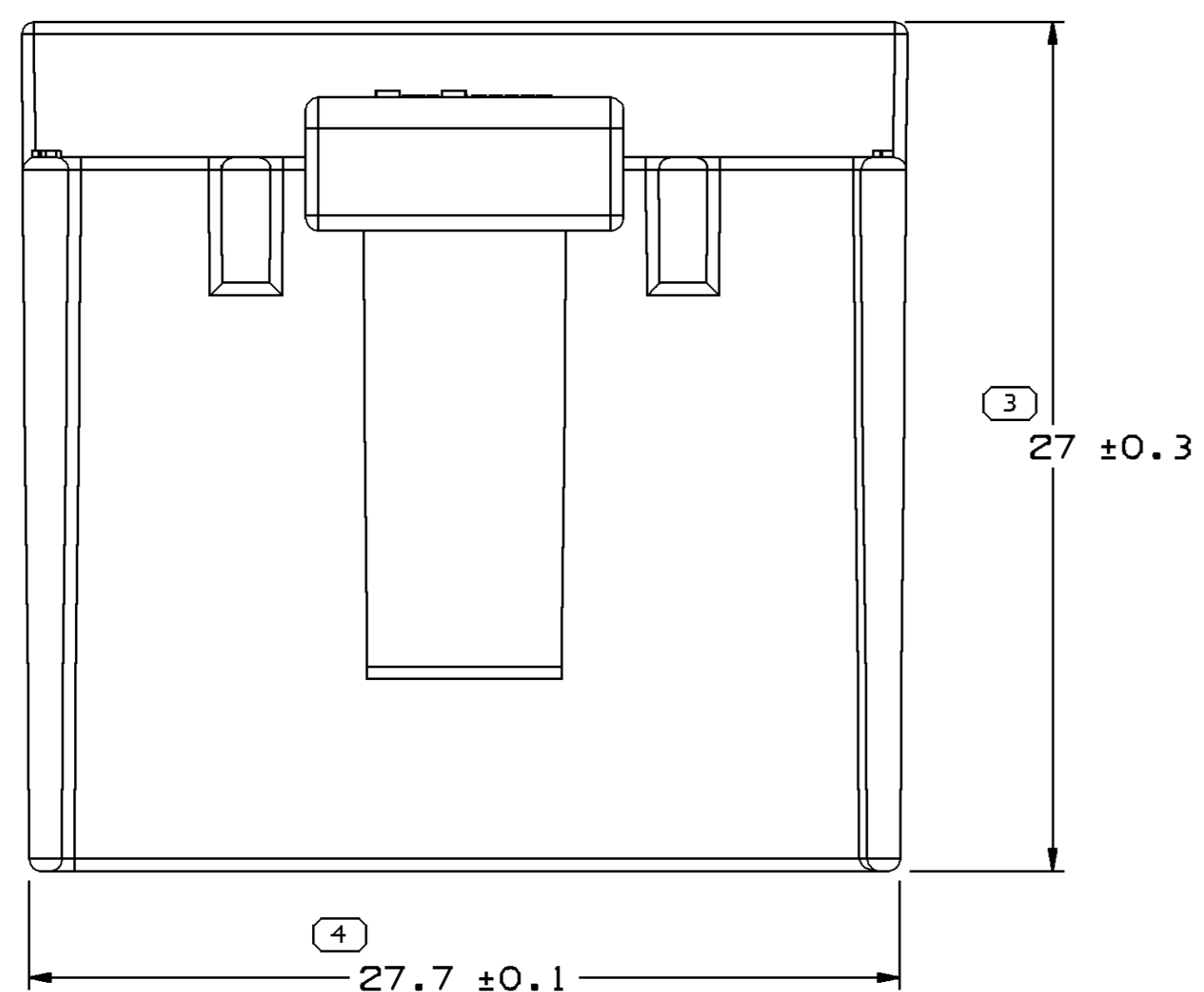


TYPE 102  
SAME AS TYPE 101  
EXCEPT AS SHOWN

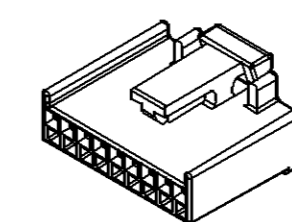


TYPE 103  
SAME AS TYPE 101  
EXCEPT AS SHOWN



RAISED DELPHI CORPORATE BRAND TO BE LOCATED ON ANY EXTERIOR SURFACE VISIBLE AT FINAL ASSEMBLY. OPTIONAL CONSTRUCTION TO BE "PED" OR NO LOGO

RAISED CHARACTERS AS SHOWN TO BE LOCATED ON ANY EXTERIOR SURFACE VISIBLE AT FINAL ASSEMBLY. OPTIONAL CONSTRUCTION TO BE NO MATERIAL RECYCLING CODE



SYMBOL DEFINITION		MISSING SYMBOLS	
A DIMENSION WITHOUT AN INSPECTION REPORT SYMBOL ( ) DOES NOT REQUIRE INSPECTION. IT MAY BE CONTROLLED ON THE INDIVIDUAL COMPONENT DRAWING.	TOTAL NO OF INSPECTIONS REQUIRED	21	NO MISSING SYMBOL NUMBER
	LAST NO. USED	20	

DWG STATUS				REVISION HISTORY				AUTH		DR		AP/VD	
DATE	STG	REV	N/P	CHG	ZONE								
03A099	R	01	-	-		CLEARED REV COLUMN & 15356878 - RELEASED	990005	JHN	JVM	RJ			
070C99	R	02	-	-		ALL PARTS - REV TOL (B PLCS)	197614	TLP	TLP	RJ			
29A000	R	03	-	-		ALL PARTS - ADDED MAT'L TO R1B5	202902	JVD	EAR	60			
030C01	R	04	-	-		ALL PARTS - ADDED OPT CONSTRUCTION & MATERIAL RECYCLING CODE NOTES	213743	HH	EDV	60			
23A006	R	05	-	-		ALL PARTS - REVISED REVISION LEVEL DUE TO TOOLING REVISION LEVEL AND UPDATED MAT'L SPEC	276494	EPS	FKV	M6R			

NOTES

- UNLESS OTHERWISE SPECIFIED AND/OR INDICATED: DIMENSIONS ARE TO FACE OF VIEW SHOWN AND AUTOMATICALLY ROUNDED BY COMPUTER FOR INSPECTION. (SEE MATH MODEL FOR PRECISE DIMENSIONS.) FOR ALL OTHER DIMENSIONS NOT SHOWN BUT REQUIRED FOR TOOL BUILD, SEE MATH MODEL FOR PRECISE TOOL PATH DATA.
- THIS PART IS NOT CONTROLLED FOR AUTOMATIC FEEDING.
- THIS PART ACCEPTS THE FOLLOWING COMPONENTS OR EQUIVALENT:
  - TERMINAL 12089660
  - MAX. INSULATION CRIMP MUST BE LESS THAN 2.3 HIGH AND 3.5 WIDE
  - MAX CABLE O.D. 2.4 REFER TO ESA-605 FOR CRIMP DIMENSIONS
  - CONNECTOR POSITION ASSURANCE LOCK 120649B9
  - TERMINAL POSITION ASSURANCE LOCK 120649B6
- FOR POLYESTER IN-PROCESS MOISTURE AND PART DEGRADATION LIMITS, SEE ES0-1502

PART NO	REV	N/P	STATUS	TYPE	MATERIAL SPECIFICATION AND COLOR	MATING CONNECTOR	VOL cm <sup>3</sup>	USE TMC
15356878	01	AA		101	M4695007 PBT-GRN	12040905	2,544	-
12066130	B	1		102	M4695001 PBT NAT	12047813	2,540	*
12065672	B	1		103	M4695003 PBT GRA	12065671	2,540	-
12064980	B	1		101	M4695002 PBT BLK	12040905	2,544	-

ECT No.	REVISION RECORD	WEIGHT	WEIGHT TOL
081WF1954	NEW ADOPTION	13.24	±0.15g

TOYOTA PART NAME	TOYOTA PART No.
HOUSING CONNECTOR FEMALE	90080-98185

DIMENSIONAL RANGE (MM)	CHGRT	ET
FROM > 0	> 30	> 100
TO 20	30	70
	70	100
	100	150
	150	200
	200	250
	250	300
	300	400

(3) PROCESS SENSITIVE DIMENSION

DIMENSIONS ENCLOSED IN ( ) INDICATE REFERENCE DIMENSIONS AND NO TOLERANCE LIMITS ARE ESTABLISHED

THIRD ANGLE PROJECTION

DO NOT SCALE

USE MATH DATA

**DELPHI**

DELPHI PACKARD ELECTRIC SYSTEMS  
WARREN, OH

DR	DATE
H. CASTRILLON	24NOV97
JOSE HUERTA	02DEC97

UNLESS OTHERWISE SPECIFIED THIS DOCUMENT IS IN ACCORDANCE WITH ASME Y14.5M-1994 AS MODIFIED BY THE IN-SPEC DIMENSIONING AND TOLERANCE ADDENDUM-2001. SEPARATE WRITINGS OR FEATURES MAY BE BASED SEPARATELY PER DELPHI 10942001

ALL DIMENSIONS ARE IN MILLIMETERS

DRAWING NAME: TAXI CONN F MIC/P 100

DRAWING NUMBER: 12064979

SCALE: 5:1

FRAME NO: 1

SHEET NO: 1

REV: R

N/P: 05

## X-ON Electronics

Largest Supplier of Electrical and Electronic Components

*Click to view similar products for [Automotive Connectors](#) category:*

*Click to view products by [APTIV](#) manufacturer:*

Other Similar products are found below :

[003-018-000](#) [60403001](#) [60993906-B](#) [629515004020001](#) [M902-2131](#) [M902-2161](#) [72.330.1035.1](#) [73.353.4028.0](#) [F119300-B](#) [F166900](#)  
[F258300-B](#) [F358300-B](#) [F407400](#) [F444110](#) [F487000](#) [F509500B-B](#) [827153-1](#) [8N1515-32-24P](#) [9-1326729-8](#) [925474-1](#) [928905-1](#) [964562-4](#)  
[968782-1](#) [GT17SA-8DS-HU](#) [98891-1012](#) [98947-1016](#) [12004475-L](#) [12010290](#) [12010309-B](#) [12015454](#) [12020219-B](#) [12020308](#) [12041318-B](#)  
[12052225-L](#) [12052466](#) [12059125](#) [12064869](#) [12004327-B](#) [12010503-B](#) [12015308](#) [12015384](#) [12015909](#) [1-21030-1](#) [12041254](#) [12041318](#)  
[12047946-B](#) [12047957](#) [12047957-L](#) [12059473](#) [12066261](#)