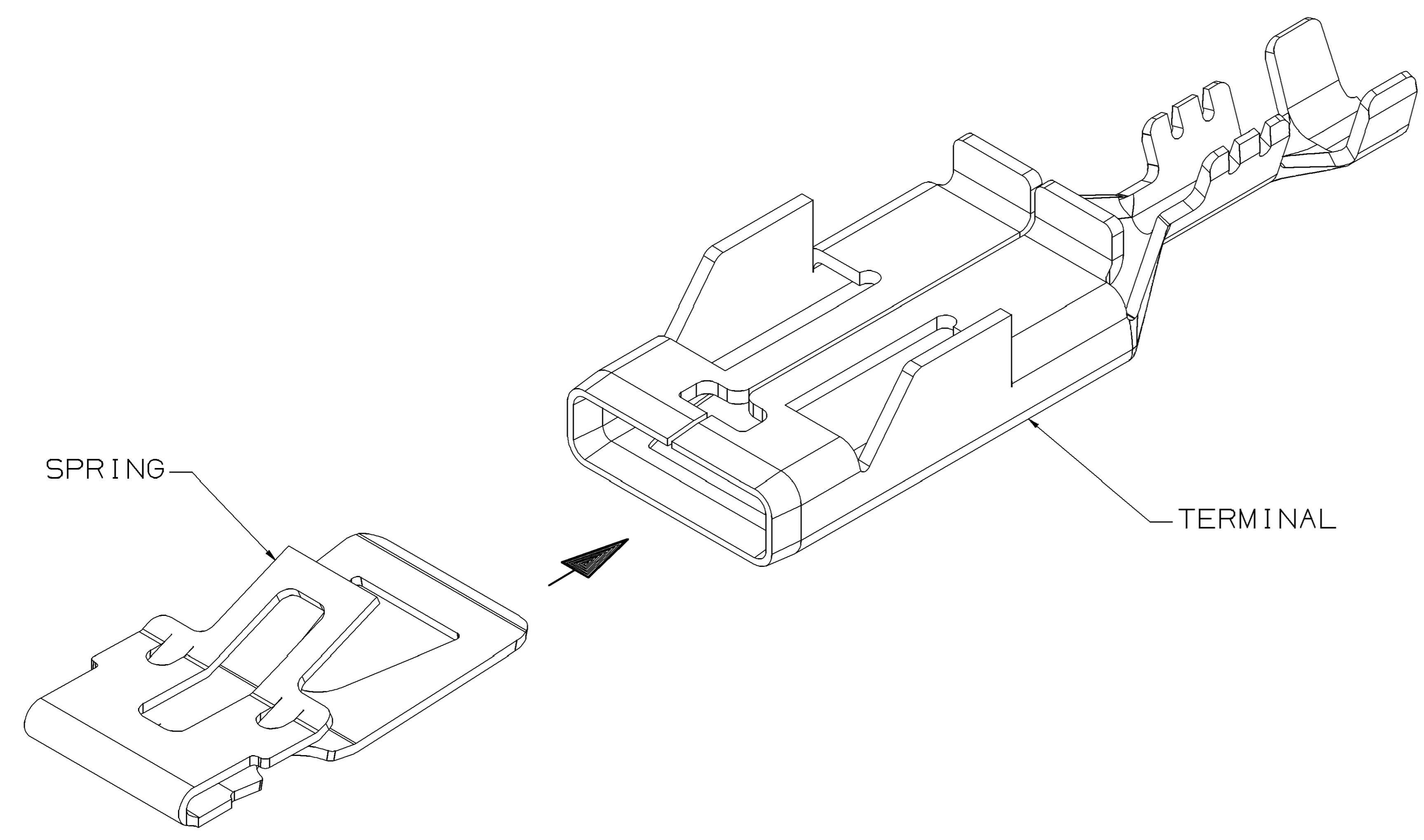
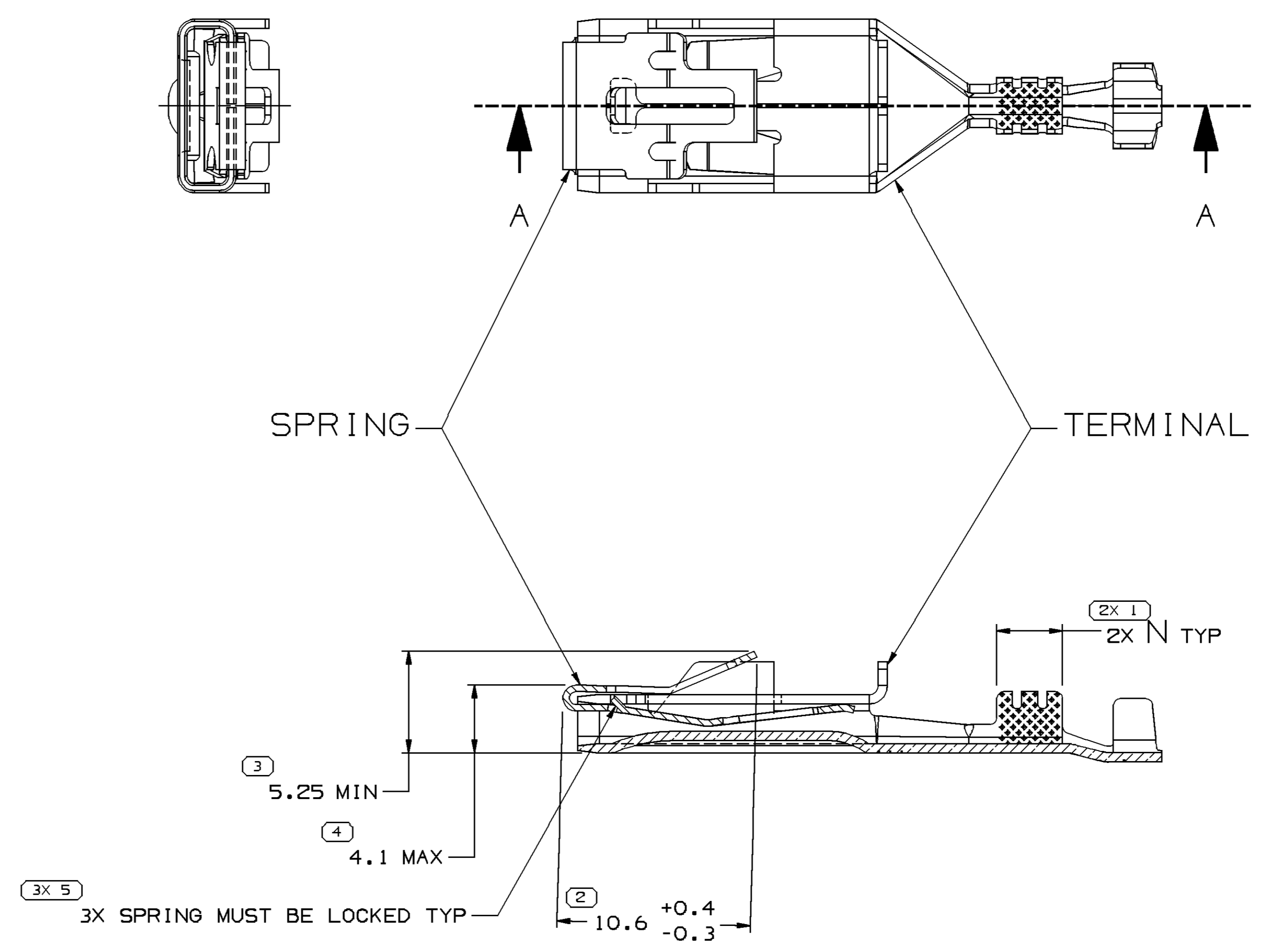


SYMBOL DEFINITION		MISSING SYMBOLS	
A DIMENSION WITHOUT AN INSPECTION REPORT SYMBOL DOES NOT REQUIRE INSPECTION. IT MAY BE CONTROLLED ON THE INDIVIDUAL COMPONENT DRAWING.	TOTAL NO OF INSPECTIONS REQUIRED	NO MISSING SYMBOL NUMBER	
	8		
	LAST NO. USED		
	5		

DWG STATUS				REVISION HISTORY		AUTH		DR		AP/VD	
DATE	STG	REV	N/P	CHG	ZONE						
21MR00	R	001	-	-		CLEARED REV COLUMN: ALL PARTS - REDRAWN TO PD		000009	EVY	061	AL
07N001	R	002	-	-		12065915 - UPDATED PDM ATTRIBUTES		215046	MFL	MFL	DLB
30JA02	R	003	-	-		12065918 - UPDATED PDM ATTRIBUTES		219729	JMR	JMR	AM
30JA02	R	004	-	-		12110128 - UPDATED PDM ATTRIBUTES		219730	JMR	JMR	AM
07MR06	R	05	-	-		12146942 - INACTIVE		278088	JTZ	JVM	BDG

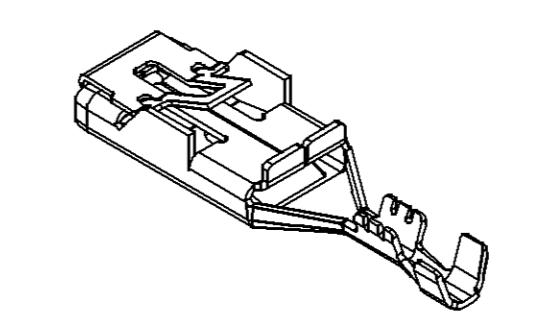


STANDARD ASSEMBLY
SCALE 10:1



SECTION A-A

STANDARD CRIMP TERMINAL ASSEMBLY



VIEW SCALE DOES NOT REFLECT ACTUAL PART SIZE

NOTES

- UNLESS OTHERWISE SPECIFIED AND/OR INDICATED: DIMENSIONS ARE TO FACE OF VIEW SHOWN AND AUTOMATICALLY ROUNDED BY COMPUTER FOR INSPECTION (SEE MATH MODEL FOR PRECISE DIMENSIONS). FOR ALL OTHER DIMENSIONS NOT SHOWN BUT REQUIRED FOR TOOL BUILD, SEE MATH MODEL FOR PRECISE TOOL PATH DATA.
- TERMINALS TO BE USED WITH 12065900 FUSE BLOCK OR EQUIVALENT.
- TERMINAL ENGAGE ION TO 35N WHEN MATED TO A 8 MM WIDE X 0.81 MM THICK HARDENED STEEL BLADE.
- MATING COMPONENTS OR EQUIVALENT: MAX1 FUSE 12065938
- NO SPECIAL PACKAGING REQUIRED.
- RECOVERY NOTE - AFTER INSERTION INTO A 4.3 FUNCTIONAL GAGE, 5.25 MIN TANG MUST RECOVER TO A MINIMUM OF 5.
- TERMINAL FOR USE IN SEALED CAVITY REF CONN 12129380. USE CABLE SEAL 12129381.
- TERMINAL FOR USE IN UNSEALED CAVITY REF CONN 12160893.
- TERMINAL FOR USE IN SEALED CAVITY REF CONN 15336743. USE CABLE SEAL 15336703.

ASM PART NO	REV	N/P	STATUS	DESCRIPTION	SPRING PART NO	TERMINAL PART NO	N MAX	APPLICATION
15336748	A2	-	-	5 MM ² SEALED TERMINAL	12065905	15336629	7	NOTE 9
12146942	A2	-	INACTIVE	8 MM ² CRIMPED TERMINAL	12065905	12146941	7	NOTE 8
12129414	A2	-	-	8 MM ² SEALED TERMINAL	12065905	12129383	7	NOTE 7
12110128	A4	-	-	TWO 2 MM ² CRIMPED TERMINAL	12065905	12110126	6	NOTE 2
12110127	A3	-	-	5 MM ² CRIMPED TERMINAL	12065905	12110125	6	NOTE 2
12092445	B3	-	-	TWO 5 MM ² CRIMPED TERMINAL	12065905	12092443	6	NOTE 2
12092444	A7	-	-	TWO 3 MM ² CRIMPED TERMINAL	12065905	12092442	6	NOTE 2
12065921	A9	-	OBSOLETE	TWO 5 MM ² CRIMPED TERMINAL	12065905	12065913	4	NOTE 2
12065920	A9	-	OBSOLETE	TWO 3 MM ² CRIMPED TERMINAL	12065905	12065912	4	NOTE 2
12065919	A9	-	OBSOLETE	TWO 2 MM ² CRIMPED TERMINAL	12065905	12065911	4	NOTE 2
12065918	B4	-	-	TWO 1 MM ² CRIMPED TERMINAL	12065905	12065910	4	NOTE 2
12065917	A9	-	OBSOLETE	5 MM ² CRIMPED TERMINAL	12065905	12065909	4	NOTE 2
12065916	B3	-	-	3-2 MM ² CRIMPED TERMINAL	12065905	12065908	4	NOTE 2
12065915	B4	-	-	1-0.8 MM ² CRIMPED TERMINAL	12065905	12065907	4	NOTE 2

TERMINAL AND SPRING ASSEMBLIES

DWG TYPE		PART DRAWING	
STYLE		DISTR CODE	D
VOLUME 10/11			
UNLESS OTHERWISE SPECIFIED THIS DOCUMENT IS IN ACCORDANCE WITH ASME Y14.5M-1994 AS MODIFIED BY THE IN-SPEC DIMENSIONING AND TOLERANCE ADDENDUMS. SEPARATE WRITINGS OF FEATURES MAY BE BASED SEPARATELY PER USE OF DATUM REFERENCES.			
ALL DIMENSIONS ARE IN MILLIMETERS			
DIMENSIONS ENCLOSED IN () INDICATE REFERENCE DIMENSIONS AND NO TOLERANCE LIMITS ARE ESTABLISHED			
DIMENSIONAL RANGE: DIM	CHART D	THIRD ANGLE PROJECTION	DO NOT SCALE
FROM 0 TO 12	>12		
TOLERANCE UNLESS OTHERWISE SPECIFIED		USE MATH DATA	
+0.1	+0.2		
ANGULAR TOLERANCE 32°			

DELPHI
DELPHI PACKARD ELECTRIC SYSTEMS
WREN, OH

DR	DATE
APV01 JAY H. GARRETSON	21JN85
APV02 R. GLEASON	21AUB6
APV03 D. BRANTINGHAM	155E86
APV04 R. PETROSKY	165E86
APV05	

SUBSTANCES OF CONCERN AND RECYCLED CONTENT PER DELPHI 10949001

DRAWING NAME: TAXI ASM TERM M/P 800

DRAWING NUMBER: 12065914

SIZE: A0 SCALE: 5:1 FRG: NO 1 OF 1 SHEET NO: 2 OF 2 STG: REV: N/P: R 05

X-ON Electronics

Largest Supplier of Electrical and Electronic Components

Click to view similar products for [Automotive Connectors](#) category:

Click to view products by [APTIV](#) manufacturer:

Other Similar products are found below :

[003-018-000](#) [60403001](#) [60993906-B](#) [629515004020001](#) [M902-2131](#) [M902-2161](#) [72.330.1035.1](#) [73.353.4028.0](#) [F119300-B](#) [F166900](#)
[F258300-B](#) [F358300-B](#) [F407400](#) [F444110](#) [F487000](#) [F509500B-B](#) [827153-1](#) [8N1515-32-24P](#) [9-1326729-8](#) [925474-1](#) [928905-1](#) [964562-4](#)
[968782-1](#) [GT17SA-8DS-HU](#) [98891-1012](#) [98947-1016](#) [12004475-L](#) [12010290](#) [12010309-B](#) [12015454](#) [12020219-B](#) [12020308](#) [12041318-B](#)
[12052225-L](#) [12052466](#) [12059125](#) [12064869](#) [12004327-B](#) [12010503-B](#) [12015308](#) [12015384](#) [12015909](#) [1-21030-1](#) [12041254](#) [12041318](#)
[12047946-B](#) [12047957](#) [12047957-L](#) [12059473](#) [12066261](#)