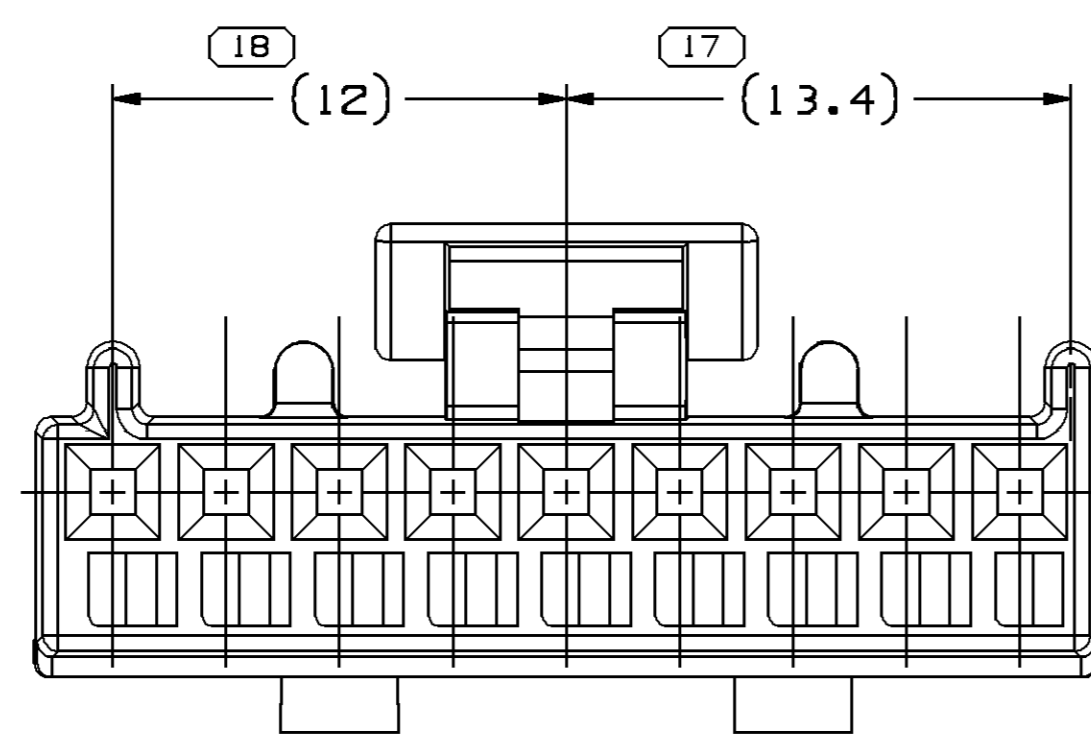
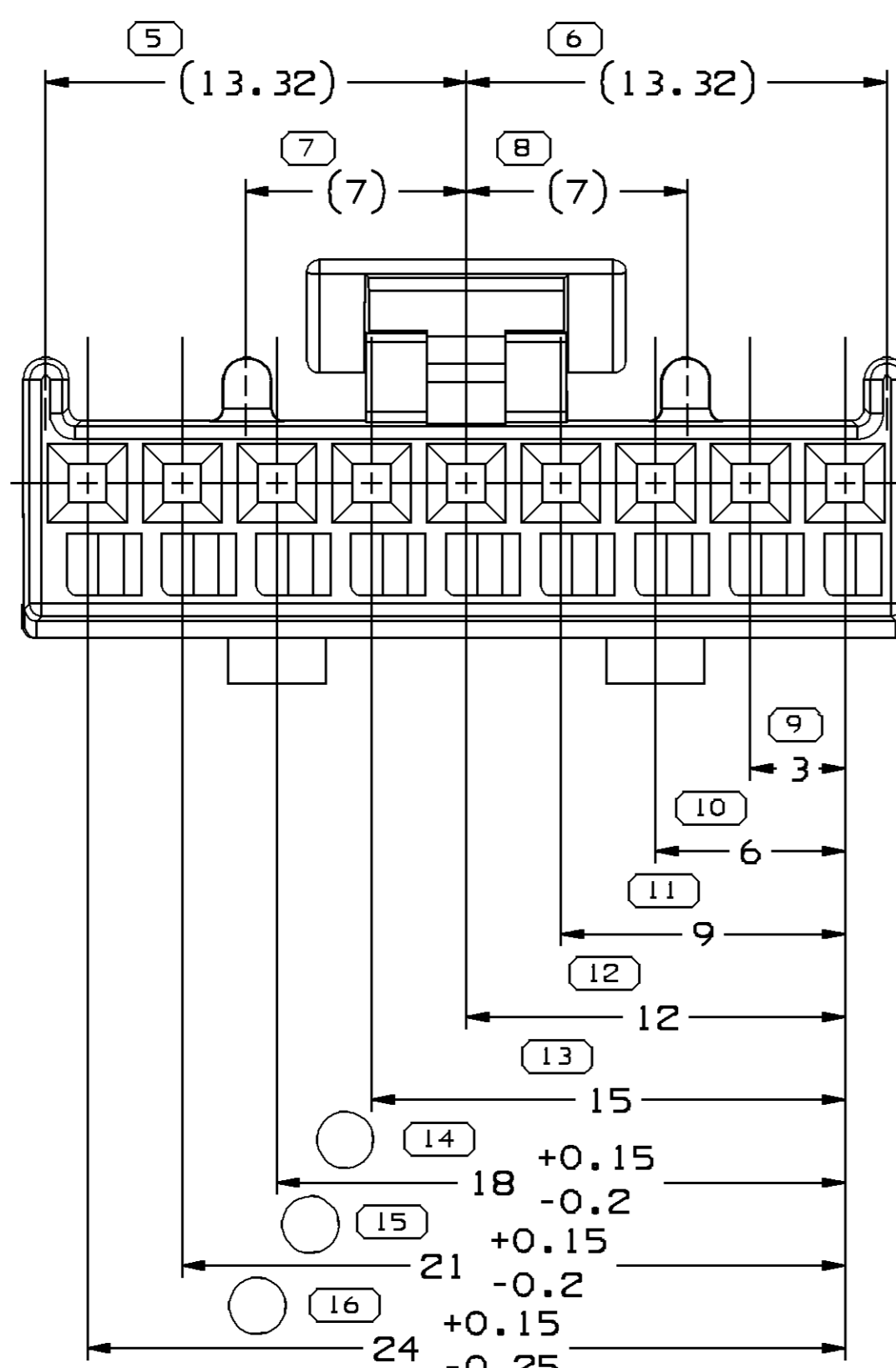
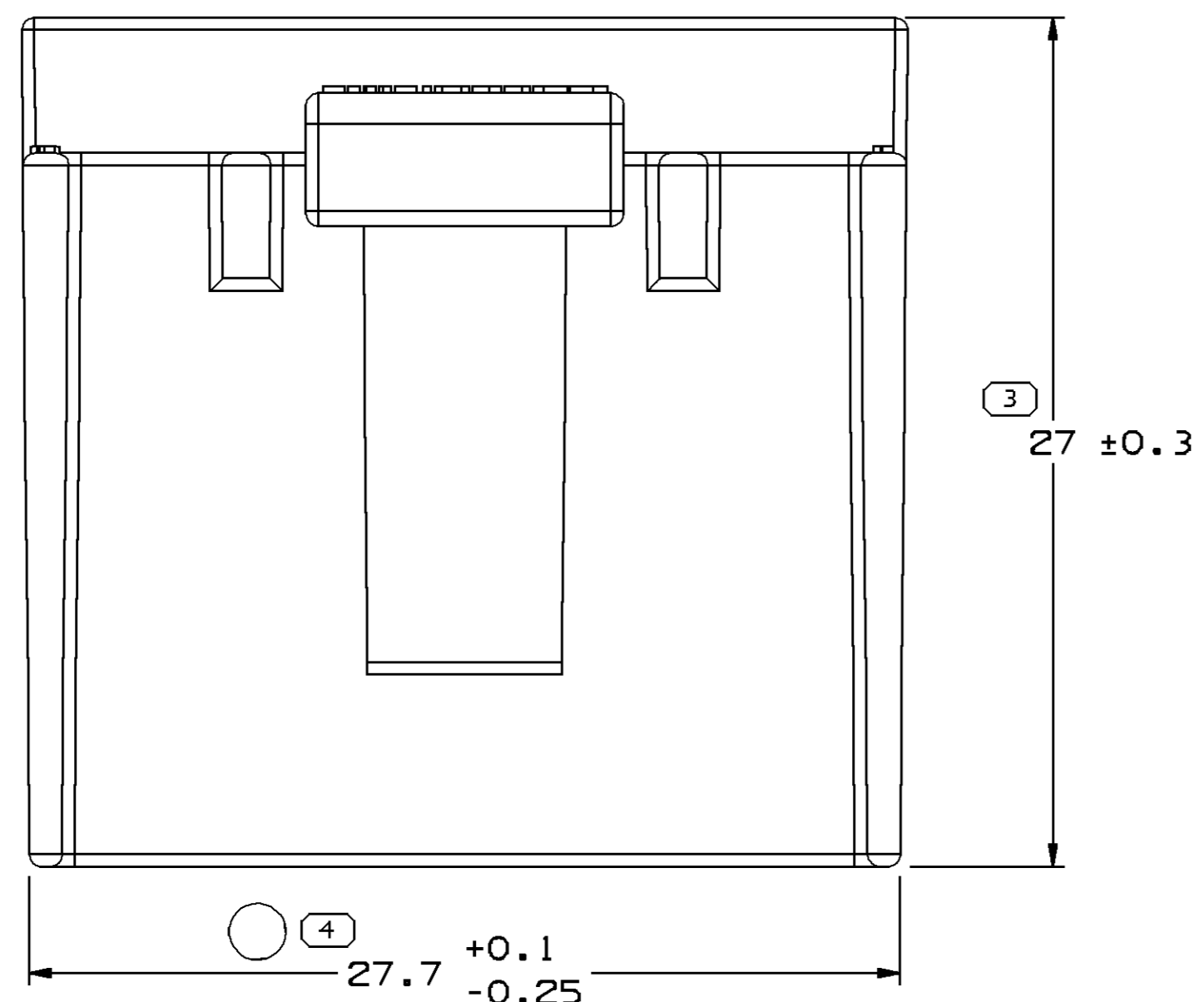


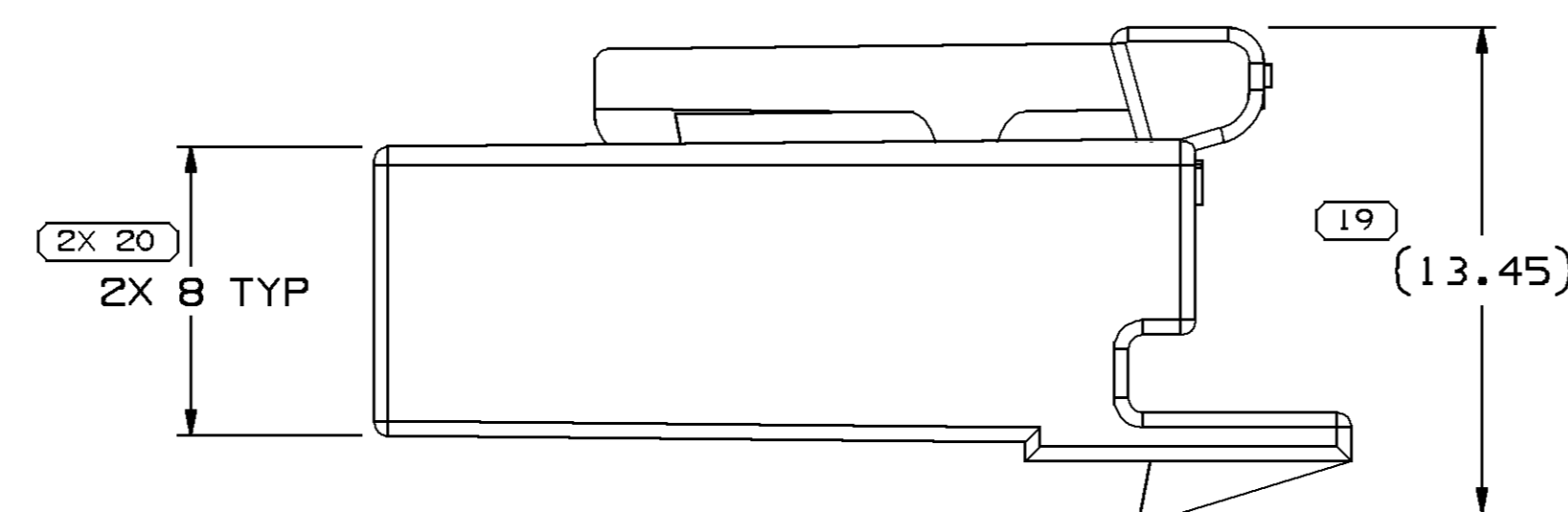
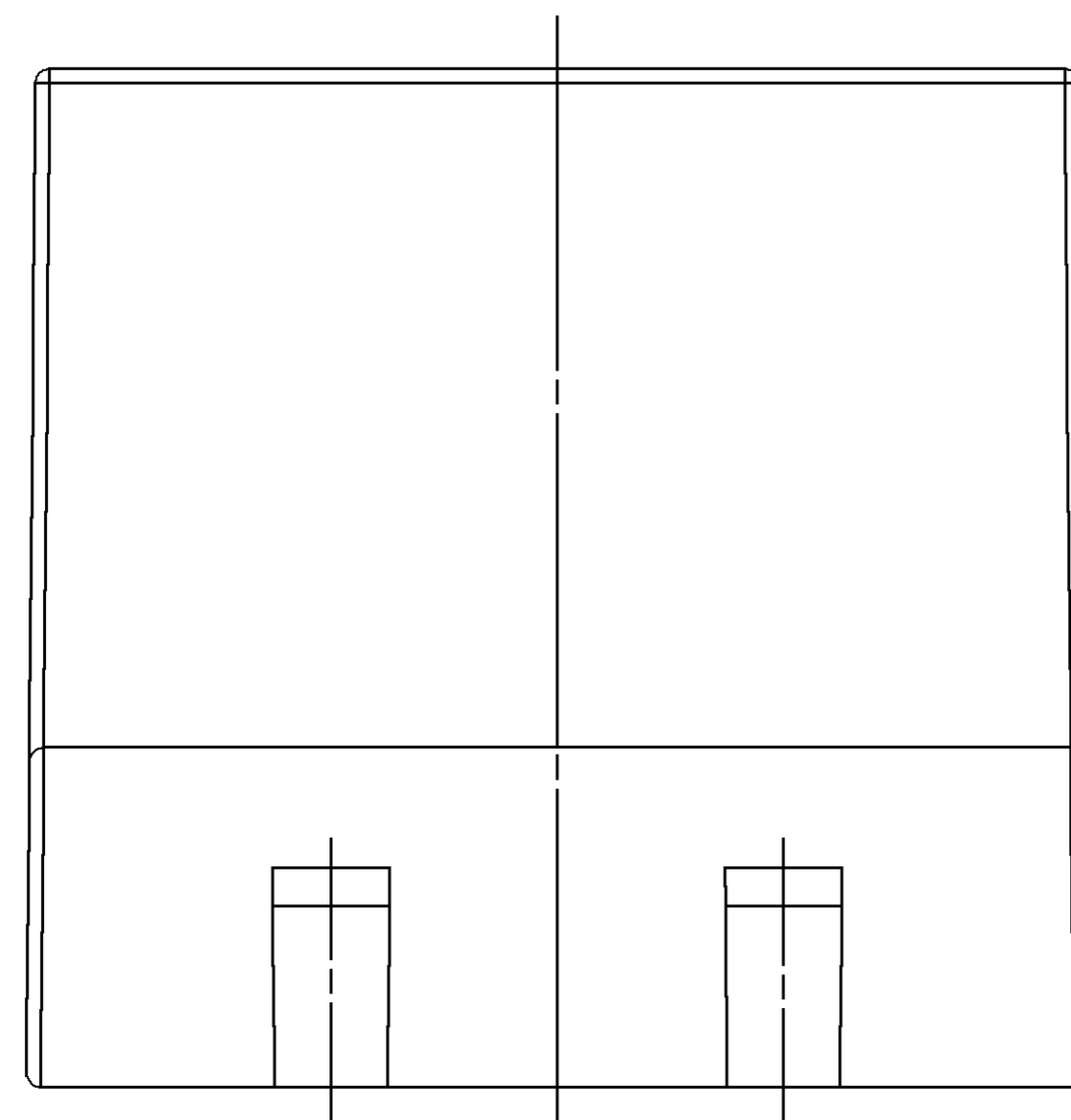
TYPE 102
SAME AS TYPE 101
EXCEPT AS SHOWN



TYPE 103
SAME AS TYPE 101
EXCEPT AS SHOWN

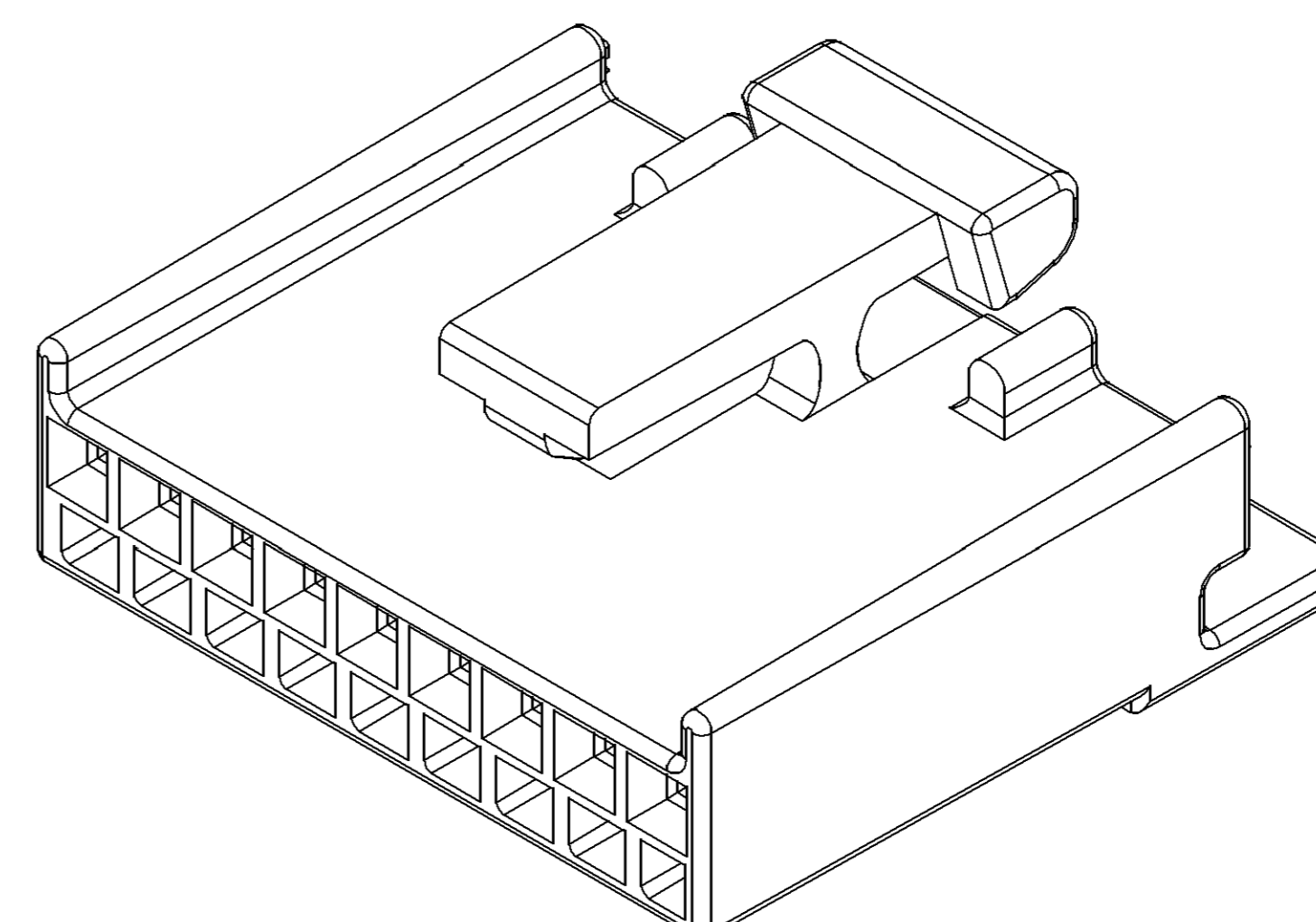


TYPE 101

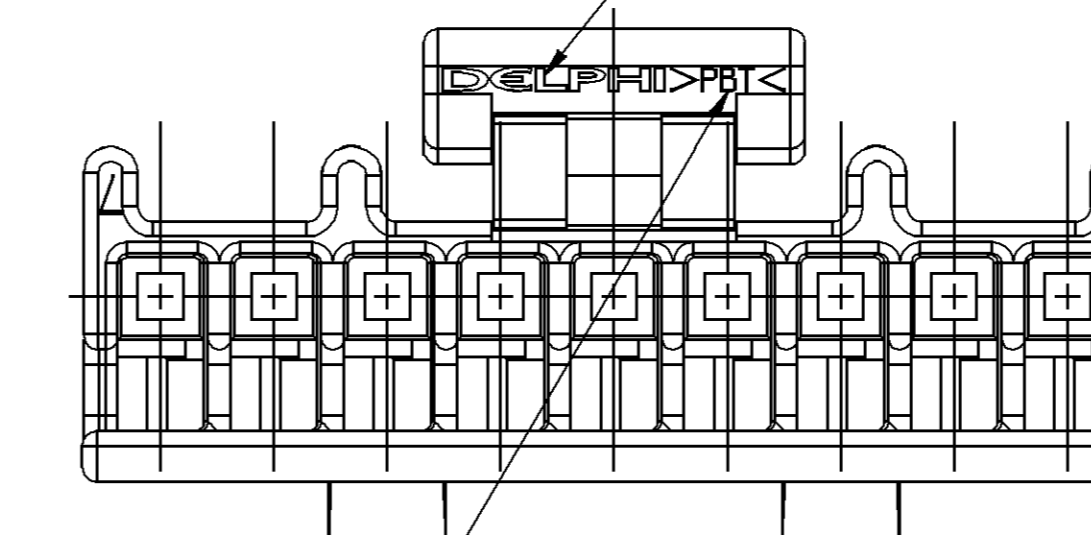


SYMBOL DEFINITION		MISSING SYMBOLS	
A DIMENSION WITHOUT AN INSPECTION REPORT SYMBOL () DOES NOT REQUIRE INSPECTION. IT MAY BE CONTROLLED ON THE INDIVIDUAL COMPONENT DRAWING.	TOTAL NO OF INSPECTIONS REQUIRED	21	NO MISSING SYMBOL NUMBER
	LAST NO. USED	20	

DATE	STO	REV	N/P	CHG	ZONE	REVISION HISTORY	AUTH	DR	AP/D	AP/D
03A099	R	01	-	-	-	CLEARED REV COLUMN & 15356878 - RELEASED	990005	JHN	JVM	RJ
070C99	R	02	-	-	-	ALL PARTS - REV TOL (8 PLCS)	197614	TLP	TLP	RJ
29A000	R	03	-	-	-	ALL PARTS - ADDED MAT'L TO RIBS	202902	JVD	EAR	80
030C01	R	04	-	-	-	ALL PARTS - ADDED OPT CONSTRUCTION & MATERIAL RECYCLING CODE NOTES	213743	HH	EDV	80
23A006	R	05	-	-	-	ALL PARTS - REVISED REVISION LEVEL DUE TO TOOLING REVISION LEVEL AND UPDATED MAT'L SPEC	276494	EPS	FKV	M6R
05SE06	R	06	-	-	-	ALL PARTS - REVISED TOL DIMS (4 PLCS); ALL MODELS & TYPES BACK TO REVISION 02	283807	JS	JS	RR



RAISED DELPHI CORPORATE BRAND TO BE LOCATED ON ANY EXTERIOR SURFACE VISIBLE AT FINAL ASSEMBLY. OPTIONAL CONSTRUCTION TO BE "PED" OR NO LOGO



RAISED CHARACTERS AS SHOWN TO BE LOCATED ON ANY EXTERIOR SURFACE VISIBLE AT FINAL ASSEMBLY. OPTIONAL CONSTRUCTION TO BE NO MATERIAL RECYCLING CODE

NOTES

- UNLESS OTHERWISE SPECIFIED AND/OR INDICATED: DIMENSIONS ARE TO FACE OF VIEW SHOWN AND AUTOMATICALLY ROUNDED BY COMPUTER FOR INSPECTION. (SEE MATH MODEL FOR PRECISE DIMENSIONS.) FOR ALL OTHER DIMENSIONS NOT SHOWN BUT REQUIRED FOR TOOL BUILD, SEE MATH MODEL FOR PRECISE TOOL PATH DATA.
- THIS PART IS NOT CONTROLLED FOR AUTOMATIC FEEDING.
- THIS PART ACCEPTS THE FOLLOWING COMPONENTS OR EQUIVALENT:
 - TERMINAL 12089660
 - MAX. INSULATION CRIMP MUST BE LESS THAN 2.3 HIGH AND 3.5 WIDE
 - MAX CABLE O.D. 2.4 REFER TO ESA-605 FOR CRIMP DIMENSIONS
 - CONNECTOR POSITION ASSURANCE LOCK 12064989
 - TERMINAL POSITION ASSURANCE LOCK 12064986
- FOR POLYESTER IN-PROCESS MOISTURE AND PART DEGRADATION LIMITS, SEE ES0-1502

PART NO	REV	N/P	STATUS	TYPE	MATERIAL SPECIFICATION AND COLOR	MATING CONNECTOR	VOL cm ³	USE TMC
15356878	01	AB		101	M4695007 PBT-GRN	12040905	2,544	-
12066130	B2			102	M4695001 PBT NAT	12047813	2,540	*
12065672	B2			103	M4695003 PBT GRA	12065671	2,540	-
12064980	B2			101	M4695002 PBT BLK	12040905	2,544	-

ECT No.	REVISION RECORD	WEIGHT	WEIGHT TOL
081WF1954	NEW ADOPTION	13.24	±0.15g

TOYOTA PART NAME	TOYOTA PART NO.
HOUSING CONNECTOR FEMALE	90080-9B185

STAFF CODE	TOYOTA MOTOR CORPORATION
DM700	

DIMENSIONAL RANGE (MM)	SHORT ET
FROM > 0 TO > 20	> 70
> 20 TO > 30	> 100
> 30 TO > 40	> 150
> 40 TO > 50	> 200
> 50 TO > 60	> 250
> 60 TO > 70	> 300
> 70 TO > 80	> 400

UNLESS OTHERWISE SPECIFIED THIS DOCUMENT IS IN ACCORDANCE WITH ASME Y14.5M-1994 AS MODIFIED BY THE M SI SYSTEM. DIMENSIONS AND TOLERANCES ARE IN MILLIMETERS UNLESS OTHERWISE SPECIFIED. DIMENSIONS IN PARENTHESES ARE FOR INFORMATION ONLY. DIMENSIONS IN BRACKETS ARE FOR INFORMATION ONLY. DIMENSIONS IN SQUARE BRACKETS ARE FOR INFORMATION ONLY. DIMENSIONS IN CIRCLES ARE FOR INFORMATION ONLY. DIMENSIONS IN TRIANGLES ARE FOR INFORMATION ONLY. DIMENSIONS IN DIAMETERS ARE FOR INFORMATION ONLY. DIMENSIONS IN SQUARE ROOTS ARE FOR INFORMATION ONLY. DIMENSIONS IN FRACTIONS ARE FOR INFORMATION ONLY. DIMENSIONS IN DECIMALS ARE FOR INFORMATION ONLY. DIMENSIONS IN PERCENTS ARE FOR INFORMATION ONLY. DIMENSIONS IN OTHER UNITS ARE FOR INFORMATION ONLY.

ALL DIMENSIONS ARE IN MILLIMETERS

THIRD ANGLE PROJECTION

DO NOT SCALE

USE MATH DATA

UNIGRAPHICS

DELPHI

DELPHI PACKARD ELECTRIC SYSTEMS
WARREN, OH

DR	DATE
H. CASTRILLON	24NOV97
JOSE HUERTA	02DEC97

AP/D01
AP/D02
AP/D03
AP/D04
AP/D05

SUBSTANCES OF CONCERN AND RECYCLED CONTENT PER DELPHI 1094001

DRAWING NAME
TAXI CONN F MIC/P 100

DRAWING NUMBER
12064979

SIZE A0
SCALE 5:1
FRAME NO 1
SHEET NO 1 OF 1
REV N/P R 06

X-ON Electronics

Largest Supplier of Electrical and Electronic Components

Click to view similar products for [Automotive Connectors](#) category:

Click to view products by [APTIV](#) manufacturer:

Other Similar products are found below :

[003-018-000](#) [60403001](#) [60993906-B](#) [629515004020001](#) [M902-2131](#) [M902-2161](#) [72.330.1035.1](#) [73.353.4028.0](#) [F119300-B](#) [F166900](#)
[F258300-B](#) [F358300-B](#) [F407400](#) [F444110](#) [F487000](#) [F509500B-B](#) [827153-1](#) [8N1515-32-24P](#) [9-1326729-8](#) [925474-1](#) [928905-1](#) [964562-4](#)
[968782-1](#) [GT17SA-8DS-HU](#) [98891-1012](#) [98947-1016](#) [12004475-L](#) [12010290](#) [12010309-B](#) [12015454](#) [12020219-B](#) [12020308](#) [12041318-B](#)
[12052225-L](#) [12052466](#) [12059125](#) [12064869](#) [12004327-B](#) [12010503-B](#) [12015308](#) [12015384](#) [12015909](#) [1-21030-1](#) [12041254](#) [12041318](#)
[12047946-B](#) [12047957](#) [12047957-L](#) [12059473](#) [12066261](#)