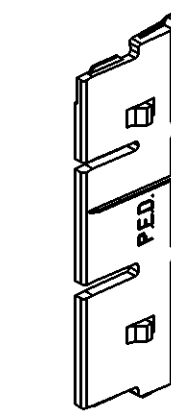
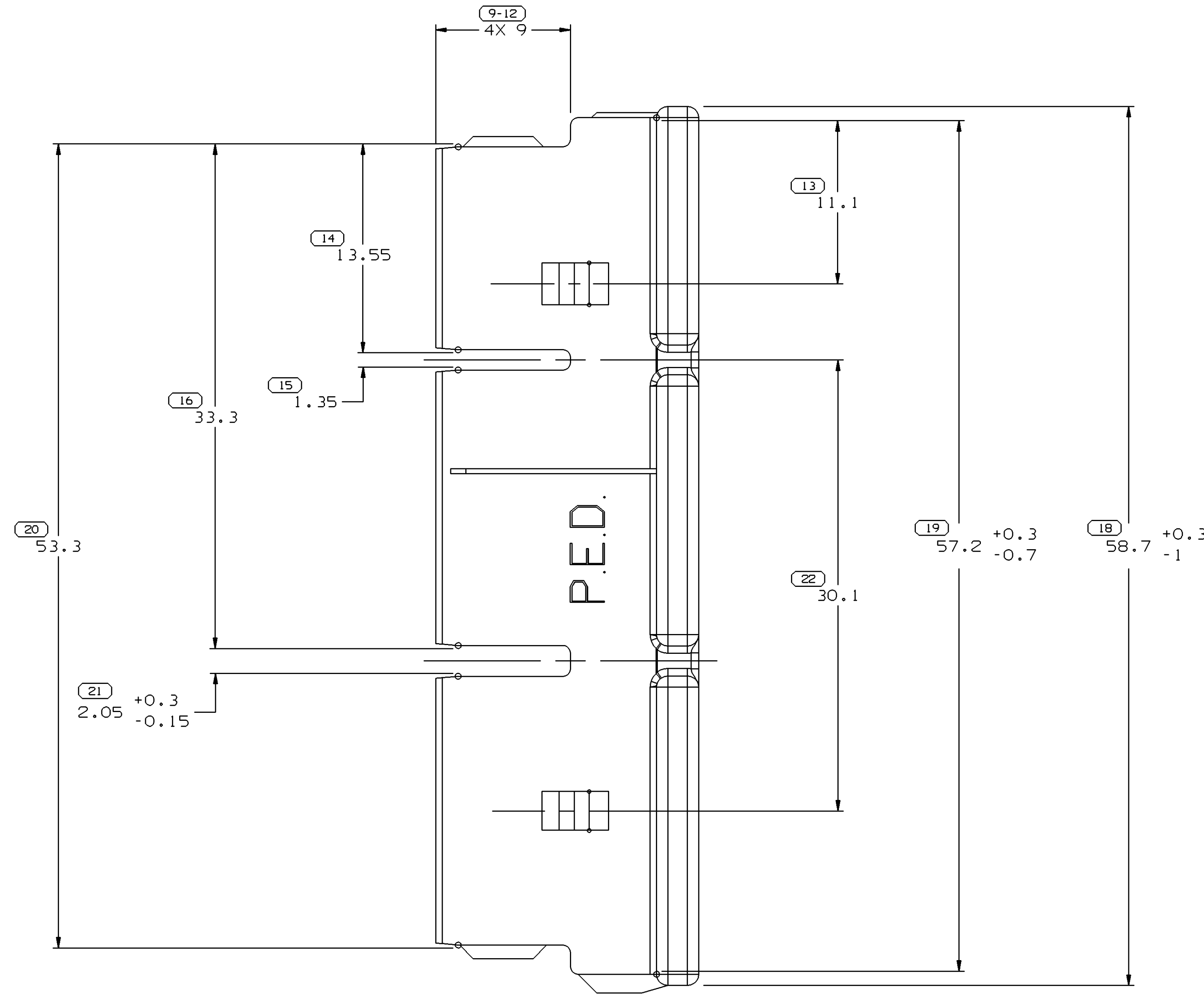
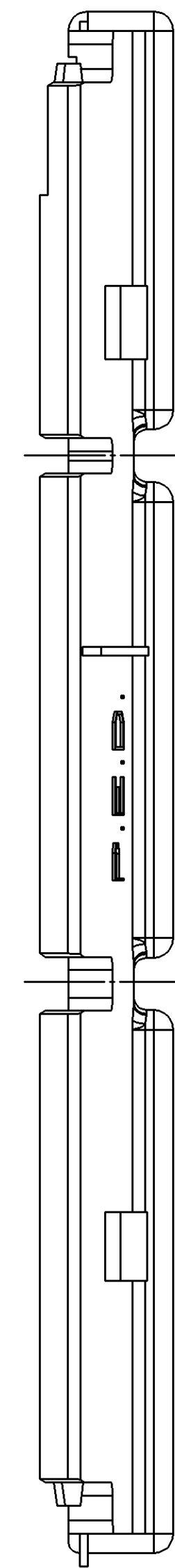
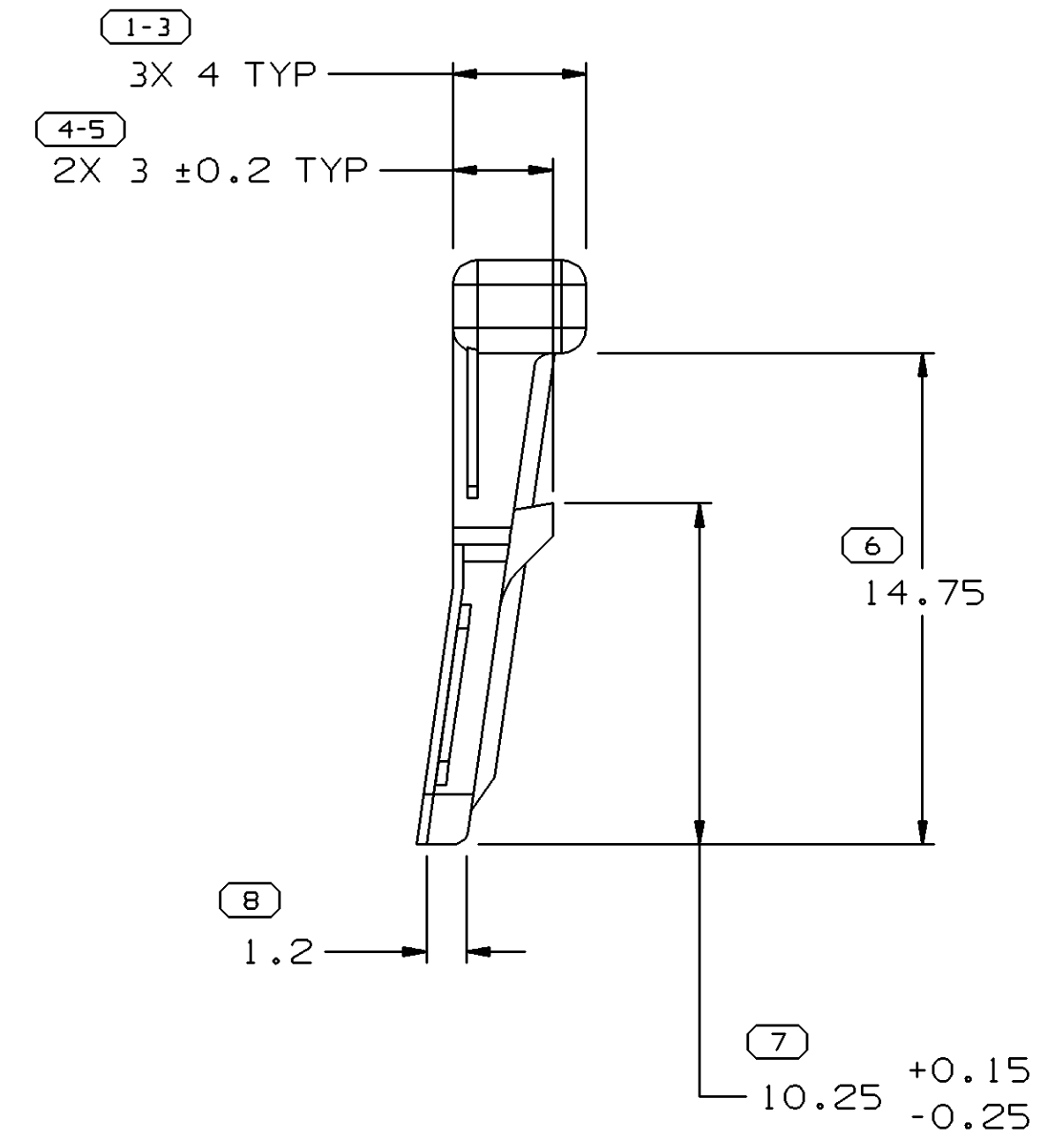


SYMBOL DEFINITION		MISSING NUMBERS	
THE NUMBER INSIDE THE SYMBOL CORRESPONDS TO THE NUMBER ON THE INSPECTION REPORT FOR THIS DRAWING/PART NUMBER	TOTAL NO. OF SYMBOLS ON DRAWING	15	17,
	LAST NO. USED	22	

DWO STATUS					REVISION HISTORY			AUTH	DR	APVD
DATE	STG	REV	W/P	CHG	ZONE					
30SE99	R	06	-	-		REDRAWN TO PD & ADDED RIBS 15 PLCS!	195261	JGR	CMP	OG
30SE99	R	06	AA	-		UPDATED PDM ATTRIBUTES	196847	JGR	CMP	OG
22FE00	R	07	-	-		REVISED LOCK RAMP WIDTH & LOCK RAMP POSITION	198192	JGR	CMP	OG
22FE00	R	07	AA	-		30.1 WAS 29.9	199271	JGR	CMP	OG
15AU01	R	07	AB	-		REVISED DIMENSIONS (4 PLCS)	212925	HH	EOV	RC
15AU01	R	07	AC	-		DIM 3 ±0.2 TYP WAS 3 ±0.1 TYP	212963	HH	EOV	RC
23AU04	R	07	AD	-		DIM 256 WAS ±.10, DIM 257 WAS ±.10	258086	LMB	LMB	TM



NOTES

- UNLESS OTHERWISE SPECIFIED AND/OR INDICATED: DIMENSIONS ARE TO FACE OF VIEW SHOWN AND AUTOMATICALLY ROUNDED BY COMPUTER FOR INSPECTION. (SEE MATH MODEL FOR PRECISE DIMENSIONS.) FOR ALL OTHER DIMENSIONS NOT SHOWN BUT REQUIRED FOR TOOL BUILD, SEE MATH MODEL FOR PRECISE TOOL PATH DATA.
- MATING COMPONENTS OR EQUIVALENT: CONNECTOR 12066162

DIMENSIONAL RANGE (MM)	TOLERANCE UNLESS OTHERWISE SPECIFIED	CHART ET
FROM 0 TO 20	±0.15	1
20 TO 30	±0.2	2
30 TO 70	±0.3	3
70 TO 100	±0.4	4
100 TO 150	±0.5	5
150 TO 200	±0.6	6
200 TO 250	±0.8	7
250 TO 300	±1	8
300 TO 400	±1.2	9

DWO TYPE: PART DRAWING	
STYLE: 1.961	DISTR CODE: D
UNLESS OTHERWISE SPECIFIED THIS DOCUMENT IS IN ACCORDANCE WITH ASME Y14.5M-1994 AS AMENDED BY THE 2003 ADDENDUM. DIMENSIONS AND TOLERANCING ADDENDUM-2003. SEPARATE PATTERNING OF FEATURES MAY BE OBTAINED SEPARATELY REGARDLESS OF DATUM REFERENCES.	
ALL DIMENSIONS ARE IN MILLIMETERS	
REFERENCE: (20) PROCESS SENSITIVE DIMENSION DIMENSIONS ENCLOSED IN () INDICATE REFERENCE DIMENSIONS AND NO TOLERANCE LIMITS ARE ESTABLISHED	
THIRD ANGLE PROJECTION	DO NOT SCALE
USE MATH DATA	UNGRAPHS

DELPHI
DELPHI PACKARD ELECTRIC SYSTEMS
WARREN, OH

DR	DATE
APVD1 J.REEVES	03 JUL 86
APVD2 J.COLDSNOW	23 JUL 86
APVD3 R.BLASKO	28 JUL 86
APVD4	
APVD5	

SUBSTANCES OF CONCERN AND RECYCLED CONTENT PER DELPHI 10949001

MATERIAL: M3592012

DRAWING NAME: LOCK TPA M/P 280 GRA LT

DRAWING NUMBER: 12066163

SIZE: AO	SCALE: 5:1	FRAME NO: 1	SHEET NO: 1	TSTG REV: R	REV: 07	N/P: AD
----------	------------	-------------	-------------	-------------	---------	---------

X-ON Electronics

Largest Supplier of Electrical and Electronic Components

Click to view similar products for [Automotive Connectors](#) category:

Click to view products by [APTIV](#) manufacturer:

Other Similar products are found below :

[003-018-000](#) [60403001](#) [60993906-B](#) [629515004020001](#) [M902-2131](#) [M902-2161](#) [72.330.1035.1](#) [73.353.4028.0](#) [F119300-B](#) [F166900](#)
[F258300-B](#) [F358300-B](#) [F407400](#) [F444110](#) [F487000](#) [F509500B-B](#) [827153-1](#) [8N1515-32-24P](#) [9-1326729-8](#) [925474-1](#) [928905-1](#) [964562-4](#)
[968782-1](#) [GT17SA-8DS-HU](#) [98891-1012](#) [98947-1016](#) [12004475-L](#) [12010290](#) [12010309-B](#) [12015454](#) [12020219-B](#) [12020308](#) [12041318-B](#)
[12052225-L](#) [12052466](#) [12059125](#) [12064869](#) [12004327-B](#) [12010503-B](#) [12015308](#) [12015384](#) [12015909](#) [1-21030-1](#) [12041254](#) [12041318](#)
[12047946-B](#) [12047957](#) [12047957-L](#) [12059473](#) [12066261](#)