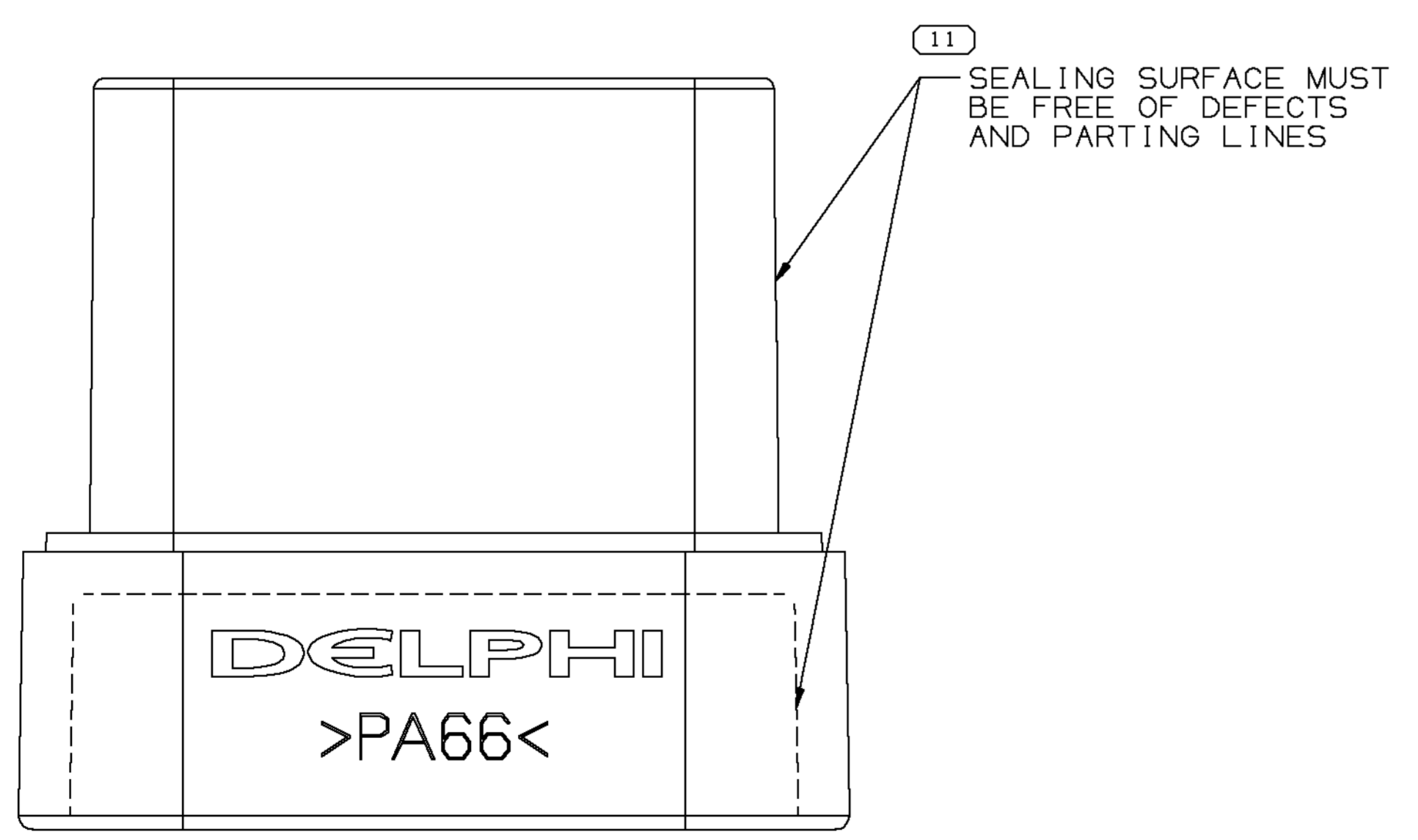
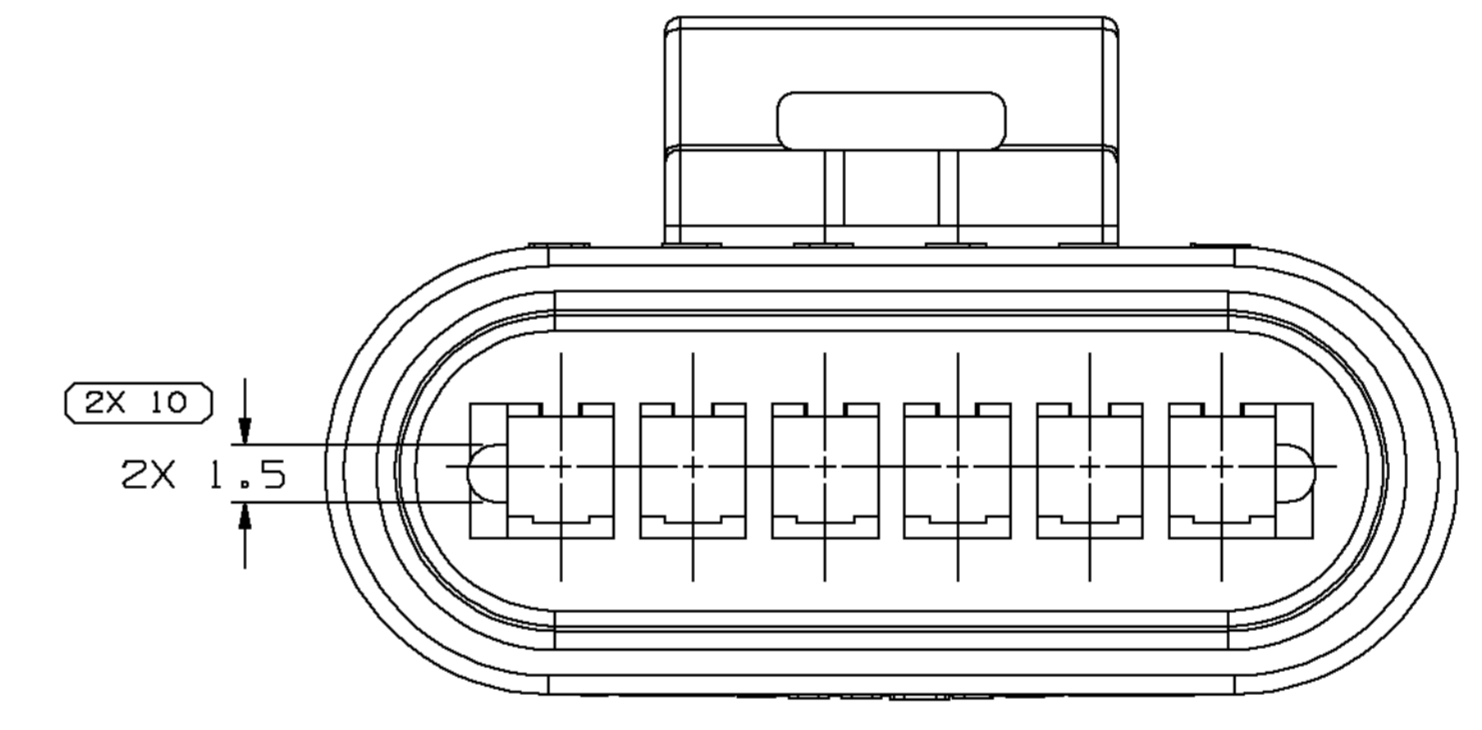
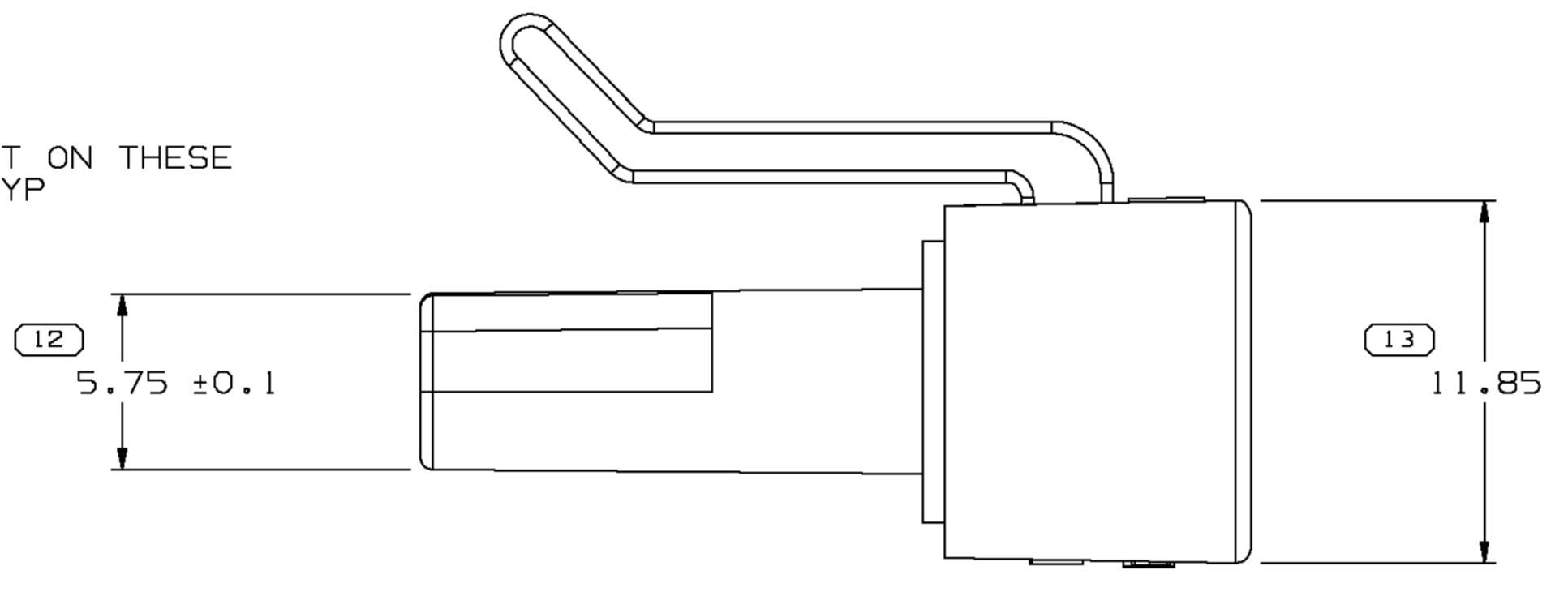
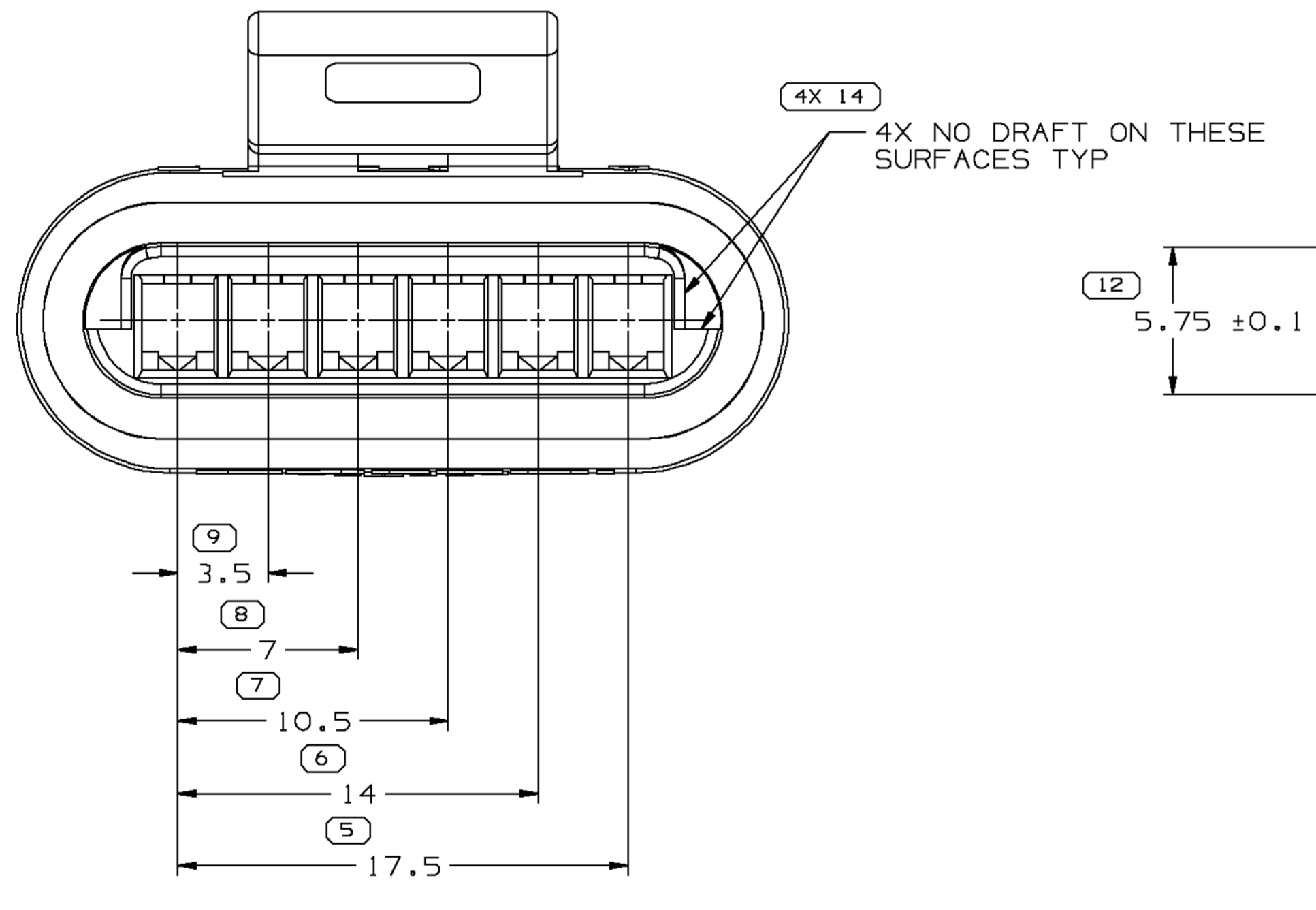
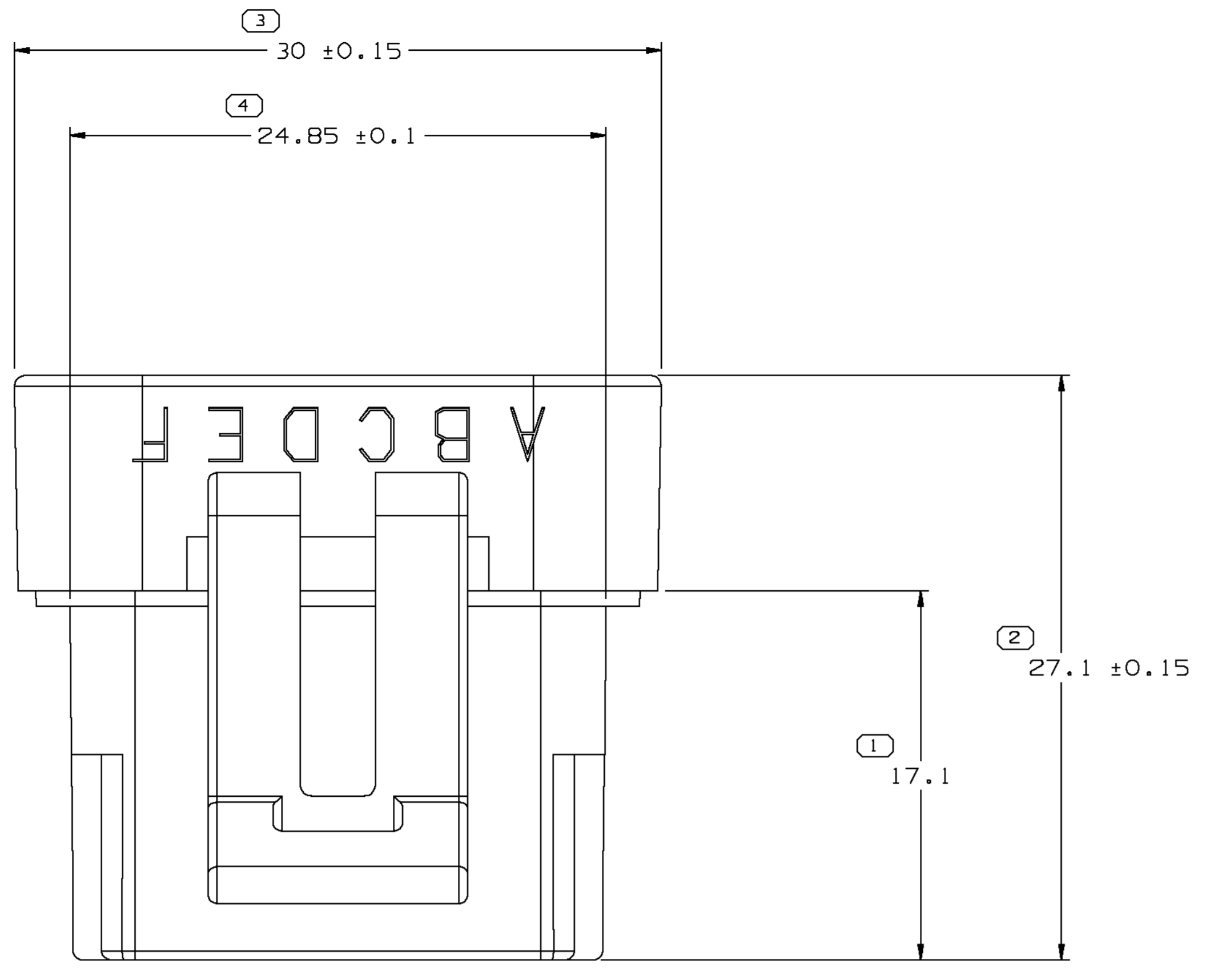
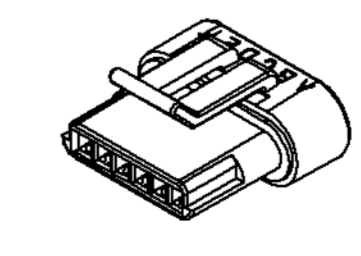


SYMBOL DEFINITION		MISSING SYMBOLS	
A DIMENSION WITHOUT AN INSPECTION REPORT SYMBOL DOES NOT REQUIRE INSPECTION. IT MAY BE CONTROLLED ON THE INDIVIDUAL COMPONENT DRAWING.	TOTAL NO OF INSPECTIONS REQUIRED	NO MISSING SYMBOL NUMBER	
	18		
	LAST NO. USED		
	14		

DWG STATUS					REVISION HISTORY		AUTH	DR	APVD	APVD
DATE	STG	REV	W/P	CHG	ZONE				1	2
18AP02	R	A1	-	-		REDRAWN TO PD	223665	RH	RH	OMC
25FE03	R	A2	-	-		UPDATED PDM ATTRIBUTES	237471	RH	RH	OMC



- NOTES
- UNLESS OTHERWISE SPECIFIED AND/OR INDICATED: DIMENSIONS ARE TO FACE OF VIEW SHOWN AND AUTOMATICALLY ROUNDED BY COMPUTER FOR INSPECTION CHARACTERS AS SHOWN TO BE LOCATED ON ANY EXTERIOR SURFACE. OPTIONAL CONSTRUCTION TO BE NO MATERIAL RECYCLING CODE.
 - MATERIAL RECYCLING CODE >PA66< PER SAE J1344. (2.3)X(0.1) RAISED CHARACTERS AS SHOWN TO BE LOCATED ON ANY EXTERIOR SURFACE. OPTIONAL CONSTRUCTION TO BE NO MATERIAL RECYCLING CODE.
 - THIS PART IS CONTROLLED FOR AUTOMATIC FEEDING AS DENOTED ON DRAWING WITH ▲.
 - MATING COMPONENTS OR EQUIVALENT: CONNECTOR AND GASKET ASM. 12064915
 - THIS PART ACCEPTS THE FOLLOWING COMPONENTS OR EQUIVALENT: TERMINAL 12047680
MAX INSULATION CRIMP MUST BE LESS THAN 2.54 HIGH AND 2.68 WIDE.
MAX CABLE O.D. MUST BE LESS THAN 2.54
CONNECTOR SEAL 12059226
CABLE SEAL 12052929
SEE DETAIL DRAWING FOR COMPATIBLE O.D. RANGE
 - (2.3)X(0.1) RAISED DELPHI CORPORATE BRAND TO BE LOCATED ON ANY EXTERIOR SURFACE, PREFERABLY VISIBLE AT FINAL ASSEMBLY. OPTIONAL CONSTRUCTION TO BE "PED" OR NO LOGO.
 - REINSHAGEN P/N AK-7095.
 - THIS COMPONENT IS TOoled AT REINSHAGEN. PHYSICAL CHANGES TO THIS PART MUST BE APPROVED BY REINSHAGEN COMPONENT ENGINEERING.



DIMENSIONAL RANGE (MM)		CHART		ET	
FROM	TO	1	2	3	4
0	20	±0.15	±0.2	±0.3	±0.4
20	30	±0.2	±0.3	±0.4	±0.5
30	70	±0.3	±0.4	±0.5	±0.6
70	100	±0.4	±0.5	±0.6	±0.8
100	150	±0.5	±0.6	±0.8	±1
150	200	±0.6	±0.8	±1	±1.2
200	250	±0.8	±1	±1.2	
250	300	±1	±1.2		
300	400	±1.2			

DWO TYPE: PART DRAWING	
STYLE: 3,122	DISTR CODE: D
VOLUME (COP): 6901	
UNLESS OTHERWISE SPECIFIED	
THIS DOCUMENT IS IN ACCORDANCE WITH ASME Y14.5M-1994 AS AMENDED BY THE 2003 DIMENSIONING AND TOLERANCING ADDENDUM - 1997. ALL GEOMETRIC TOLERANCES AND RELATED DATUMS APPLY TO ALL DIMENSIONS UNLESS OTHERWISE SPECIFIED.	
MATERIAL DOES NOT APPLY WHEN RELATIONSHIP BETWEEN FEATURES IS ESTABLISHED BY ORIENTATION OR LOCATION TOLERANCES. SEPARATE POSITION CALLOUTS MAY BE BASED SEPARATELY, REGARDLESS OF DATUM REFERENCE.	
ALL DIMENSIONS ARE IN MILLIMETERS.	
REFERENCE: 12040944	THIRD ANGLE PROJECTION
DO NOT SCALE	USE MATH DATA

DELPHI	
DELPHI PACKARD ELECTRIC SYSTEMS WARREN, OH	
OR	DATE
APVD1 R. HERMOSILLO	18AP02
APVD2 R. HERMOSILLO	18AP02
APVD3 G. MACIAS	18AP02
APVD4	
APVD5	
SUBSTANCES OF CONCERN AND RECYCLED CONTENT PER DELPHI 10949001	
MATERIAL: M3592001 PA66 HS 1M BLK	
DRAWING NAME: CONN 6F M/P 150 P25	
DRAWING NUMBER: 12066316	
SHEET NO: 1 OF 1	REV: R2

X-ON Electronics

Largest Supplier of Electrical and Electronic Components

Click to view similar products for [Automotive Connectors](#) category:

Click to view products by [APTIV](#) manufacturer:

Other Similar products are found below :

[003-018-000](#) [60403001](#) [60993906-B](#) [629515004020001](#) [M902-2131](#) [M902-2161](#) [72.330.1035.1](#) [73.353.4028.0](#) [F119300-B](#) [F166900](#)
[F258300-B](#) [F358300-B](#) [F407400](#) [F444110](#) [F487000](#) [F509500B-B](#) [827153-1](#) [8N1515-32-24P](#) [9-1326729-8](#) [925474-1](#) [928905-1](#) [964562-4](#)
[968782-1](#) [GT17SA-8DS-HU](#) [98891-1012](#) [98947-1016](#) [12004475-L](#) [12010290](#) [12010309-B](#) [12015454](#) [12020219-B](#) [12020308](#) [12041318-B](#)
[12052225-L](#) [12052466](#) [12059125](#) [12064869](#) [12004327-B](#) [12010503-B](#) [12015308](#) [12015384](#) [12015909](#) [1-21030-1](#) [12041254](#) [12041318](#)
[12047946-B](#) [12047957](#) [12047957-L](#) [12059473](#) [12066261](#)