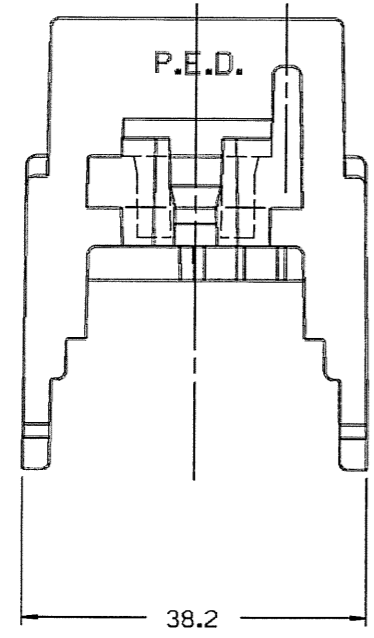
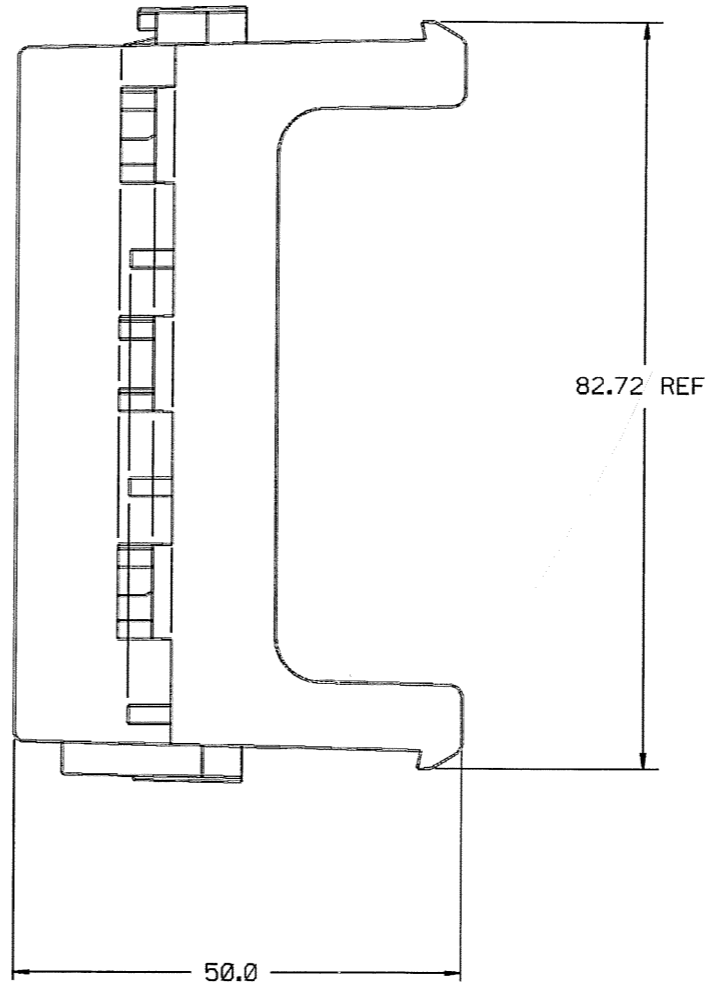
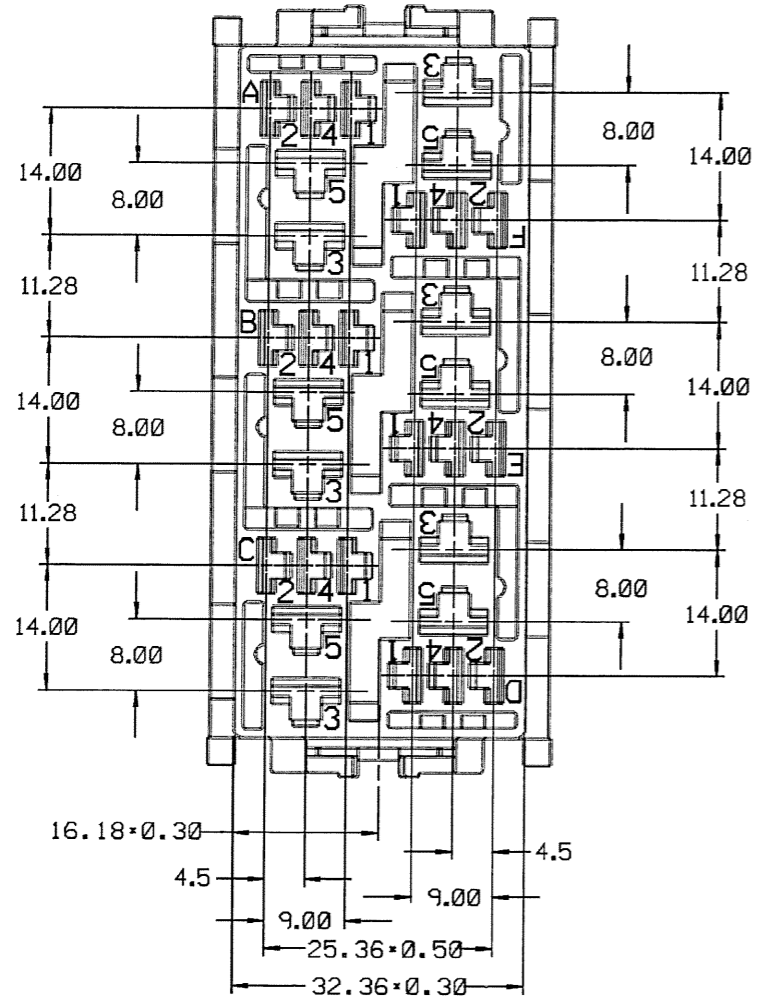


PACKARD ELECTRIC DIVISION  
GENERAL MOTORS CORPORATION  
WARREN, OHIO

**D** THIS DRAWING AND DESIGN HEREON CONSTITUTES A PROPRIETARY DESIGN OF PACKARD ELECTRIC DIVISION AND IS NOT TO BE DUPLICATED OR REPRODUCED WITHOUT AUTHORITY OF PACKARD ELECTRIC DIVISION.

DO NOT SCALE



- NOTES**
1. DIMENSIONS ARE TO FACE OF VIEW SHOWN UNLESS OTHERWISE INDICATED.
  2. CAVITIES A3,A5,B3,B5,C3,C5,D3,D5,E3,E5,F3,&F5 ARE IDENTICAL, EXCEPT AS SHOWN, AND ACCEPT 12015869 TERMINAL OR EQUIVALENT. MAX INSULATION CRIMP MUST BE LESS THAN 5.65 HIGH AND 7.50 WIDE.
  3. THIS PART USES 12077573 COVER OR EQUIVALENT.
  4. THIS PART USES COMB 12077572 OR EQUIVALENT, 2 REQ'D.
  5. THIS PART MATES WITH MOUNTING BASE 12084910 OR EQUIVALENT.
  6. CAVITIES A1,A2,A4,B1,B2,B4,C1,C2,C4,D1,D2,D4,E1,E2,E4,F1,F2,&F4 ARE IDENTICAL EXCEPT AS SHOWN, AND ACCEPT 12065892 TERMINAL OR EQUIVALENT. MAX INSULATION CRIMP MUST BE LESS THAN 3.52 HIGH AND 6.00 WIDE.
  7. SEALING CODE 0.
  8. PLATED TERMINALS ARE REQUIRED TO ENSURE ADEQUATE RELAY RETENTION IN ANY APPLICATION WHICH POSITIONS THE RELAYS FACING DOWN.
  9. MATERIAL RECYCLING CODE PER ISO 11469. (2.3)X(0.1) CHARACTERS AS SHOWN TO BE LOCATED ON ANY EXTERIOR SURFACE. OPTIONAL CONSTRUCTION TO BE NO MATERIAL RECYCLING CODE.
  10. (2.3)X(0.1) RAISED DELPHI CORPORATE BRAND TO BE LOCATED ON ANY EXTERIOR SURFACE, PREFERABLY VISIBLE AT FINAL ASSEMBLY. OPTIONAL CONSTRUCTION TO BE "PED" OR NO LOGO.

DATE	SYM	REVISION RECORD	AUTHORITY	DR	CK
15AP88	A	PART NO. WAS PE008292 & RELEASED	880005	DP	JC
10AU88	B	REVISED PICTURE	120671	GF	JC
27JA89	C	REVISED PICTURE	123978	DP	DP
06OC89	C1	REVISED GRAPHICS, 16.18 x 0.30 WAS 16.18, 25.36 x 0.50 WAS 25.36, 32.36 x 0.30 WAS 32.36, 4.5 WAS 4.50 2 PLCS	129751	SC	
29MR06	C2	MAT'L SPEC WAS M520015 & ADDED			
		NOTES 9 AND 10	279128	JT	FR

PART NO.  
**1207 7571**

PED / INTERGRAPH MICROSTATION		FILE SPEC: ****USER**** DGN+SPECIFICATION***** ****SYTIME****
THIRD ANGLE PROJECTION		<b>METRIC</b> DIMENSIONS ARE IN MILLIMETERS UNLESS OTHERWISE SPECIFIED.
CODE NO. 6900	TOLERANCE UNLESS OTHERWISE SPECIFIED DECIMAL: ONE PLACE ± 0.3 TWO PLACE ± 0.15 ANGULAR ± 2°	
Q.C.	SCALE NONE	DR. DAVE PRESTOPINE 15AP88
DWG. DATE 20JN86	EST. NO.	CK. J. COLDSNOW DATE 17MY88
REFERENCE NO. 12077571 *R* SIZE	APPR. S.A. NORLING	DATE 17MY88
	APPR. R.A. PETROSKY	DATE 17MY88
MATERIAL SPEC. M3592001 PA66 HS IM BLK		
NAME CONVENIENCE CTR		
PART NO. <b>1207 7571</b>	SIZE <b>C</b>	OUTLINE DRAWING

## X-ON Electronics

Largest Supplier of Electrical and Electronic Components

*Click to view similar products for [Automotive Connectors](#) category:*

*Click to view products by [APTIV](#) manufacturer:*

Other Similar products are found below :

[003-018-000](#) [60403001](#) [60993906-B](#) [M902-2131](#) [M902-2161](#) [72.330.1035.1](#) [73.353.4028.0](#) [F119300-B](#) [F166900](#) [F258300-B](#) [F358300-B](#)  
[F407400](#) [F444110](#) [F487000](#) [F509500B-B](#) [827153-1](#) [8N1515-32-24P](#) [9-1326729-8](#) [925474-1](#) [928905-1](#) [964562-4](#) [968782-1](#) [GT17SA-8DS-](#)  
[HU](#) [98891-1012](#) [98947-1016](#) [12004475-L](#) [12010290](#) [12010309-B](#) [12015454](#) [12020219-B](#) [12020308](#) [12041318-B](#) [12052225-L](#) [12052466](#)  
[12059125](#) [12064869](#) [12004327-B](#) [12010503-B](#) [12015308](#) [12015384](#) [12015909](#) [1-21030-1](#) [12041254](#) [12041318](#) [12047946-B](#) [12047957](#)  
[12047957-L](#) [12059473](#) [12066261](#) [12110546](#)